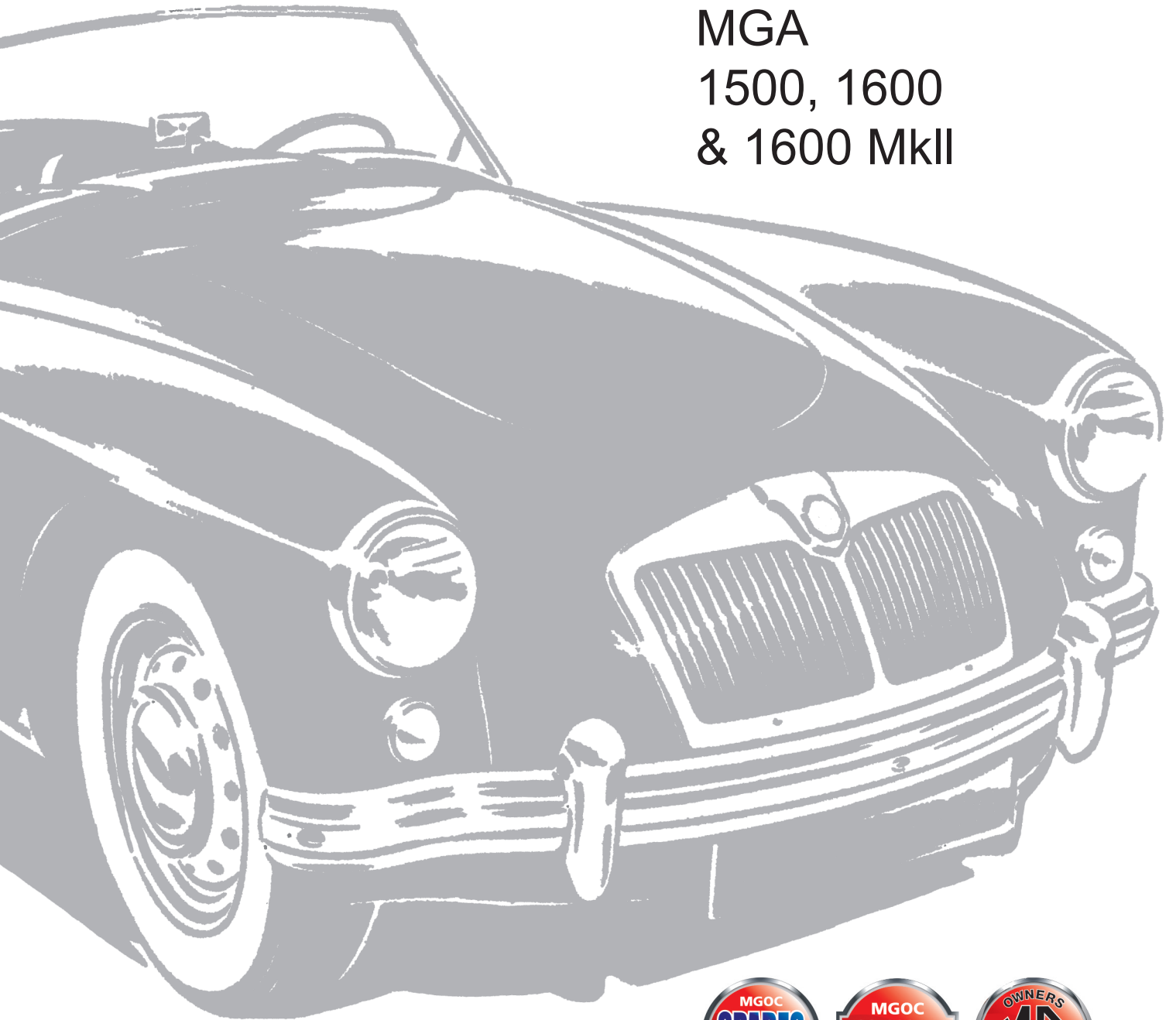




Parts Catalogue



MGA
1500, 1600
& 1600 MkII



Buy online at... www.mgocspares.co.uk

MGOC Spares & Accessories

A department of the MG Owners Club



Thank you for joining the MGOC Spares & Accessories Club, featuring our unrivalled range of quality parts and accessories. We are sure that you will find this major club benefit valuable when ordering parts and maintaining your MG.

This CD contains the following:

- Fully illustrated Parts Catalogue MGA 1500, 1600 and 1600 MkII models 1955 to 1962 (not including Twin Cam or Deluxe)
- The MGOC range of original MG parts, MGA performance upgrades and optional accessories
- Hot links to buy online at the foot of each parts list, take you to the corresponding web page

OUR SERVICE. We pride ourselves on offering the finest quality MG components available and continually strive to maintain our 5 Star level of service.

Our MGOC technical telephone personnel are MG enthusiasts, best placed to assist with any question relating to our products.

For full details of our terms & conditions of sale, warranty, returns, exchanges and exchange deposits [Click here](#).

Sales & Ordering

Tel: +44 (0)1954 230928 or +44 (0)1954 231318

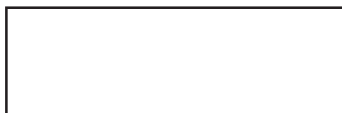
Fax: +44 (0)1954 231923 or +44 (0)1954 231073

Email: sales@mgoemspares.co.uk

**MGOC Spares & Accessories,
Octagon House, Swavesey,
Cambridge
CB24 4QZ**

© 20%, MGOC Spares Ltd

No part of this CD may be reproduced unless with prior written consent of MGOC Spares Ltd



MGOC Spares & Accessories is a department of MG Owners Club

Continue ►



MG trademark reproduced under BMH licence



MGA
1500, 1600
& 1600 MkII

ENGINE:

ENGINE TOP

ENGINE BOTTOM

HEAD ASSEMBLY

WATER PUMP/FANS

OIL FILTERS/COOLERS

ENGINE ELECTRICS

ENGINE CONTROLS

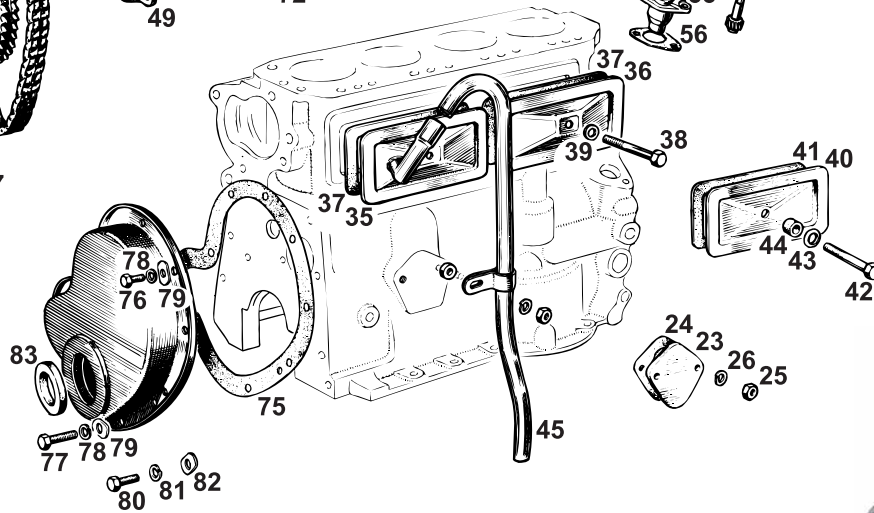
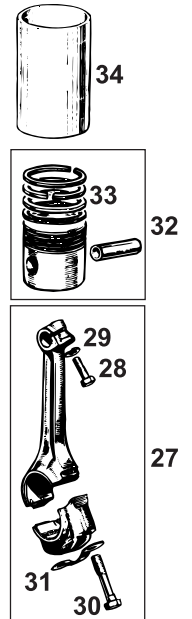
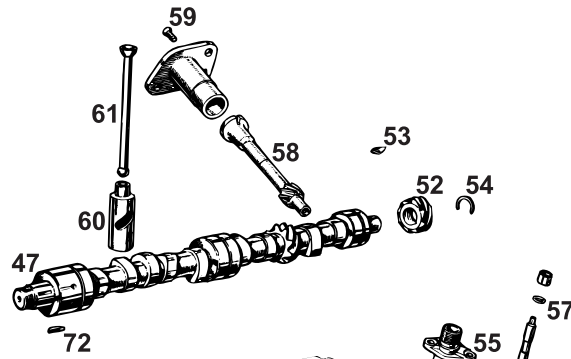
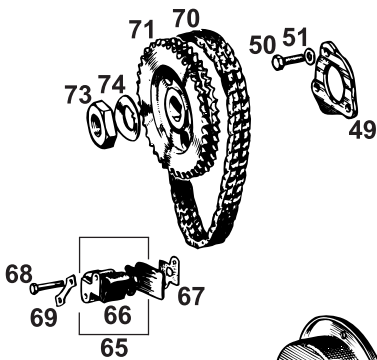
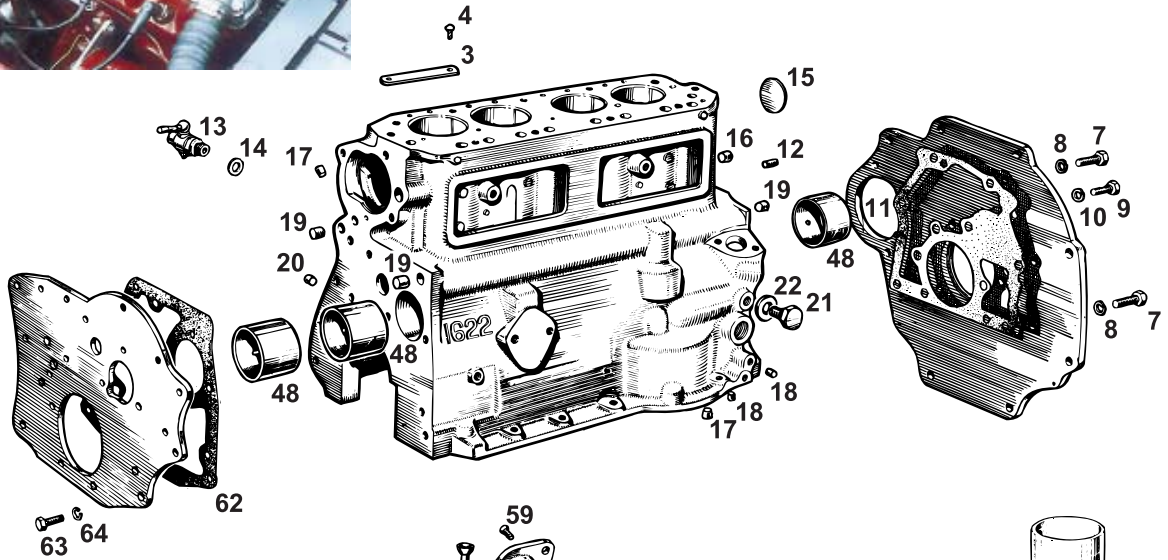
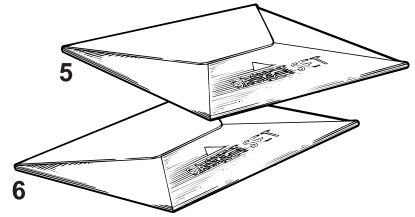
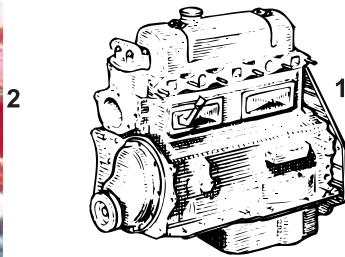
ENGINE MOUNTINGS



MGOC Spares & Accessories, Octagon House, Swavesey, Cambridge CB24 4QZ
Tel: 01954 230928 and 01954 231318 Email: sales@mgocspares.co.uk



MGA
1500, 1600
& 1600 MkII



© 2007 MGOC Spares Ltd

Telephone: 01954 230928 Fax: 01954 231923, Email: sales@mgocspares.co.uk



MGA
1500, 1600
& 1600 MkII



1	48G362LF	Engine - 1500 - Lead Free - Exchange	... 1	1489cc (15GB/GD)
1	48G157LF	Engine - 1600 - Lead Free - Exchange	... 1	1588cc (16GA)
1	48G218LF	Engine - 1622 - Lead Free - Exchange	... 1	1622cc (16GC)

All standard engines listed are supplied less ancillaries (flywheel, starter motor, distributor, manifolds etc.). In some instances, due to a lack of serviceable core units, customers may be asked to provide their own units for reconditioning. Please contact our Spares Team for more information.

2	G545	Engine - 1500 - Club Stage 2 Performance	1
2	G546	Engine - 1600 - Club Stage 2 Performance	1
2	G547	Engine - 1622 - Club Stage 2 Performance	1

Stage 2 engines include engine backplate, modified camshaft, gas flowed cylinder head, balanced flywheel, clutch, pistons, conrods and crankshaft, vernier duplex timing gears and a choice of increased capacities. They are guaranteed for 12 months (unlimited mileage). Full spec sheets are available.

3	BML2070	Engine Number Plate - Blank 1
4	FAS2	Drive Screw - Number Plate 2
5	AJM104Z	Gasket Set - Cylinder Head (Top End)	... 1

Includes gaskets for cylinder head, manifold, carburetters, air filters, rocker cover, heater tap and thermostat, plus valve stem oil seals

6	GEG203Z	Gasket Set - Engine (Bottom End) 1
---	---------	----------------------------------	---------

Includes gaskets for front and rear engine plates, timing cover, oil pump and strainer, timing chain tensioner, sump, water pump, oil pipe adaptor and tappet chest covers, plus seals for main bearing caps, timing cover, oil drain plug and water drain tap.

7	SH606061	Screw - Backplate - 3/8 UNF 8
8	GHF332	Washer - Spring 8
9	GHF120	Screw - Backplate - 5/16 UNF 4
10	GHF333	Washer - Spring 4
11	12H768B	Gasket - Backplate 1
12	1K51	Dowel - Backplate to Block 2
13	3H576	Drain Tap 1

14	2K4975	Washer - Tap A/R
14	ARH517	Washer - Tap A/R

Use as many washers as required to shim the tap so that it points downwards.

15	2K8169	Welch Plug - Dished 4
----	--------	---------------------	---------

Qty 4 on 1622 from 16GC2327

16	12H1735	Plug - Oil Gallery 1/4
17	12H1736	Plug - Crankcase oil hole 2
18	6K899	Plug - Under Oil Relief Valve 2
19	12G3503	Plug - Oil Gallery 3
20	11G14	Plug - Chain Tensioner and Oil Filter Boss 2
21	53K2853	Drain Plug 1
22	6K638	Washer - Plug 1
23	2A265	Blanking Plate - Petrol Pump 1
24	12H1317	Gasket - Blanking Plate 1
25	GHF201	Nut 2
26	GHF332	Washer - Spring 2
27	12H93	Con Rod - 1 and 3 Cylinder 2
27	12H426	Con Rod - 1 and 3 Cylinder 2
27	12H91	Con Rod - 2 and 4 Cylinder 2
27	12H424	Con Rod - 2 and 4 Cylinder 2
28	51K1382	Pinch Bolt 4
28	51K1774	Pinch Bolt 4
29	GHF332	Washer - Spring 4
30	51K1388	Bolt - Con Rod 8
31	6K881	Tab Washer 4
32	1H1142	Piston - Set of 4 - 5 Ring Type 1
32	1H1178	Piston - Set of 4 - 3 Ring Type 1
32	12H178	Piston - Set of 4 - 5 Ring Type 1
32	12H173	Piston - Set of 4 - 3 Ring Type 1
32	12H437	Piston - Set of 4 - 5 Ring Type 1
33	RA8697	Piston Rings - Engine Set 1
33	-	Piston Rings - Engine Set 1
33	RA13666	Piston Rings - Engine Set 1
33	-	Piston Rings - Engine Set 1
33	RA16826	Piston Rings - Engine Set 1

15GB to 51767

15GB/GD, 16GA

16GC

15GB/GD, 16GA

16GC

15GB/GD, 16GA

16GC

15GB/GD (8.3:1 Comp Ratio) State Size Required STD/+20/+30/+40/+60

15GB/GD (9:1 Comp Ratio) State Size Required STD/+30/+60

16GA (8.3:1 Comp Ratio) State Size Required STD/+20/+30/+40/+60

16GA (9:1 Comp Ratio) State Size Required STD/+30/+60

16GC (8.3:1 Comp Ratio) State Size Required STD/+20/+30/+40

15GB/GD (8.3:1 Comp Ratio) State Size Required STD/+20/+30/+40/+60

15GB/GD (9:1 Comp Ratio) State Size Required STD/+20/+30/+40/+60

16GA (8.3:1 Comp Ratio) State Size Required STD/+20/+30/+40/+60

16GA (9:1 Comp Ratio) State Size Required STD/+20/+30/+40/+60

16GC (8.3:1 Comp Ratio) State Size Required STD/+20/+30/+40

9:1 compression ratio pistons and the rings to service them are sometimes not available 'off the shelf'. Please contact us for current availability.

34	1H641	Cylinder Liner 4
34	AEH656	Cylinder Liner 4
34	12H514	Cylinder Liner 4
35	12H950	Cover - Tappet Chest - Front 1
36	12H941	Cover - Tappet Chest - Rear 1
37	12A1139B	Gasket - Tappet Chest - Cork 2
38	BH605141	Bolt 2
39	2K4958	Washer - Fibre 2
40	12A1386	Cover - Tappet Chest - Rear 1
41	12A1175	Gasket - Tappet Chest - Rubber 1
42	SH605091	Screw 1
43	12A1177	Washer - Cup 1
44	12A1176	Oil Seal - Rubber 1
45	1H774	Breather Pipe - Straight 1
45	1H871	Breather Pipe - Curved Neck 1
46	G002	Engine Breather Filter - K&N 1
47	88G252	Camshaft 1
47	88G252E	Camshaft - Reground - Exchange 1

15GB/GD

16GA

16GC

Original convex type

For original convex covers

Alternative concave type

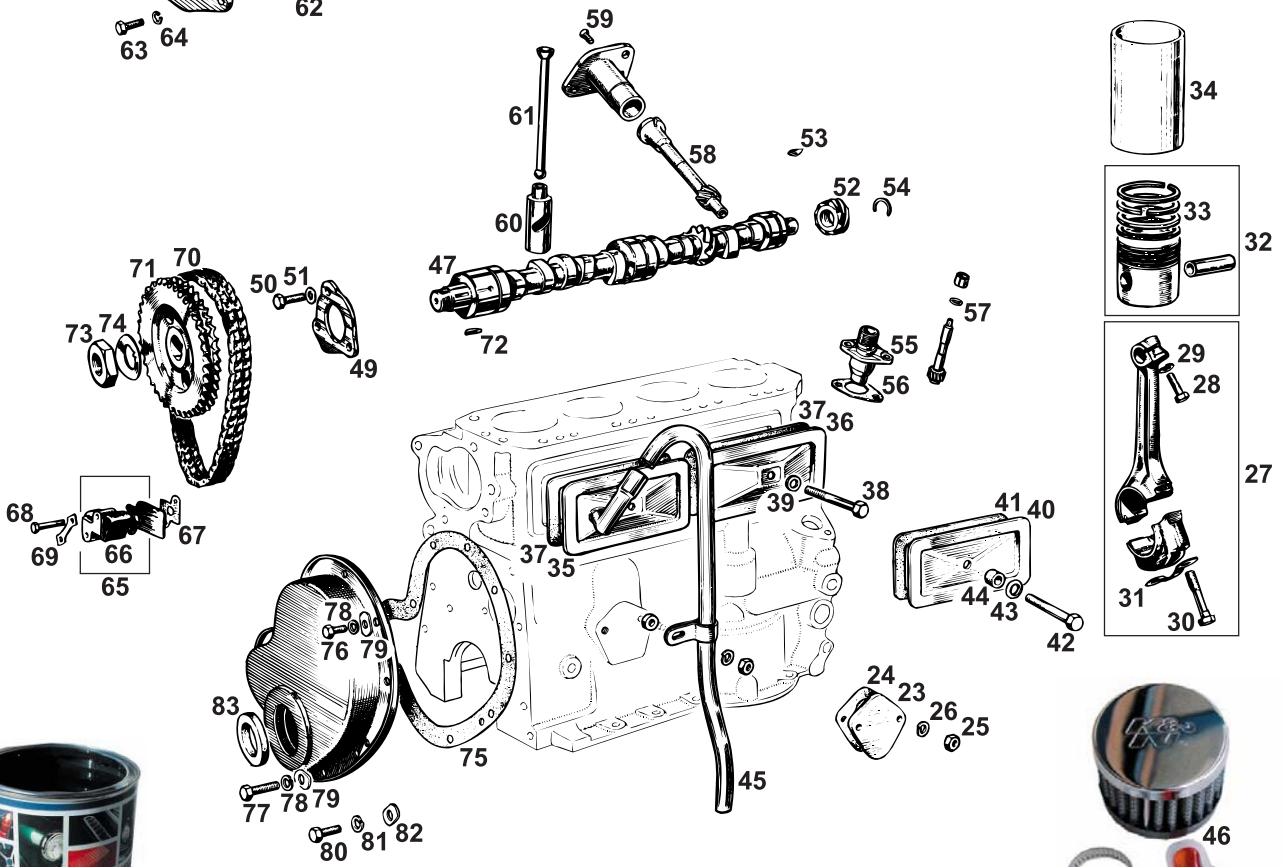
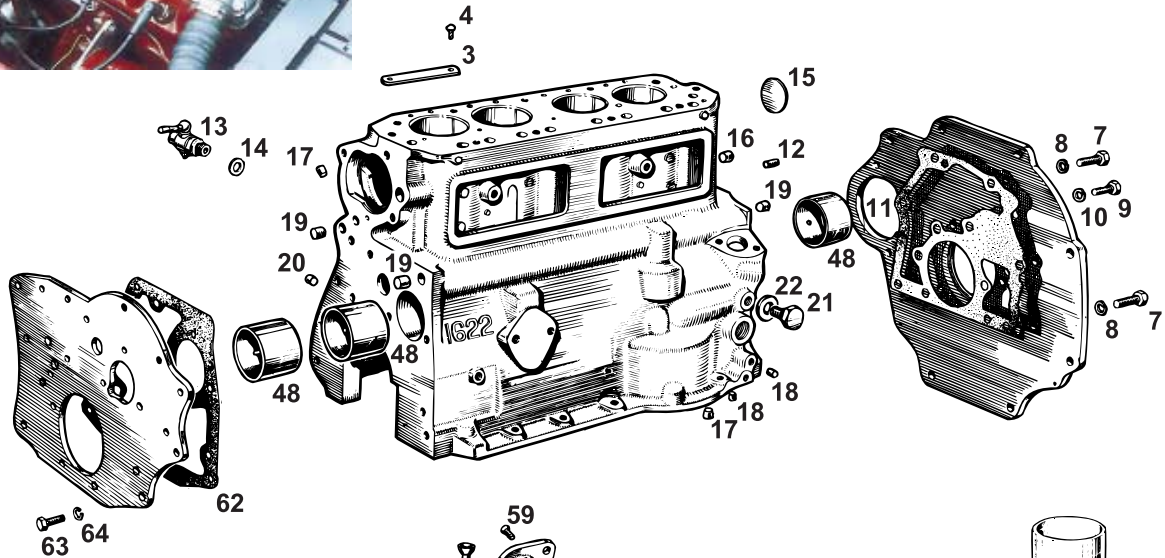
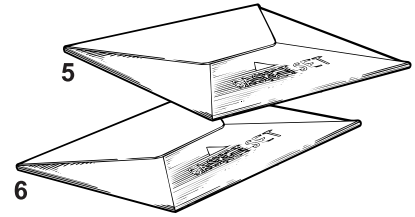
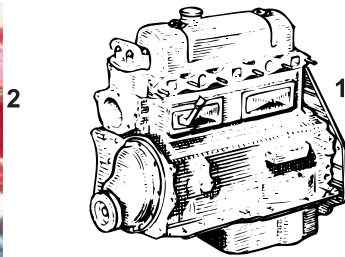
For alternative concave rear cover

1500 up to 15GB35808

1500 from 15GB35809 onwards, 1600, 1622



MGA
1500, 1600
& 1600 MkII



© 2007 MGOC Spares Ltd

Telephone: 01954 230928 Fax: 01954 231923, Email: sales@mgocspares.co.uk



MGA

1500, 1600

& 1600 MkII



48	BHM1212	Bearing Set - Camshaft	1
49	12H1673	Thrust Plate - Camshaft	1
50	GHF117	Screw	3
51	GHF321	Washer - Shakeproof	3
52	1H730	Gear - Tacho Drive	1
53	WKN304	Woodruff Key - Tacho Drive	1
54	1H605	Circlip - Tacho Drive	1
55	1H591	Housing - Tacho Drive Pinion	1
56	1G2401	Gasket - Housing	1
57	NKC105	Seal - Tacho Drive Pinion	1
58	12G4499	Spindle - Distributor	1
59	SF604041	Screw - Distributor Housing	1
60	12H3167	Cam Follower	8
61	11G241	Pushrod	8

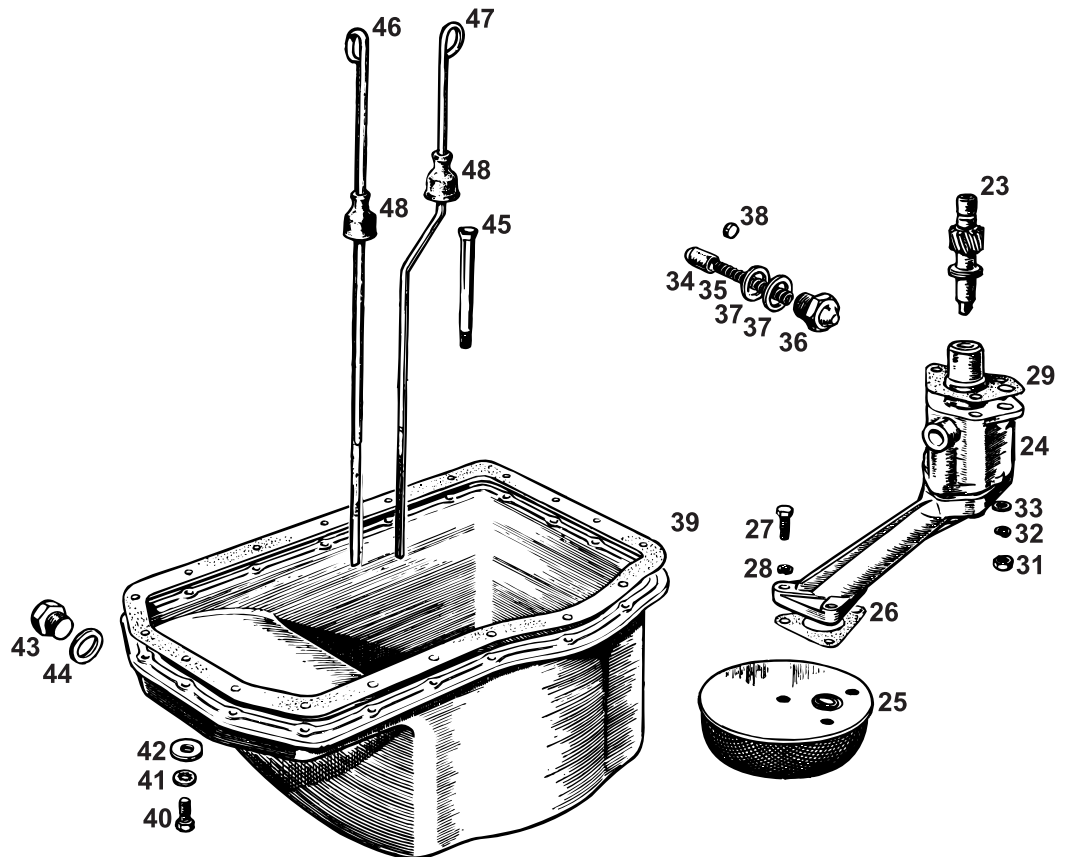
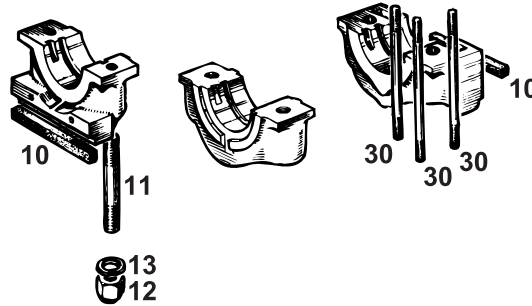
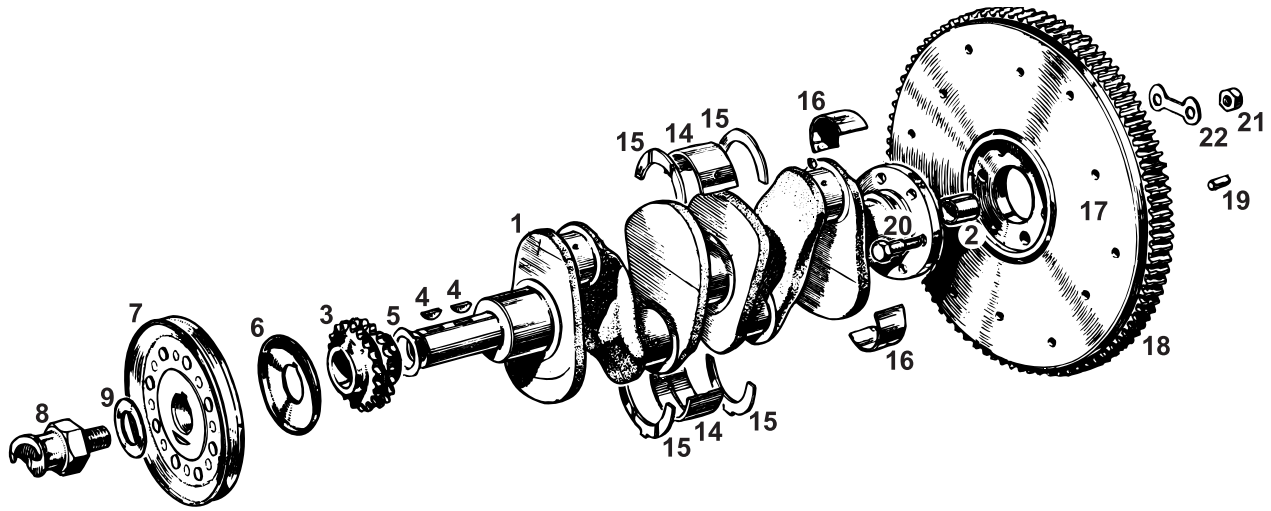
Tappets and pushrods originally fitted to early 1500 engines (before 15GB5504) are dimensionally different to the later items listed here and must be replaced in pairs.

62	12H1576B	Gasket - Engine Mounting Plate	1	
63	GHF120	Screw	5/3	} 5 fitted up to 15GB258, 3 from 15GB259 onwards
64	GHF332	Washer - Spring	5/3	
65	12H3292	Tensioner assembly - Timing Chain	1	} From 15GB259 onwards
66	17H31	Pad - Tensioner	1	
67	AEC339B	Gasket - Tensioner	1	
68	GHF102	Bolt	2	
69	AEC340	Locktab	1	
70	2H4905	Timing Chain	1	
71	11G203	Gear - Camshaft	1	
72	WKN505	Woodruff Key - Camshaft	1	
73	6K629	Nut - Camshaft	1	
74	2A759	Locktab	1	
75	12A956	Gasket - Timing Cover	1	Up to 15BG258
75	12H1319B	Gasket - Timing Cover	1	From 15BG259 onwards
76	SH604031	Screw - Timing Cover to Mounting Plate	3	
77	GHF117	Screw - Timing Cover to Bearing Cap	2	
78	GHF331	Washer - Spring	5	
79	2K5197	Washer - Oval	5	
80	GHF120	Screw - Timing Cover to Engine	4	
81	GHF332	Washer - Spring	4	
82	2K7440	Washer - Oval	4	
83	2K7140	Oil Seal - Timing Cover - Felt	1	15GB/GD, 16GA, 16GC up to 8262
83	88G561	Oil Seal - Timing Cover - Rubber	1	16GC from 8263 onwards
84	A030	Engine Paint - Black	A/R	
84	A031	Engine Paint - Red	A/R	
84	A032	Engine Paint - BMC Green	A/R	
84	A033	Engine Paint - MGC Green	A/R	
85	A140	Wellseal Jointing Compound - 100ml Tube	A/R	Non-hardening, non-flammable compound

Telephone: 01954 230928 Fax: 01954 231923, Buy Online: www.mgocspares.co.uk



MGA
1500, 1600
& 1600 MkII



© 2007 MGOC Spares Ltd

Telephone: 01954 230928 Fax: 01954 231923, Email: sales@mgocspares.co.uk



MGA
1500, 1600
& 1600 MkII



1	12H165E	Crankshaft - Reground - Exchange	1	1489cc (15GB/GD), 1588cc (16GA)	
1	8G2747SR	Crankshaft - Reground - Exchange	1	1622cc (16GC)	
2	1G765	Spigot Bush	1		
3	12A1553	Gear - Crankshaft	1		
4	2H326	Woodruff Key - Crankshaft	2		
5	2K6633	Shim - Packing	A/R		
6	1A1546	Oil Thrower	1		
6	12H1740	Oil Thrower	1	Alternative	
7	11G81	Pulley - Crankshaft	1		
8	1H765	Bolt - Crank Pulley - With Starter Dog	1		
9	12A398	Lock Washer - Crank Pulley	1		
10	12H1638	Cork Seal - Main Bearing Cap	2		
11	51K894	Stud - Main Bearing Cap	6		
12	LNN208	Nut	6		
13	ACA5521	Washer	6		
14	8G2288	Bearing Set - Main	1	15GB/GD, 16GA	State Size Required STD/10/20/30/40
14	8G2335	Bearing Set - Main	1	16GC	State Size Required STD/10/20/30/40
15	BHM1294	Thrust Washer Set	1		State Size Required STD/+3/+5/+10
16	8G2207	Bearing Set - Big End	1		State Size Required STD/10/20/30/40
17	1H651E	Flywheel and Ring Gear - Exchange	1		
18	1G2874	Ring Gear	1		
19	1G2984	Dowel - Clutch Cover	2		
20	51K1022	Bolt - Crank to Flywheel	6		
21	FNZ506	Nut - Flywheel	6		
22	6K26	Lock Washer - Flywheel	3		
23	CAM1039	Spindle - Oil Pump Drive	1		

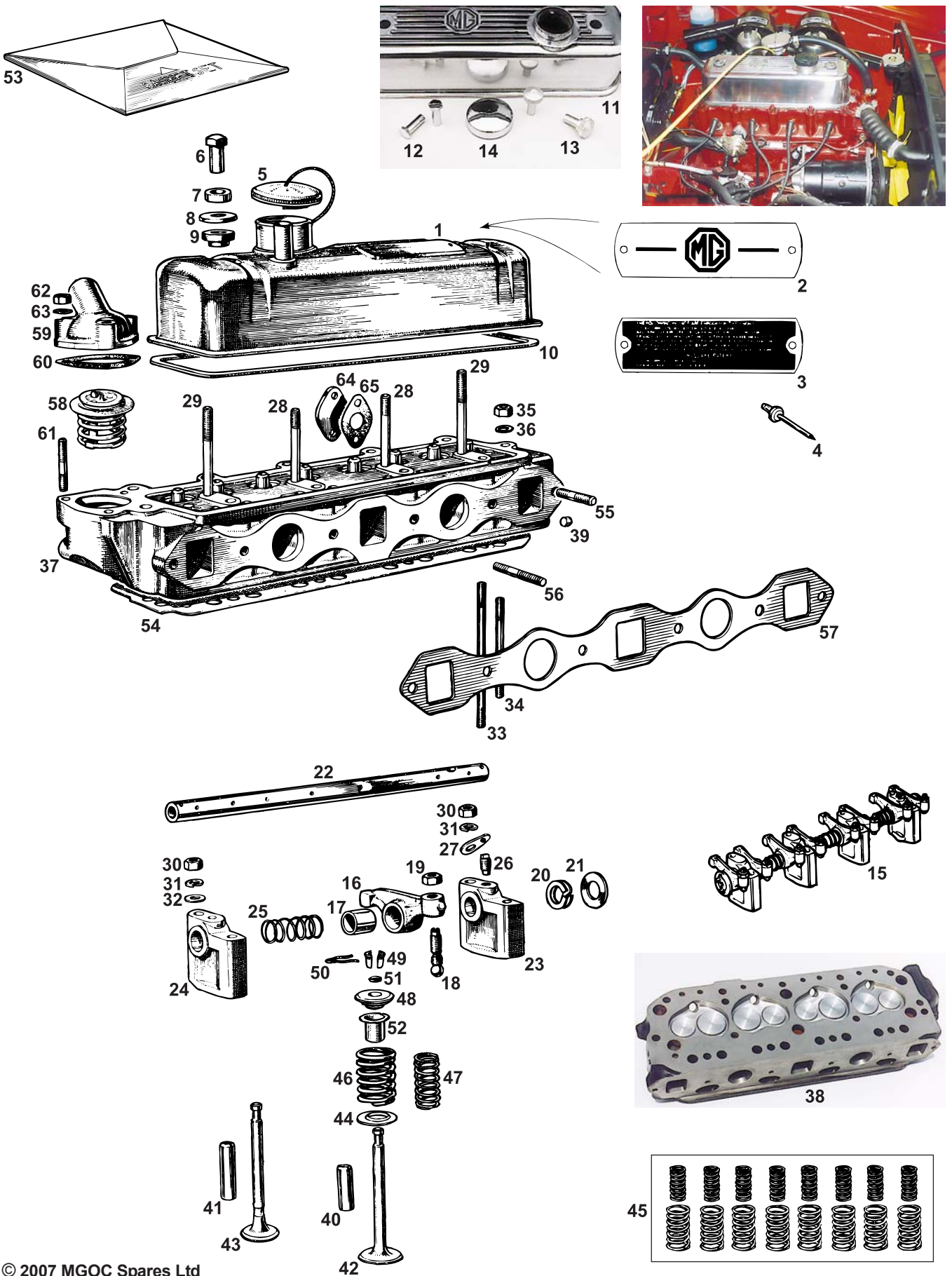
N.B. The oil pump originally fitted to early 1500 engines (before 15GB46342) is no longer available. It may be replaced by the 88G296 pump so long as the strainer and pump mounting studs listed here are also fitted.

24	88G296	Oil Pump	1	15GB46342 onwards, 15GD, 16GA, 16GC	
25	JAM2227	Strainer - Oil	1		
26	88G421	Gasket - Pump to Strainer	1		
27	SH604071	Screw	3		
28	GHF331	Washer - Spring	3		
29	88G420	Gasket - Pump to Block	1		
30	51K267	Stud - Oil Pump Mounting	3		
31	GHF201	Nut	3		
32	GHF332	Washer - Spring	3		
33	GHF301	Washer - Plain	3		
34	12H865	Plunger - Oil Pressure Relief Valve	1		
35	1H756	Spring - Oil Pressure Relief Valve	1		
36	12A1851	Cap - Oil Pressure Relief Valve	1		
37	6K431B	Washer - Cap	2/1	Reduce to quantity 1 to increase pressure	
38	AEH798	Packing Piece - Spring to Plunger	A/R	Alternative method of increasing oil pressure	
39	AJM503	Gasket - Sump	1		
40	SH604041	Screw	19		
41	GHF321	Washer - Shakeproof	19		
42	GHF300	Washer - Plain	19		
43	88G257	Drain Plug - Sump	1		
44	6K638	Washer - Drain Plug	1		
45	1B1063	Tube - Dipstick	1		
46	11G64	Dipstick - Straight	1	15GB/GD, 16GA up to 9648	
47	12H74	Dipstick - Angled	1	16GA from 9649 onwards, 16GC	
48	1B1735	Gaiter - Dipstick	1		

Telephone: 01954 230928 Fax: 01954 231923, Buy Online: www.mgocspares.co.uk



MGA
1500, 1600
& 1600 MkII



© 2007 MGOC Spares Ltd

Telephone: 01954 230928 Fax: 01954 231923, Email: sales@mgocspares.co.uk



MGA

1500, 1600

& 1600 MkII

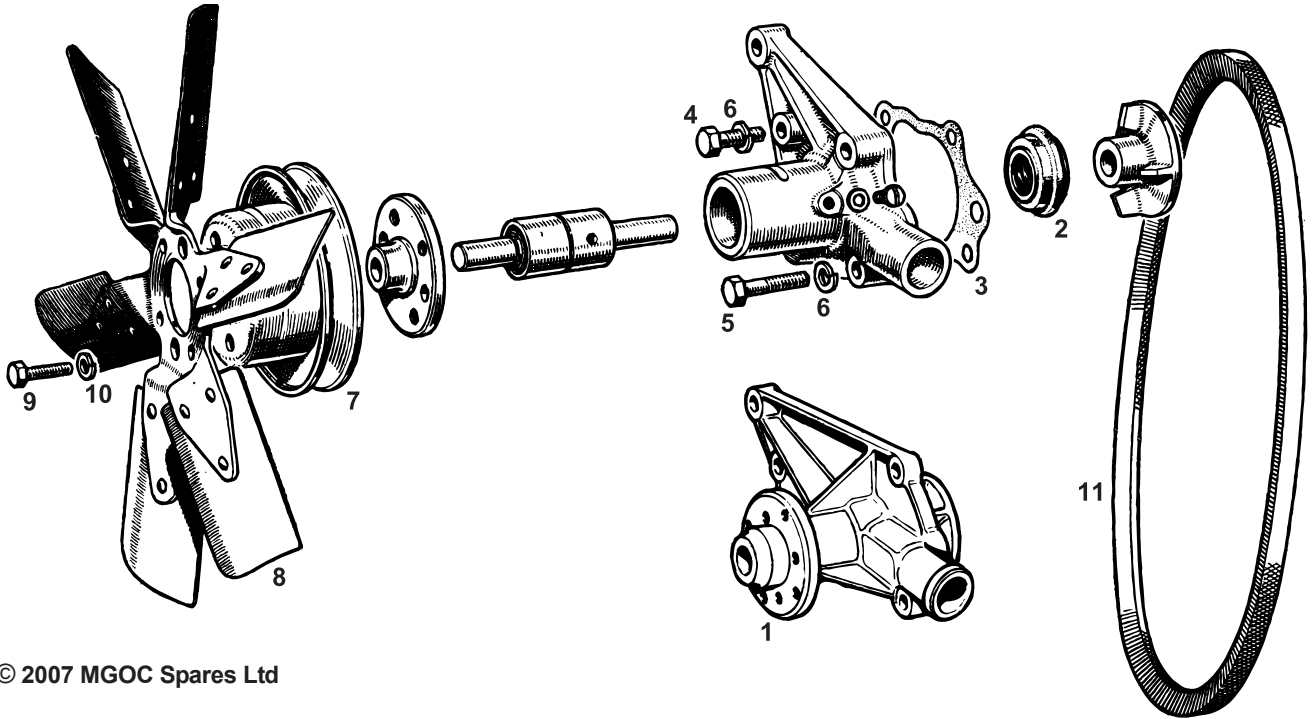


1	1H1339	Rocker Cover	1	
2	BML2006	Plate - Rocker Cover - 'MG'	1	
3	BML2007	Plate - Rocker Cover - Patent	1	
4	AHA9999	Rivet	4	
5	8G612	Oil Filler Cap	1	
6	2A150	Nut - Rocker Cover	2	
6	CAM6823	Nut - Rocker Cover - Chrome Plated	2	Alternative
7	1B2925	Spacer	2	
7	CAM6921	Spacer - Chrome Plated	2	Alternative
8	1A2156	Cup Washer	2	
8	12G679	Cup Washer - Chrome Plated	2	Alternative
9	12A1358	Bush - Rocker Cover	2	
10	AJM402	Gasket - Rocker Cover	1	
11	K042	Alloy Rocker Cover - 'MG'	1	
12	K048	Nut - Chrome - Alloy Rocker Cover	2	
13	K046	Nut - Knurled - Alloy Rocker Cover	2	Alternative
14	K045	Filler Cap - Chrome - Alloy Rocker Cover	1	
15	MRS1E	Rocker Assembly - Exchange	1	
16	12H3377	Rocker Arm	8	
17	1G2295	Bush - Rocker Arm	8	
18	12H3376	Adjusting Screw - Rocker Arm	8	
19	51K1178	Lock Nut	8	
20	1A2139	Washer - Double Coil - Rocker Shaft	2	
21	PWZ110	Washer - Plain - Rocker Shaft	2	
22	11G62	Rocker Shaft	1	
23	12H389	Pillar - Rocker Shaft - With Tapped Hole	1	
24	12H390	Pillar - Rocker Shaft - Plain	3	
25	6K871	Spring - Rocker Spacing	3	
26	2A258	Grub Screw - Shaft Locating	1	
27	2A259	Lock Plate - Grub Screw	1	
28	51K881	Stud - Short - Rocker Shaft	2	
29	51K893	Stud - Long - Rocker Shaft	2	
30	GHF201	Nut	4	
31	GHF332	Washer - Spring	4	
32	GHF301	Washer - Plain - Rocker Shaft	4	
33	51K281	Stud - Cylinder Head - Long	4	
34	51K282	Stud - Cylinder Head - Short	7	
35	51K1193	Nut - Cylinder Head	11	
36	12H2178	Washer - Cylinder Head	11	
37	48G222LF	Cylinder Head - Lead Free - Recon Exch	1	1489cc (15GB/GD), 1588cc (16GA). With guides, valves and springs
37	48G215LF	Cylinder Head - Lead Free - Recon Exch	1	1622cc (16GC). With guides, valves and springs
38	G560	Cylinder Head - Lead Free - Stage 2	1	1489cc (15GB/GD), 1588cc (16GA)
38	G565	Cylinder Head - Lead Free - Stage 2	1	1622cc (16GC)
Stage 2 heads are polished and ported to improve gas flow and fitted with valves, springs and bronze guides (customer's own unit is reworked).				
39	6K872	Plug - Cylinder Head Oil Feed	1	
40	12B1339	Valve Guide - Exhaust	4	
40	TMG10796	Valve Guide - Exhaust - Silicon Bronze	4	
41	12H2222	Valve Guide - Inlet	4	
41	TMG10795	Valve Guide - Inlet - Silicon Bronze	4	
42	1H1059	Valve - Inlet	4	1489cc (15GB/GD), 1588cc (16GA)
43	1H1323	Valve - Exhaust	4	
43	423-115	Valve - Exhaust - Stellite	4	1622cc (16GC)
42	12H435	Valve - Inlet	4	
43	12H436	Valve - Exhaust	4	
43	423-155	Valve - Exhaust - Stellite	4	
44	1H1321	Seat - Valve Spring	8	
45	12H176K	Spring Set - Valves	1	Standard
45	TMG10707	Spring Set - Valves	1	Competition
46	12H1679	Valve Spring - Outer	8	
47	12H176	Valve Spring - Inner	8	
48	12H992	Valve Cap	8	
49	1K800	Cotter	16	
50	1K372	Circlip	8	
51	AEK113	Oil Seal - Valve Stem	8	
52	1H725	Deflector - Oil	8	
53	AJM104	Head Gasket Set	1	
The head gasket set also includes rocker cover, manifold, thermostat, heater valve, carb mounting and air filter gaskets, plus valve stem oil seals.				
54	GEG303	Gasket - Head	1	
55	FHS2513	Stud - Manifold to Head - Outer	2	
56	FHS2515	Stud - Manifold to Head - Inner	4	
57	GUG4013MG	Gasket - Manifold	1	
58	GTS102	Thermostat - 74°C - Hot	1	
58	GTS104	Thermostat - 82°C - Standard	1	
58	GTS106	Thermostat - 88°C - Cold	1	
59	12H797	Housing - Thermostat	1	
60	GTG101	Gasket - Thermostat	1	
61	CHS2515	Stud - Thermostat Housing	3	
62	GHF201	Nut	3	
63	GHF301	Washer - Plain	3	
64	12H3868	Gasket - Heater Valve	1	
65	1G1282	Blanking Plate - Heater Valve	1	When heater not fitted

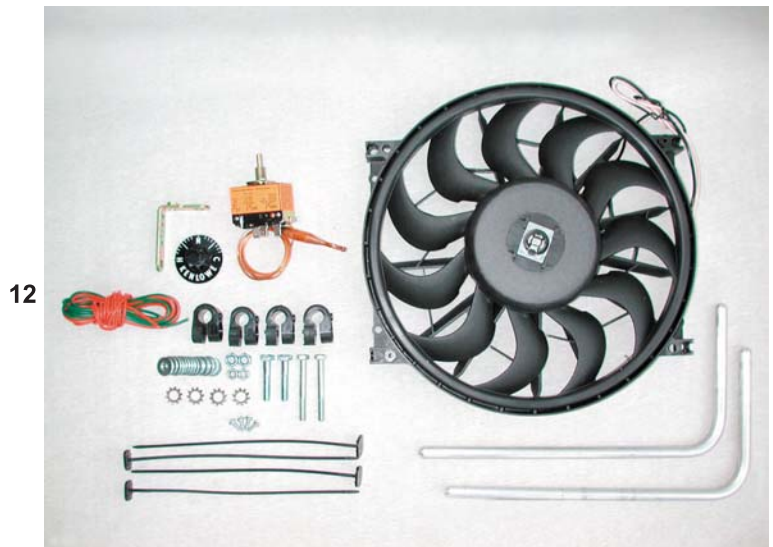
Telephone: 01954 230928 Fax: 01954 231923, Buy online: www.mgocspares.co.uk



MGA
1500, 1600
& 1600 MkII



© 2007 MGOC Spares Ltd



Telephone: 01954 230928 Fax: 01954 231923, Email: sales@mgocspares.co.uk



MGA
1500, 1600
& 1600 MkII



1	GWP103Z	Water Pump - Replacement Type1	
2	88G446	Seal - Water Pump - Rear1	For original cast iron single bearing pumps only
3	88G422	Gasket - Water Pump1	
4	SH605091	Screw - Short2	
5	BH605121	Bolt - Long2	
6	GHF332	Washer - Spring4	
7	8G742	Pulley - Water Pump1	
8	AEG129	Fan - 6 Blade Metal1	
9	GHF117	Screw - Fan4	
10	GHF331	Washer - Spring4	
11	GCB10900	Fan Belt1	
12	G111	Kenlowe Fan Kit1	

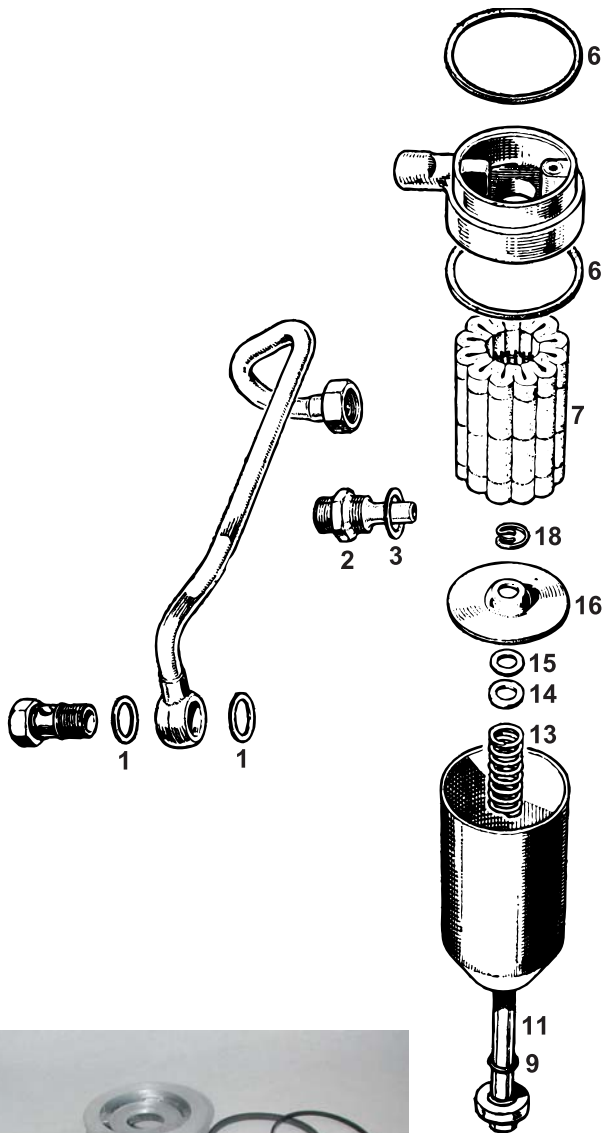
The Kenlowe electric fan replaces existing fan blades and operates thermostatically - it cuts in only when required, allowing full warm-up of the engine. It also increases engine power and reduces noise.

13	G118	Fan Thermo-Switch Kit1	Fits in top hose to activate fan when required.
----	------	-----------------------	--------	---

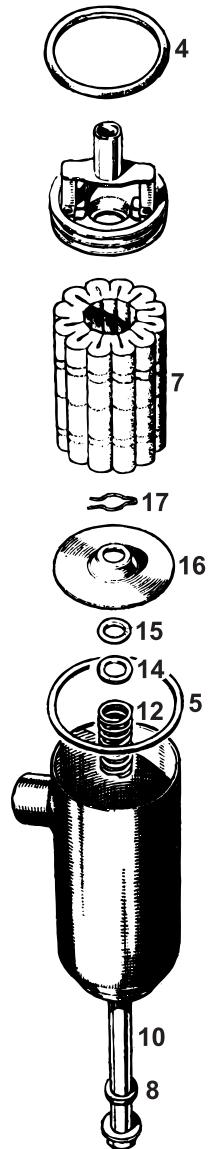
Telephone: 01954 230928 Fax: 01954 231923, By online www.mgocspares.co.uk



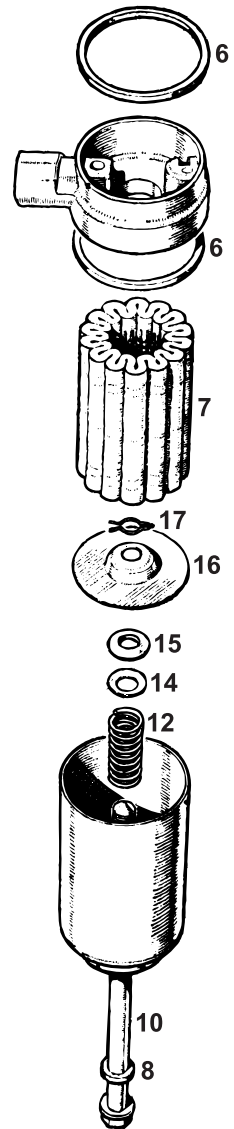
MGA
1500, 1600
& 1600 MkII



Purolator



Early Tecalemit



Late Tecalemit



19



22



24



20



21



23



MGA
1500, 1600
& 1600 MkII

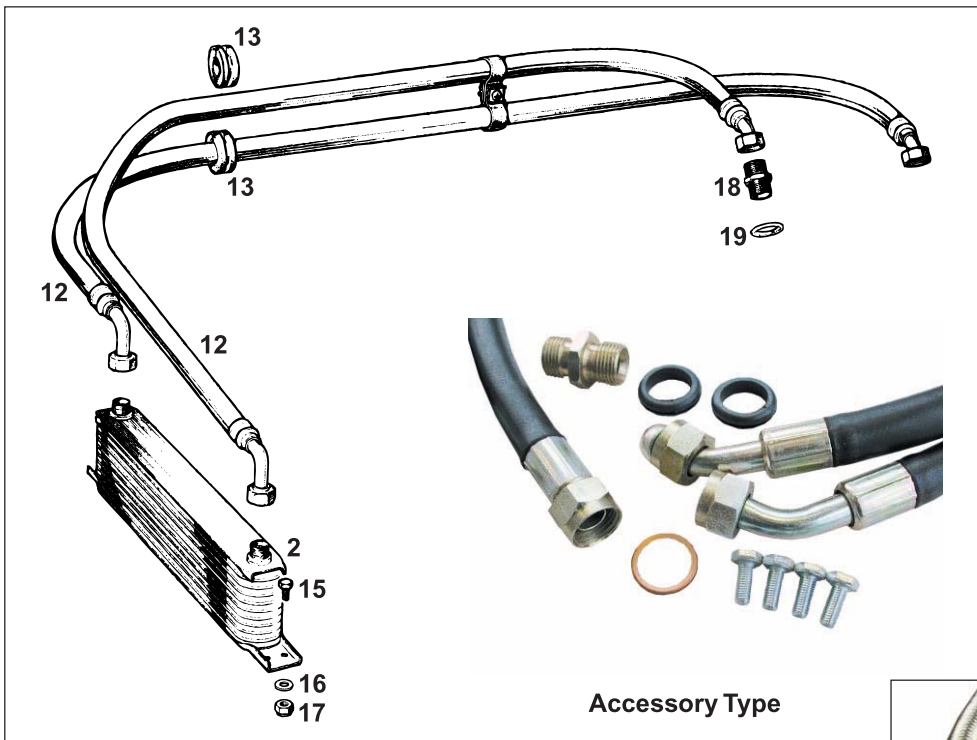
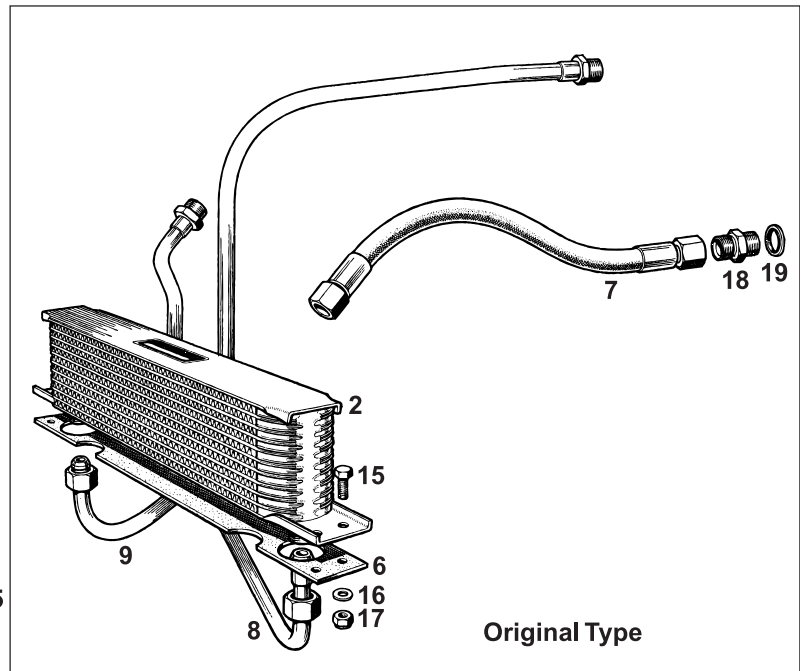
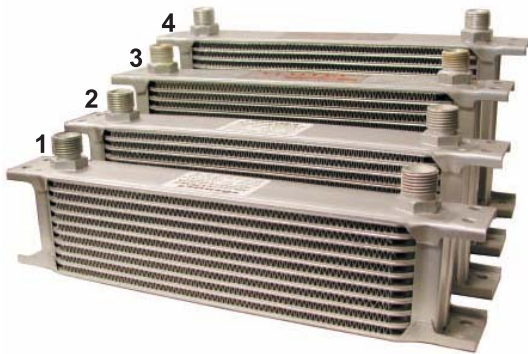


1	6K501	Washer - Banjo Bolt2	
2	1H922	Adaptor - Oil Filter Pipe To Block1	
3	6K501	Washer - Adaptor1	
4	8G619	Sealing Ring - Filter Head to Block1	} Up to 15GB26932 (early Tecalemit filter)
5	17H847	Sealing Ring - Filter Head to Cannister1	
6	8G619	Sealing Ring - Filter Head to Block/Cannister2	15GB26933 on, 15GD, 16GA, 16GC (Purolator and late Tecalemit filters)
7	8G683	Oil Filter - Felt Element1	Alternative to paper
7	GFE102	Oil Filter - Paper Element1	Alternative to felt
8	7H1948	Sealing Ring - Bolt to Cannister1	Tecalemit filters
9	17H1556	Sealing Ring - Bolt to Cannister1	Purolator filters
10	7H1965	Bolt - Centre1	Tecalemit filters
11	17H1558	Bolt - Centre1	Purolator filters
12	7H1764	Spring1	Tecalemit filters
13	17H1449	Spring1	Purolator filters
14	7H1969	Washer - Steel1	
15	7H1968	Washer - Felt1	
16	17H846	Pressure Plate1	
17	7H1952	Circlip1	Tecalemit filters
18	17H1557	Circlip1	Purolator filters
19	G127	Spin-On Oil Filter Adaptor1	Converts to modern spin-on oil filter cannister
20	G601	Castrol Classic XL30 - 4.5 Litres A/R	Monograde engine oil for earlier MGs
	G611	Castrol Classic XL30 - 25 Litres A/R	
21	G600	Castrol Classic XL 20w/50 - 4.5 Litres A/R	Low detergent classic multigrade engine oil
22	G610	Castrol Classic XL 20w/50 - 25 Litres A/R	Supplied with 1 pint jug and drum tap
		XL 20w/50, XL30 and Formula RS are all available in home workshop		25 litre drums. Delivery is free (UK mainland). This is the most economical supply of quality engine oil for your MG.
23	G605	Castrol Classic R40 - 4.5 Litres A/R	High performance castor-based engine oil with distinctive aroma
	G606	Castrol Formula RS 10w/60 - 20 Litre A/R	High performance fully synthetic engine oil
	G657	Castrol Running In Oil - 5 Litres A/R	First fill for remanufactured engines
24	G700 on	Castrol Classic Pouring Jug A/R	Half, one or two pint sizes, or set of three

Telephone: 01954 230928 Fax: 01954 231923, Buy online: www@mgocspares.co.uk



MGA
1500, 1600
& 1600 MkII





MGA
1500, 1600
& 1600 MkII



1	G120	Oil Cooler - 10 Row1	
2	G121	Oil Cooler - 13 Row1	
3	G122	Oil Cooler - 16 Row1	} For tuned engines or very hot climates
4	G123	Oil Cooler - 19 Row1	

With the original type oil cooler kit, the oil cooler unions point downwards through holes in the radiator duct panel. The kit includes all fixings.

5	8G2282	Oil Cooler Kit - Original Type1	Includes rubber hoses and steel pipes
6	AHH5902	Gasket - oil cooler to panel1	} Included in original type kit
7	AHH6296	Oil Hose - To Filter and Block2	
8	AHH5892	Oil Pipe - Filter Hose to Cooler1	
9	AHH5891	Oil Pipe - Block Hose to Cooler1	

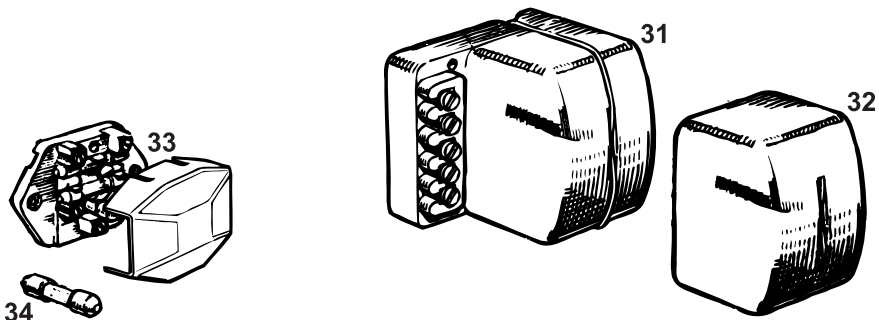
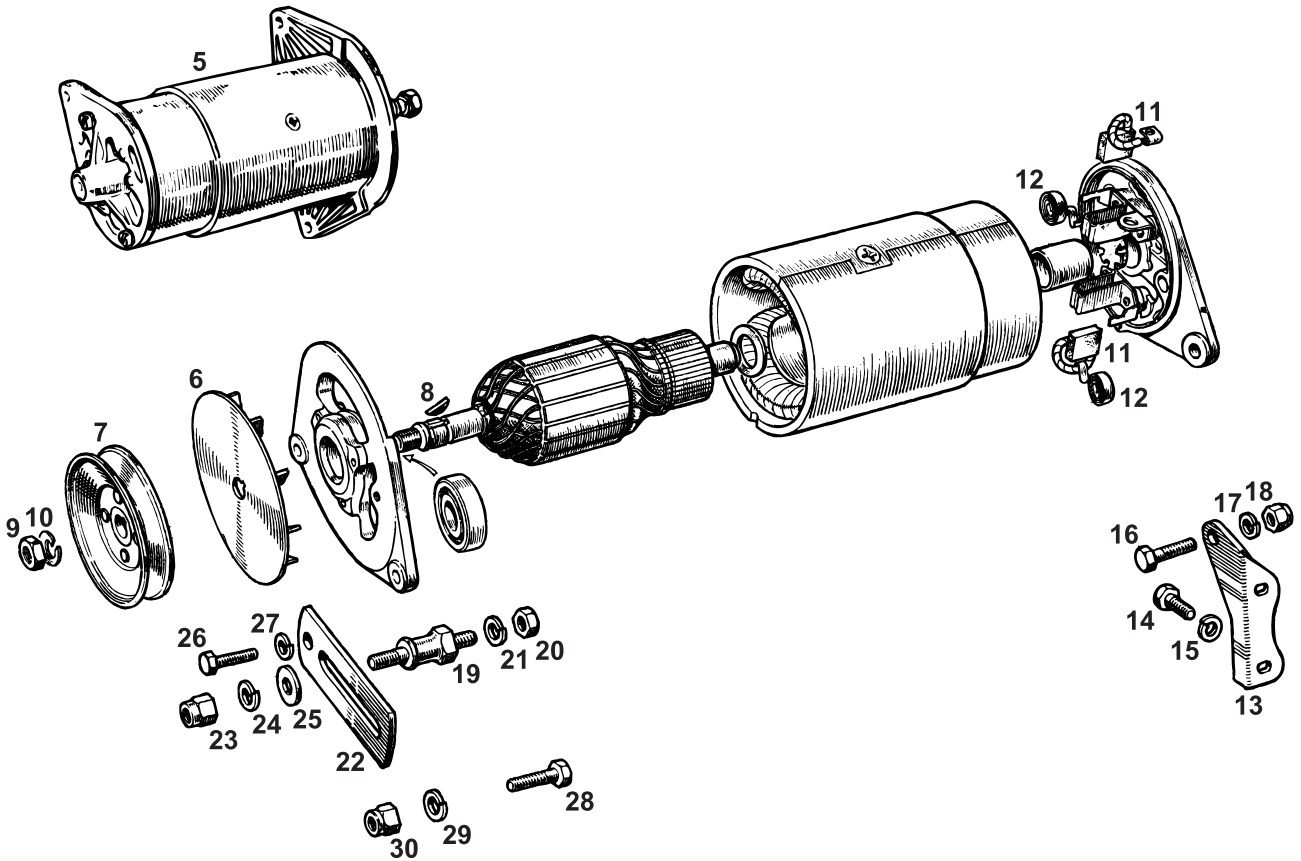
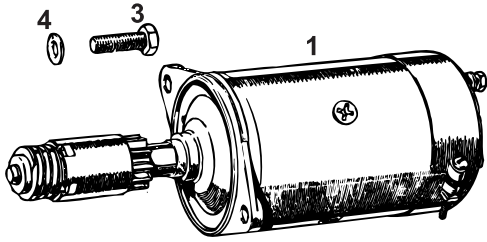
With the accessory type oil cooler kits, the oil cooler unions point upwards and the hoses route through holes in the radiator diaphragm panel. The kits includes all fixings.

10	G180	Oil Cooler Kit - Accessory Type1	With rubber hoses
11	G205	Oil Cooler Kit - Accessory Type1	With stainless braided hoses
12	AHH8192	Oil Hose - Rubber2	} Included in accessory type kit
	AHH8192S	Oil Hose - Stainless Braided2	
13	AHA8401	Grommet - Oil Hoses2	
14	G151	Oil Hose Kit - Stainless Braided1	
	G131	Oil Hose Kit - Rubber1	} Included in all oil cooler kits
15	GHF117	Screw4	
16	GHF300	Washer - Plain4	
17	GHF221	Nut - Nyloc4	
18	AHH6701	Union - Adaptor - Block1	
19	6K501	Washer - Union1	

Telephone: 01954 230928 Fax: 01954 231923, buy online: www.mgocspares.co.uk



MGA
1500, 1600
& 1600 MkII





MGA

1500, 1600

& 1600 MkII



- 1 GXE9405 Starter Motor - Replacement1
- GXE9405E Starter Motor - Replacement - Exchange .1
- 2 GXE9405X Starter Motor - Hi-Torque1

The Hi-Torque starter motor is reduction geared, delivering 200% more torque and using 50% less current. It cranks the engine faster and drains less battery power. Compact and lightweight, it is fitted with a direct acting solenoid.

- 3 BH606131 Bolt - Starter Motor - Fine Thread2
- 3 53K149 Bolt - Starter Motor - Coarse Thread2
- 4 GHF333 Washer - Spring2
- 5 AEJ12E Dynamo - Reconditioned - Exchange1
- 5 GXE3101E Dynamo - Reconditioned - Exchange1
- 5 GXE3101RE Dynamo - Reconditioned - Exchange1
- 6 AEC82 Fan - Dynamo1
- 6 17D11 Fan - Dynamo1
- 7 12G2102 Pulley1
- 7 12H1178 Pulley1
- 8 WKN404 Woodruff Key - Pulley1
- 9 NT607041 Nut - Pulley1
- 10 GHF334 Washer - Spring1
- 11 GGB105 Brush Kit - Dynamo1
- 11 GGB102 Brush Kit - Dynamo1
- 12 RTC466A Spring - Brush2
- 13 12A526 Bracket - Dynamo1
- 14 GHF120 Screw - Bracket to Block2
- 15 GHF332 Washer - Spring2
- 16 SH605091 Screw - Dynamo to Bracket1
- 17 GHF332 Washer - Spring1
- 18 GHF222 Nut - Nyloc1
- 19 2A128 Pillar - Adjusting Link1
- 20 GHF202 Nut - Pillar to Engine1
- 21 GHF333 Washer - Spring1
- 22 12H67 Adjusting Link1
- 23 GHF223 Nut - Nyloc1
- 24 GHF333 Washer - Spring1
- 25 GHF302 Washer - Plain1
- 26 SH505051 Screw - Coarse Thread - Dynamo to Link .1
- 27 GHF332 Washer - Spring1
- 28 BH605141 Bolt - Dynamo to Water Pump1
- 29 GHF332 Washer - Spring1
- 30 GHF222 Nut - Nyloc1
- 31 3H1835 Control Box - Dynamo1
- 32 7H5522 Cover - Control Box1
- 33 1G2613 Fuse Box - 2 Fuse Type1
- 34 GFS3035S Fuse - 35 Amp A/R
- 35 GFS3050S Fuse - 50 Amp A/R

Early 1500 only
Later 1500, 1600, 1622

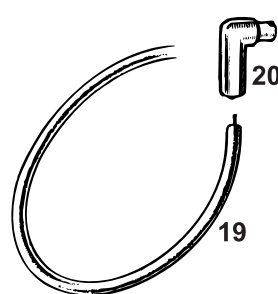
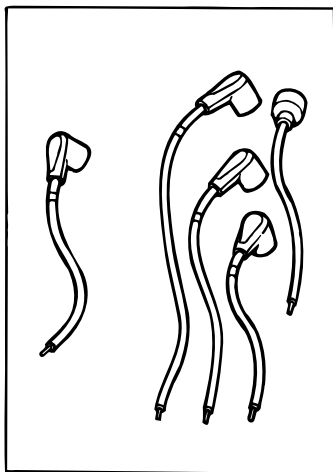
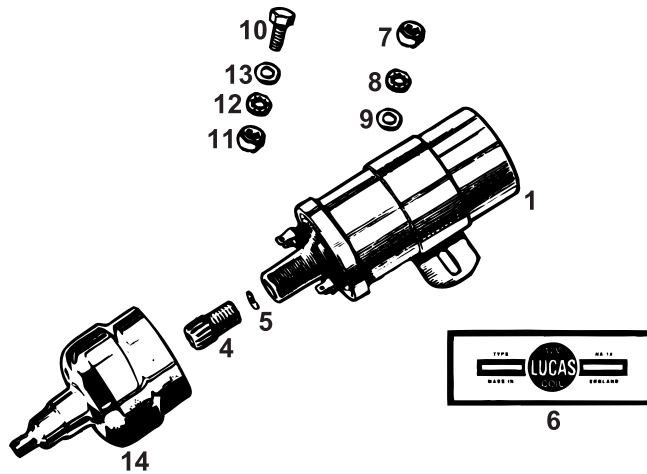
Original C39 type
Replacement C40 type, reconditioned by original supplier
Replacement C40 type
For C39 type
For C40 type
15GB/GD, up to 16GA6395
From 16GA6396 onwards, 16GC

For C39 type
For C40 type

Telephone: 01954 230928 Fax: 01954 231923, buy online: www.mgocspares.co.uk



MGA
1500, 1600
& 1600 MkII



© 2007 MGOC Spares Ltd

Telephone: 01954 230928 Fax: 01954 231923, Email: sales@mgocspares.co.uk



MGA
1500, 1600
& 1600 MkII

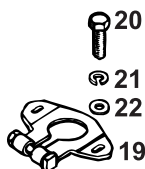
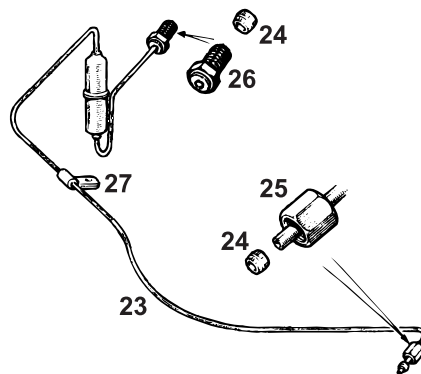
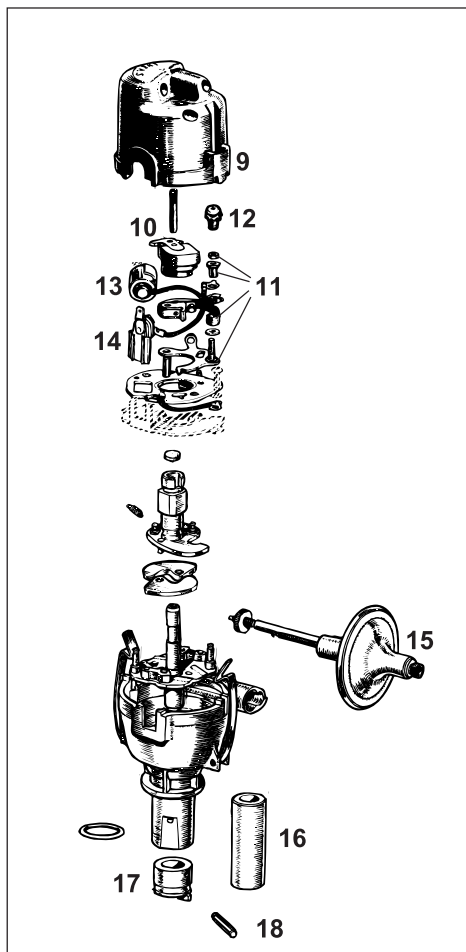


1	GCL101	Coil - Screw In HT Lead	1	Original type
1	GCL110	Coil - Push In HT Lead	1	Later type (alternative)
2	G101	Coil - Lucas Sports - Push In HT Lead	1	For stronger spark, better economy and performance
3	G284	MS4 High Energy Coil	1	High power coil for use with Optronic electronic ignition
4	105036	Nut - Acorn - HT Lead to Coil	1] Original coils only
5	214279A	Washer - Copper	1	
6	LMG1091	Decal - Coil - Lucas	1] 1500 (15GB/GD)
7	GHF200	Nut	2	
8	GHF331	Washer - Spring	2	
9	GHF300	Washer - Plain	2	
10	GHF117	Screw	2] 1600, 1622 (16GA, 16GC)
11	GHF200	Nut	2	
12	GHF331	Washer - Spring	2	
13	GHF300	Washer - Plain	2	
14	8G727	Cover - Coil - Rubber	1] With gold palladium electrodes for premium performance For tuned long-stroke engines. Helps prevent run-on Remove connector on coil lead for screw-in type coil Sold per metre
15	K019	Custom Coil Cover - Stainless Steel	1	
16	GSP160	Spark Plug - Champion N5C Type	4	
16	GSP4362	Spark Plug - Standard	4	
16	BP6ES	Spark Plug - NGK Type	4	
17	G098	Spark Plug - NGK Gold	4	
	G095	Spark Plug - 'Softer'	4	
18	GHT102	HT Lead Kit - Push In Coil Lead	1	
19	AAA5981M	HT Lead - Copper Core	A/R	
20	3H1422	Cap - Spark Plug - Suppressed	4	
21	1G2673	Spacer - Leads - 4 Way	1	
22	CRST255	Decal Kit - HT Lead Numbers	1	

Telephone: 01954 230928 Fax: 01954 231923, buy online: www.mgocspares.co.uk



MGA
1500, 1600
& 1600 MkII



© 2007 MGOC Spares Ltd

Telephone: 01954 230928 Fax: 01954 231923, Email: sales@mgocspares.co.uk



MGA
1500, 1600
& 1600 MkII



1	1H811	Distributor - New	1	1500, 1600. 25D type (Lucas no 40510)
1	1H811E	Distributor - Reconditioned	1	1500, 1600. DM2 type (customer's own unit reconditioned)
1	12H822	Distributor - New	1	1622. 25D type (Lucas no 40780)
1	12H822E	Distributor - Reconditioned	1	1622. 25D type (customer's own unit reconditioned)

N.B. Vacuum units on all new and most reconditioned distributors are now supplied with a push on pipe connection in place of the original screw type. To connect to original metal vacuum pipe, remove the nut and olive from the pipe and replace with rubber connector 12B2062 (90° angled) or 12B2095 (straight).

2	G100AX	123 Electronic Ignition	1	With side entry cap. Includes vacuum advance
2	G100AY	123 Electronic Ignition	1	With side entry cap. Does not include vacuum advance
3	G100X	123 Electronic Ignition	1	With top entry cap. Includes vacuum advance
3	G100Y	123 Electronic Ignition	1	With top entry cap. Does not include vacuum advance

The 123 Ignition is a high-tech ignition system concealed in distributor-like case. It incorporates the latest Hall-effect technology with a micro-processor that adjusts dwell angle throughout the rev range for peak energy and performance. Say goodbye to all the moving parts in your conventional distributor! **Please note that 123 Ignition is only suitable for negative earth vehicles.**

4	G070/5	Optronic Ignition Kit	1	
---	--------	-----------------------	---	--

The Lumenition Optronic advanced electronic ignition kit is suitable for positive or negative earth cars and requires the use of a G284 Optronic coil (see previous section). Specifically designed for MG cars with mechanical distributors containing contact breaker 'points', its great advantage is in having no wearing parts - once set, your MG's distributor will remain permanently in tune without the need for servicing. Optronic ignition gives you a better starting, more efficiently (and economically) running MG.

5	G078/5	Performance Lumenition Ignition Kit	1	
---	--------	-------------------------------------	---	--

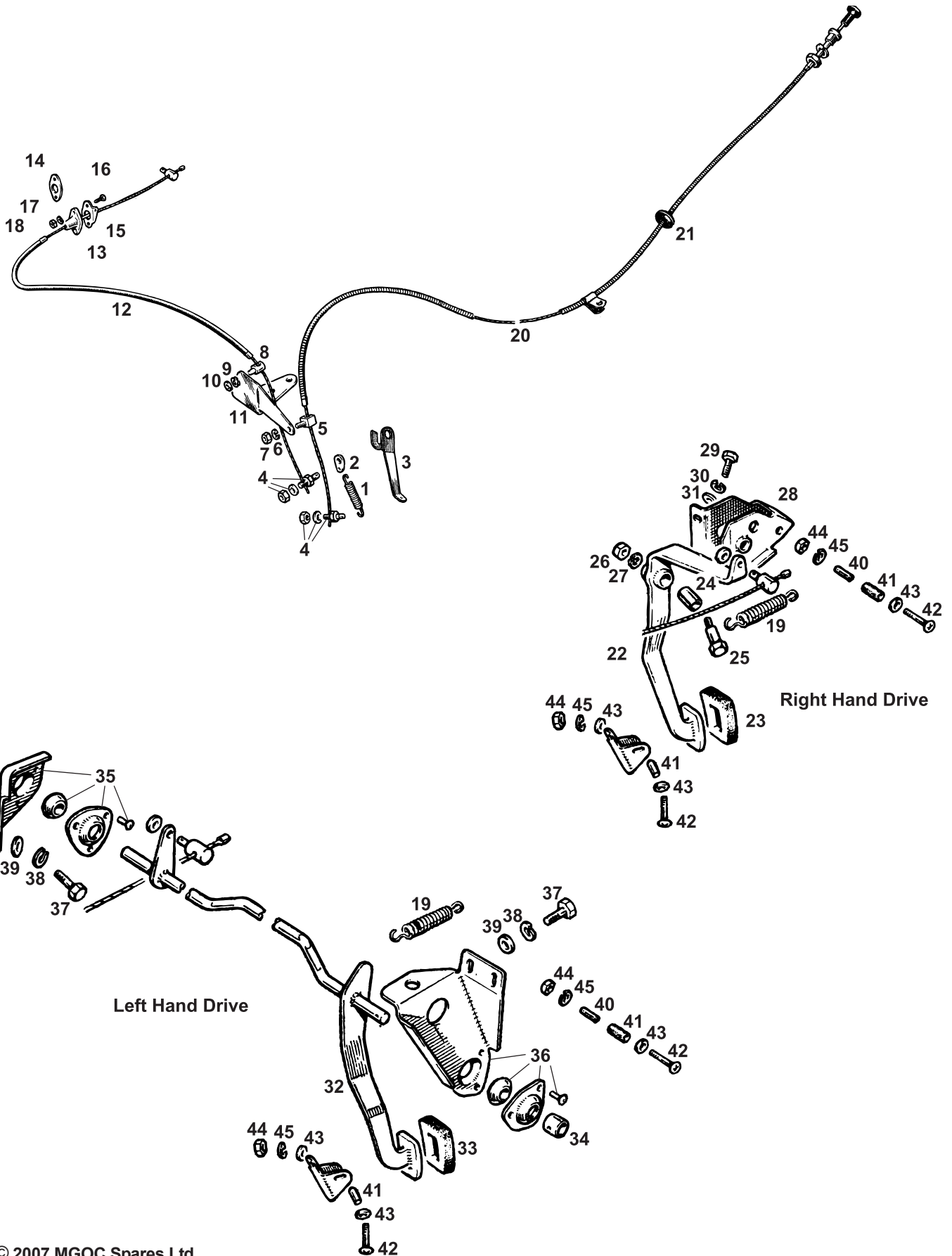
Incorporating the features and advantages of Optronic ignition, this kit also includes a high performance coil and matching high output amplifier. Suitable for positive or negative earth fast road or competition cars.

6	G070C	Lumenition Amplifier Bracket	1	Fits to coil mounting
7	G079	Rev Limiter	1	Prevents over-revving beyond pre-set limit
8	8G726	Cover - Distributor Cap	1	
9	GDC102	Distributor Cap - Side Entry	1	
10	GRA101	Rotor Arm	1	
11	GCS2107	Contact Set	1	Original type
11	GCS2101	Contact Set	1	One piece type
12	CBS101	Screw - Contact Breaker	1	
13	GSC2111	Condenser	1	
14	502283	Low Tension Lead - With Bush	1	Original type with screw terminal
14	37H2981	Low Tension Lead - With Bush	1	Alternative type with Lucar spade terminal
15	515859	Vacuum Unit	1	Now supplied with push-on connector - please see note under distributors.
16	606895	Bush - Distributor Spindle	1	
17	513679A	Dog - Distributor Drive	1	
18	57992	Pin	1	
19	3H2138	Clamp - Distributor	1	Includes clamp screw
20	GHF117	Screw - Clamp to Block	2	
21	GHF331	Washer - Spring	2	
22	GHF300	Washer - Plain	2	
23	1H919	Vacuum Pipe Assembly - Metal	1	Original type
24	6K649	Olive	2	Included in metal pipe assembly
25	6K650	Union Nut - Distributor	1	
26	2A459	Union Nut - Carburetter	1	Replacement type
27	12H90	Clip	1	
28	37H4229M	Vacuum Pipe - Nylon - Per Metre	A/R	Use with nylon pipe
29	12B2062	Pipe Connector - Rubber - 90° Angle	A/R	
30	12B2095	Pipe Connector - Rubber - Straight	A/R	

Telephone: 01954 230928 Fax: 01954 231923, buy online: www.mgocspares.co.uk



MGA
1500, 1600
& 1600 MkII



© 2007 MGOC Spares Ltd

Telephone: 01954 230928 Fax: 01954 231923, Email: sales@mgocspares.co.uk



MGA
1500, 1600
& 1600 MkII

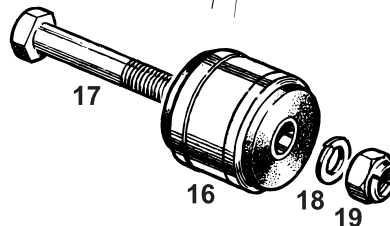
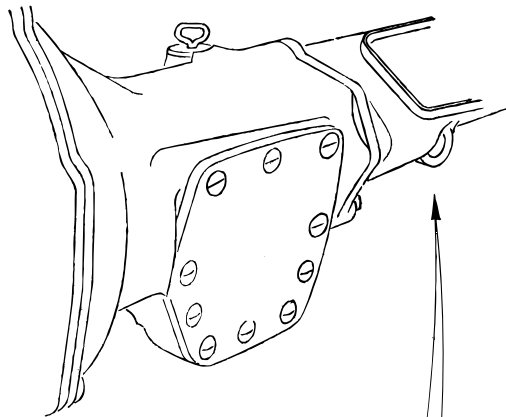
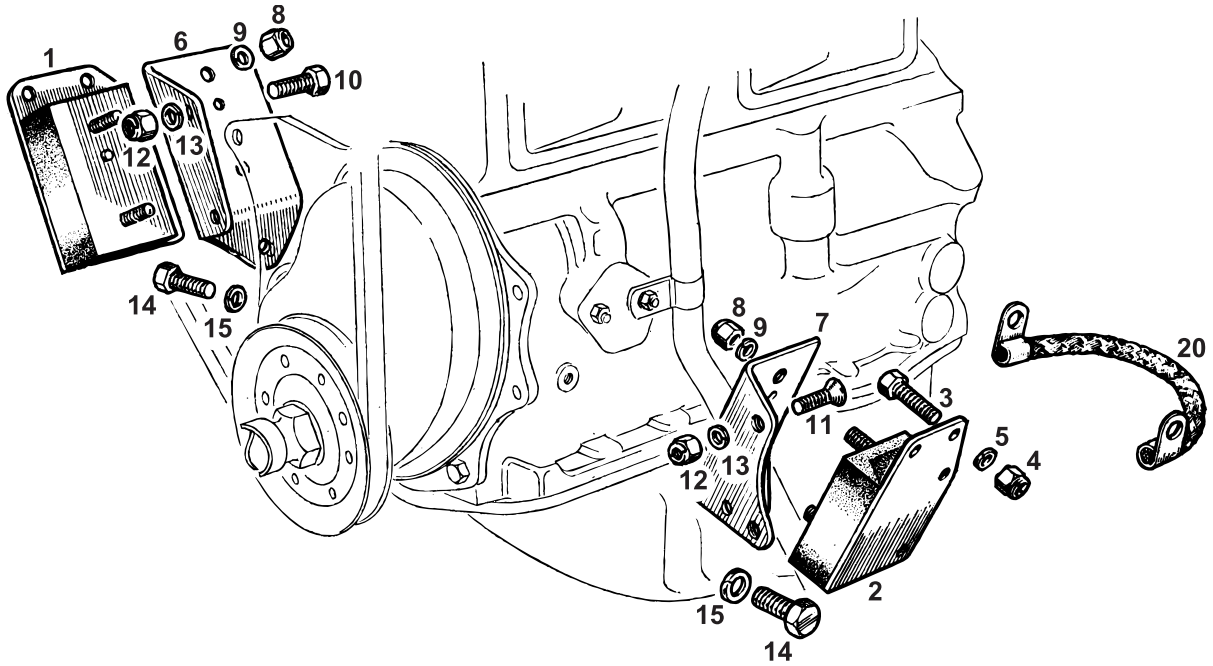


1	AHH5621	Spring - Accelerator Return	1	
2	12A4	Tab Washer - Return Spring	1	
3	AHH5339	Bracket - Return Spring	1	
4	ACC5062K	Pin Assembly - Accelerator and Choke	2	
5	ACH5112	Trunnion - Choke Cable	1	
6	WL700101	Washer - Spring	1	
7	GHF206	Nut	1	
8	ACA5289	Abutment - Accelerator Cable	1	
9	AJD7712	Washer - Spring - Double Coil	1	
10	AJD7042	Washer - Plain	1	
11	AHH5310	Bracket - Cables	1	
12	AHH5625	Cable - Accelerator	1	
13	AHH5308	Guide - Accelerator Cable	1	
14	ACA5073	Seal - Guide	1	
15	AHH5623	Bracket - Pedal Return Spring	1	
16	PMZ308	Screw	2	
17	WL700101	Washer - Spring	2	
18	GHF206	Nut	2	
19	AHH5624	Spring - Pedal Return	1	
20	AHH5333	Cable - Choke	1	Right hand drive
20	AHH5336	Cable - Choke	1	Left hand drive
21	RFR103	Grommet - Choke cable	1	
22	AHH5300	Pedal - Accelerator	1	
23	GPR105	Pedal Rubber	1	
24	AHH5301	Tube - Distance	1	
25	AHH5306	Bolt - Pedal Pivot	1	
26	GHF201	Nut	1	Right hand drive
27	GHF332	Washer - Spring	1	
28	AHH5302	Bracket - Accelerator Pedal	1	
29	SH604051	Screw - Bracket	4	
30	GHF331	Washer - Spring	4	
31	GHF300	Washer - Plain	4	
32	AHH5311	Pedal - Accelerator - With Shaft	1	
33	GPR105	Pedal Rubber	1	
34	AHH5314	Collar - Shaft Locating	1	
35	AHH5320	Bracket and Pivot - RH	1	Left hand drive
36	AHH5321	Bracket and Pivot - LH	1	
37	SH604051	Screw - Bracket	5	
38	GHF331	Washer - Spring	5	
39	GHF300	Washer - Plain	5	
40	AHH5303	Tube - Distance - Pedal Stop	2	
41	AHH5304	Stop - Accelerator Pedal - Rubber	1	
42	SE604121	Screw - Pedal Stop	2	
43	GHF300	Washer - Plain	3	
44	GHF200	Nut	2	
45	GHF331	Washer - Spring	2	

Telephone: 01954 230928 Fax: 01954 231923, buy online: www.mgocspares.co.uk



MGA
1500, 1600
& 1600 MkII



© 2007 MGOC Spares Ltd

Telephone: 01954 230928 Fax: 01954 231923, Email: sales@mgocspares.co.uk



MGA
1500, 1600
& 1600 MkII



1	BHH1351	Engine Mounting - RH	1	
2	BHH1352	Engine Mounting - LH	1	
3	GHF120	Screw - Mounting to Chassis	8	
4	GHF201	Nut	8	
5	GHF332	Washer - Spring	8	
6	AHH5065	Bracket - Engine Mounting - RH	1	
7	AHH5066	Bracket - Engine Mounting - LH	1	
8	GHF201	Nut - Mounting to Bracket	4	
9	GHF332	Washer - Spring	4	
10	GHF103	Screw - RH Bracket to Front Plate	2	
11	SF605081	Screw - LH Bracket to Front Plate	2	
12	GHF222	Nut - Nyloc	4	
13	GHF332	Washer - Spring	4	
14	SH606061	Screw - Bracket to Block	2	
15	GHF333	Washer - Spring	2	
16	AHH5031	Gearbox Mounting	1	
17	BH608261	Bolt - Mounting to Chassis	1	
18	GHF335	Washer - Spring	1	
19	GHF225	Nut - Nyloc	1	
20	2K6167	Cable - Earth - Engine to Chassis	1	Across LH engine mounting

Telephone: 01954 230928 Fax: 01954 231923, Buy online: www.mgocspares.co.uk



MGA
1500, 1600
& 1600 MkII

FUEL SYSTEM:

CARBURETTORS

AIR FILTERS

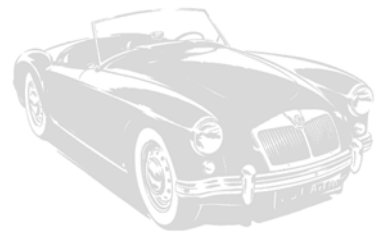
INLET MANIFOLD

PETROL TANK

FILLER CAP

FUEL PUMPS

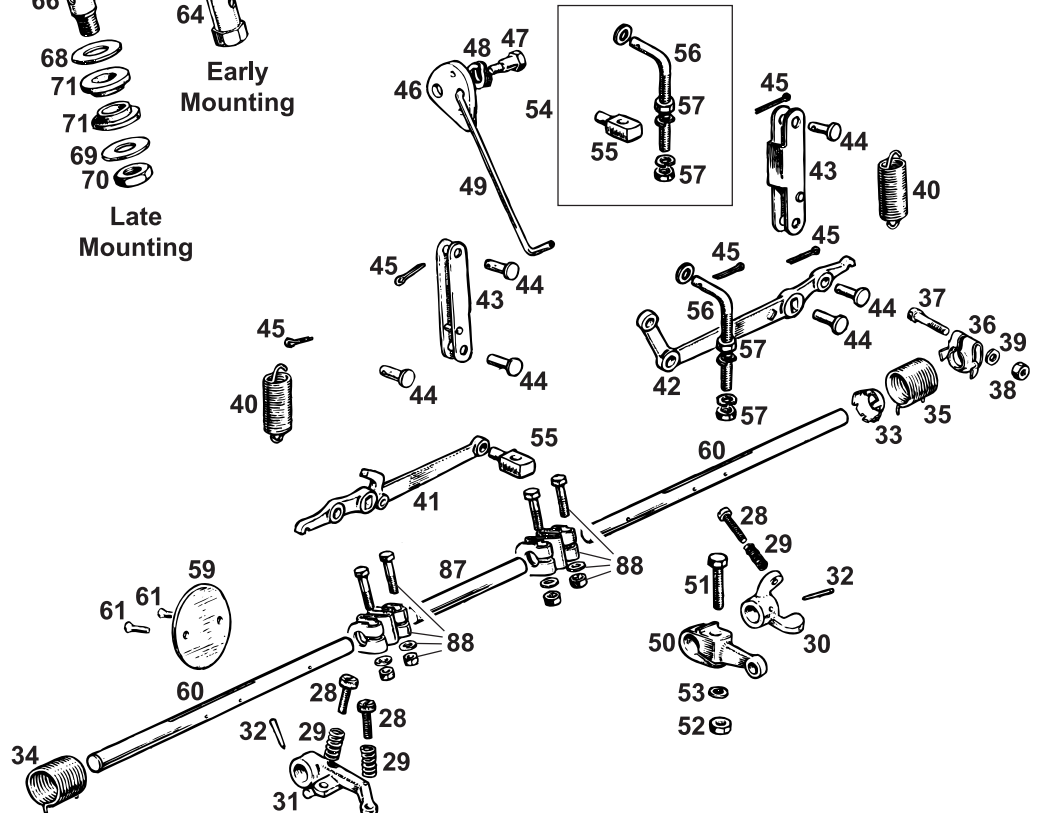
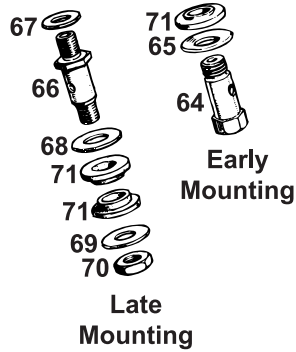
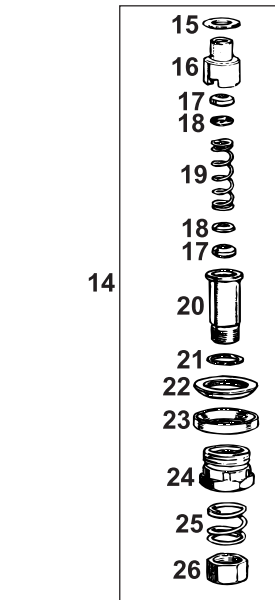
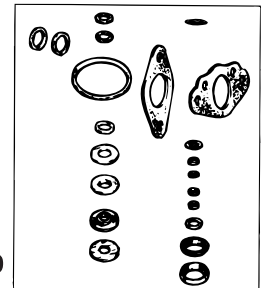
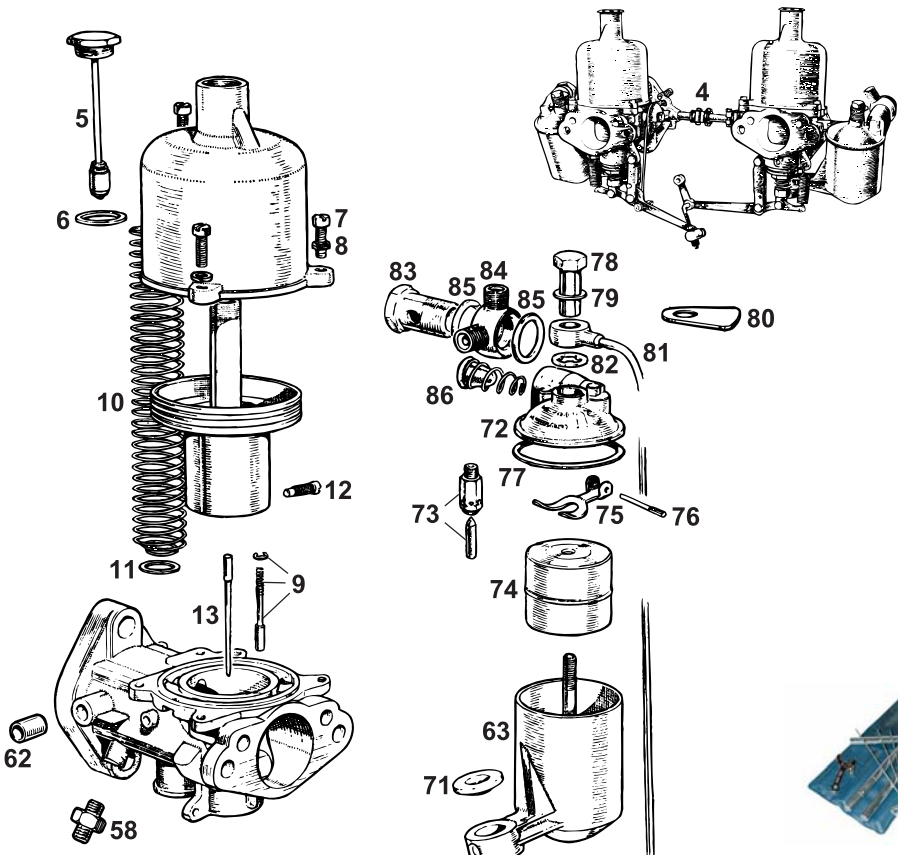
FUEL LINES



MGOC Spares & Accessories, Octagon House, Swavesey, Cambridge CB24 4QZ
Tel: 01954 230928 and 01954 231318 Email: sales@mgocspares.co.uk



MGA
1500, 1600
& 1600 MkII





MGA

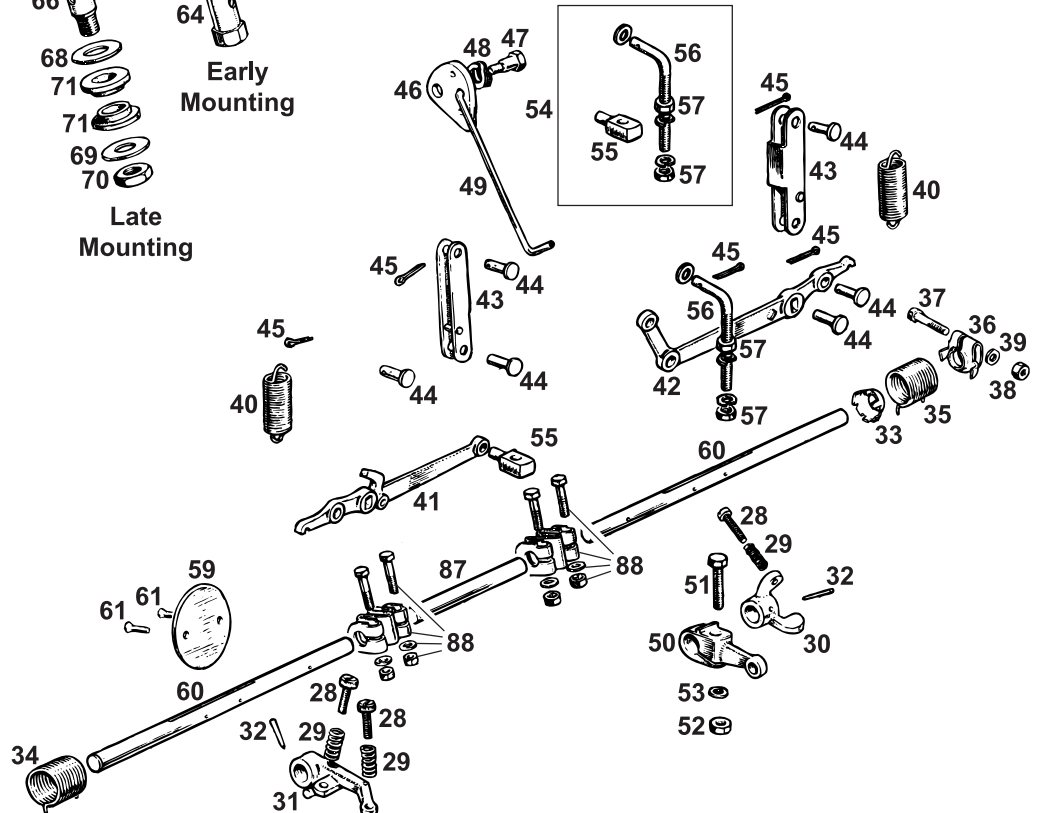
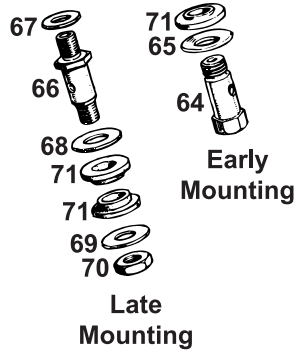
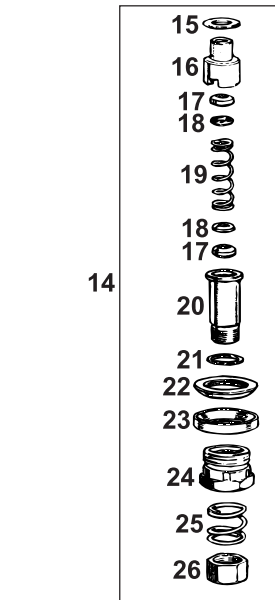
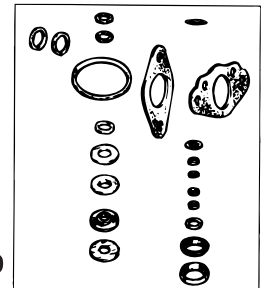
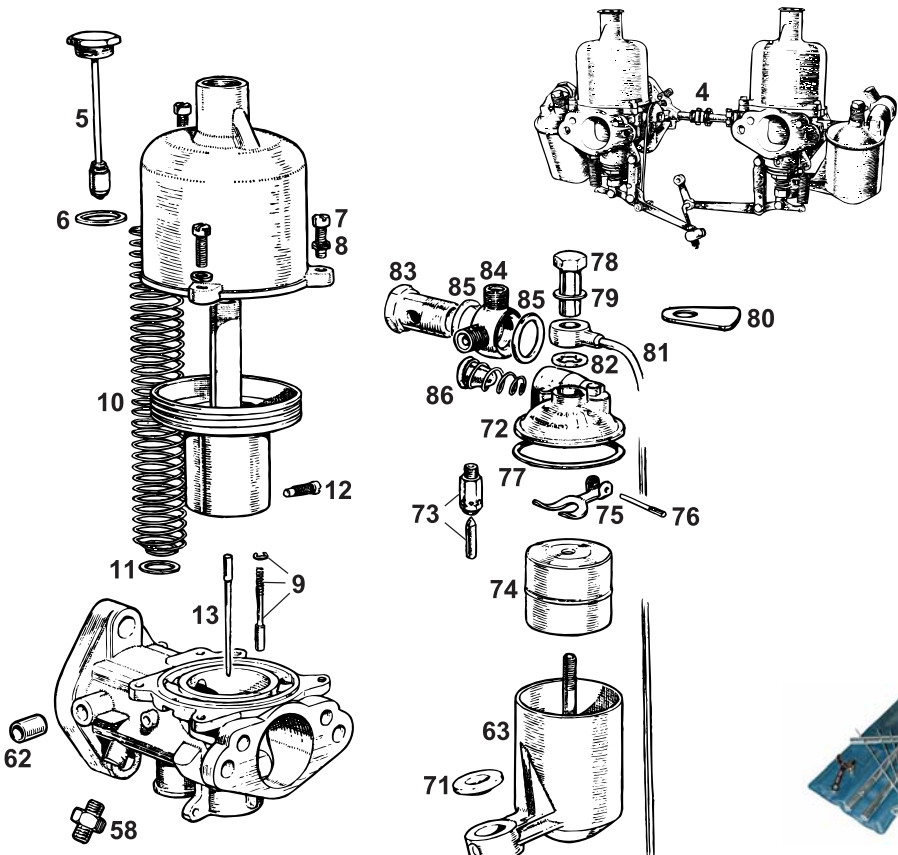
1500, 1600 & 1600 MkII



1	CRK205	Carb Rebuild Kit - H4	2	
A rebuild kit includes the service kit, plus throttle spindle, throttle spindle bushes, throttle disc, throttle disc screws, jet lever and link fitting hardware, throttle lever tapered pins and float lever pivot pin, for one carburetter.				
2	CSK40	Carb Service Kit - H4	2	
A service kit includes the gasket kit, plus float chamber needle and seat and jet assembly, for one carburetter.				
3	Z015	S.U. - Tuning Tool Kit	1	
	AUD2693	S.U. - Jet Adjusting Spanner	1	Included in tool kit
	BCC500	S.U. - Carb Cleaner - Aerosol 500ml	A/R	
4	AUC784P	Carburetters - H4 - Pair - Reconditioned	1	1500 (15GB/GD). Customers' own units reconditioned
4	AUC784T	Carburetters - H4 - Pair - New	1	1500 (15GB/GD)
4	AUC943P	Carburetters - H4 - Pair - Reconditioned	1	1600, 1622 (16GA, 16GC). Customers' own units reconditioned
4	AUC943T	Carburetters - H4 - Pair - New	1	1600, 1622 (16GA, 16GC)
5	AUC8102HB	Damper - Brass Cap - Non-vented	2	15GB/GD original item
5	AUC8102A	Damper - Plastic Cap - Non-vented	2	15GB/GD alternative
5	AUC8114	Damper - Plastic Cap - Vented	2	16GA, 16GC
6	AUC4900	Washer - Damper	2	
7	JZX1394	Screw - Dashpot	6	
8	WL700101	Washer - Spring	6	
9	WZX1105	Piston Lift Pin Kit	2	
10	AUC4387	Spring - Dashpot Piston - Red	2	
11	AUC3071	Washer - Dashpot Piston Spring	2	For original tapered springs only
12	AUC2057	Screw - Needle Locking	2	
13	AUD1222	Needle - GS - Standard	2	} 15GB/GD
13	AUD1093	Needle - CC - Rich	2	
13	AUD1003	Needle - 4 - Lean	2	} 16GA, 16GC
13	AUD1005	Needle - 6 - Standard	2	
13	AUD1295	Needle - RO - Rich	2	
13	AUD1045	Needle - AO - Lean	2	
14	WZX1593	Jet Bearing Kit	2	
15	AUC2122	Washer - Copper - Upper	2	
16	AUC3230	Jet Bearing - Upper	2	
17	AUC2120	Seal - Cork	4	
18	AUC2119	Washer - Cupped	4	
19	AUC1158	Spring - Jet Gland	2	
20	AUC3231	Jet Bearing - Lower	2	
21	AUC3233	Washer - Copper - Lower	2	
22	AUC2118	Seal - Cork	2	
23	AUC2117	Ring - Sealing - Alloy	2	
24	AUC3232	Nut - Sealing	2	
25	AUC2114	Spring - Mixture Nut	2	
26	AUC2121	Nut - Mixture	2	
27	WZX1595	Jet Assembly - With Seals	2	
28	AUC8483	Screw - Slow Run/Fast Idle	3	
29	AUC2451	Spring - Screw	3	
30	AUC2198	Stop	1	
31	AUC4713	Lever	1	
32	AUD2906	Pin - Stop and Lever to Spindle	2	
33	AUC4770	Anchor - Spring	2	
34	AUC4781	Spring - Front	1	
35	AUC4782	Spring - Rear	1	
36	AUC4771	Retaining Clip	2	
37	AUC2669	Screw	2	
38	AJD8014Z	Nut	2	
39	AUC4612	Washer - Plain	2	
40	AUC4667	Spring - Return	2	
41	AUC5091	Lever - Front	1	
42	AUC5092	Lever - Rear	1	
43	AUC4819	Link	2	
44	AUC2381	Clevis Pin	6	
45	GHF500	Split Pin	8	
46	AUC4730	Cam	1	
47	AUC3471	Bolt	1	
48	AJD7722	Washer - Spring - Double Coil	1	
49	AUC4732	Link	1	
50	AUC1501	Lever	1	
51	AUC2694	Screw - Pinch	1	
52	AJD8012	Nut	1	
53	WL700101	Washer - Spring	1	
54	WZX996	Trunnion Assembly	1	
55	AUC4916	Trunnion	1	
56	AUC4915	Rod - Link	1	} Included in trunnion assembly
57	AJD8012	Nut	2	
58	AUC4490	Union - Vacuum Pipe	1	
59	WZX1323	Throttle Disc Kit	2	Includes disc screws
60	AUC3242	Throttle Spindle	2	
61	AUC1358	Screw - Throttle Disc	4	
62	AUD3080	Spindle Bush - Carb Body Repair	4	
63	AUC3496	Float Chamber - Front	1	
63	AUC3495	Float Chamber - Rear	1	



MGA
1500, 1600
& 1600 MkII



© 2007 MGOC Spares Ltd

Telephone: 01954 230928 Fax: 01954 231923, Email: sales@mgocspares.co.uk



MGA
1500, 1600
& 1600 MkII



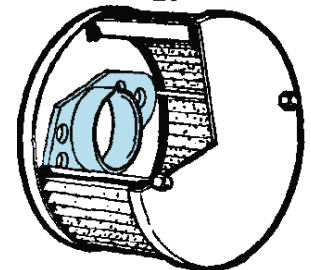
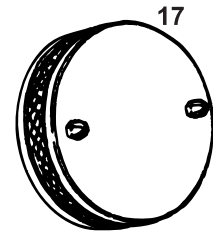
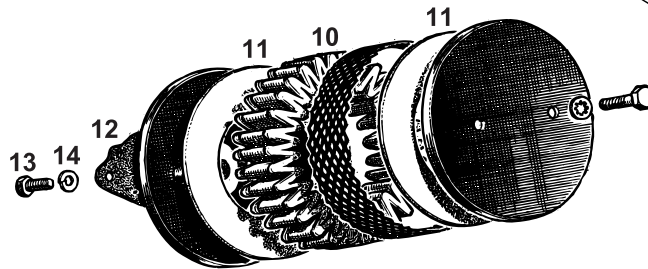
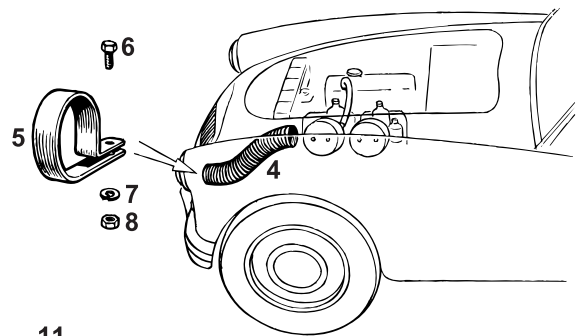
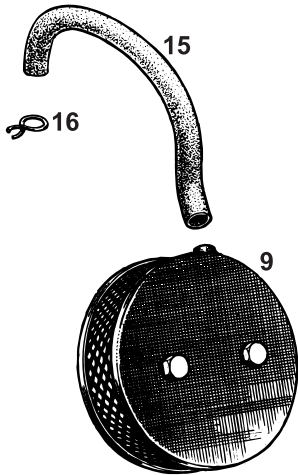
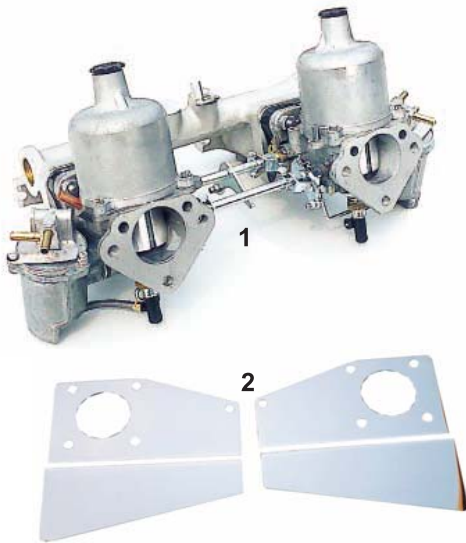
64	AUC1335	Bolt - Banjo	2	} Early type float chamber mounting
65	AUC1337	Washer	2	
66	AUC1387	Bolt - Banjo	2	} Later type float chamber mounting
67	AUC1384	Washer	2	
68	AUC1389	Washer - Upper	2	
69	GHF302	Washer - Lower	2	
70	AJD8206Z	Nut	2	} Use with both early and late type mountings
71	AUC1534	Washer - Rubber	4	
72	AUE478	Float Lid Assembly - Front	1	} Replacement type - includes AUD2285 lever
72	AUE479	Float Lid Assembly - Rear	1	
73	WZX1101	Needle and Seat	2	} Superior replacement for needle and seat
73	GAC9201X	Grose Jet	2	
74	WZX1303	Float	2	} For original float lids
75	AUC1980	Lever - Float	2	
75	AUD2285	Lever - Float	2	} For replacement float lids
76	AUC1152	Pin	2	
77	AUC1147	Gasket - Float Lid	2	
78	AUC1867	Cap Nut	2	
79	AUC1557	Washer - Alloy	2	
80	CRCP395	Identification Tag - Carburetter - 'AUC784'	2	15GB/GD
80	CRCP393	Identification Tag - Carburetter - 'AUC943'	2	16GA, 16GC
81	AUC1866	Pipe - Overflow	2	
82	AUC1928	Washer - Fibre	2	
83	AUC2698	Bolt - Banjo	2	
84	AUC1832	Banjo Union	1	
85	AUC4900	Washer - Sealing	4	
86	AUC2139	Filter	2	
87	AUC2433	Shaft - Connecting	1	
88	AUE75	Coupling Assembly	2	
89	AUE801A	Gasket Kit	2	

A gasket kit includes manifold gasket, air filter gasket, suction chamber damper washer, float lid gasket, banjo connection washers, jet bearing washers and glands and float chamber hold up washers, for one carburetter.

Telephone: 01954 230928 Fax: 01954 231923, Buy online: www.mgocspares.co.uk



MGA
1500, 1600
& 1600 MkII



© 2007 MGOC Spares Ltd

Telephone: 01954 230928 Fax: 01954 231923, Email: sales@mgocspares.co.uk



MGA
1500, 1600
& 1600 MkII



- 1 G010 HS6 Carburetter Kit 1
Includes a pair of new SU HS6 carburetters, linkage and manifold, ready assembled in the classic 'Stage 1' package as originally offered by BMC Special Tuning primarily for MGBs, but also frequently fitted to MGAs.
- 2 G011 Heatshields - HS6 Carburetters 1 To replace H4 heatshield when fitting HS6 carburetters
- 3 AUD278T HS4 Carburetters - Pair - New 1 From MGB 1966-68 models
3 AUD325AT HS4 Carburetters - Pair - New 1 From MGB 1969-74 models
Many owners have sort to increase vehicle performance by installing modified MGB engines with HS4 carburetters. MGOC Spares are able to supply new outright SU carburetters from stock.
- 4 AHH5394 Air Intake Duct 1
5 AHH5714 Clip - Duct Supporting 1
6 PMZ316 Screw - Clip to Radiator Duct 1
7 WL700101 Washer - Spring 1
8 GHF206 Nut 1
9 AHH5147 Air Filter Assembly - Front 1 Original type
9 AHH5148 Air Filter Assembly - Rear 1 Original type
10 AHH5442 Element - Air Filter 2
11 AHH5441K Felt Pad Set - Four Pads 1 Not included with air filter elements
12 12G2125 Gasket - Air Filter 2
13 GHF120 Screw - Air Filter to Carburetter 4
14 GHF332 Washer - Spring 4
15 ACA5524 Hose - Breather 1
16 ACA5290 Clip - Hose 2
17 PF102 Air Filter - Accessory Type - Chrome 2 For 1 1/2" carburetters
18 G228 Air Filter - SU Style - Chrome 2 For 1 1/2" carburetters
These attractive, chrome plated foam filters with the distinctive SU logo will enhance your MG's engine bay and improve air flow and performance. Greater performance improvements still are available when used with stub stacks G221.
- 19 G215 Air Filter - K&N Pancake - Stainless Steel .2 2 For 1 1/2" carburetters
The most efficient performance filters available, K&Ns provide up to 40% more air flow than conventional filters, with extremely high levels of filtration. They require minimal cleaning and are supplied pre-oiled, ready for use. May be fitted with stub stacks G221 for further improvements.
- 20 G221 Stub Stack 2 For 1 1/2" carburetters
Ideal for use with G228 SU or G215 K&N air filters. Highly recommended, they greatly improve air flow into the carburetters.
- 21 G002 Engine Breather Filter - K&N 1

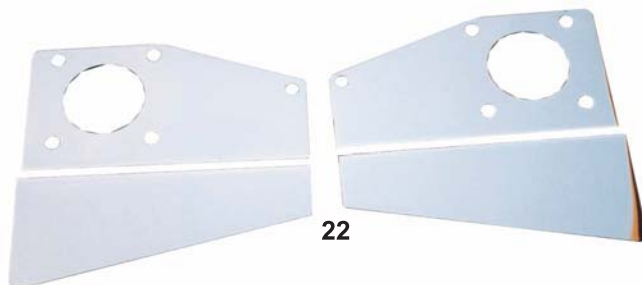
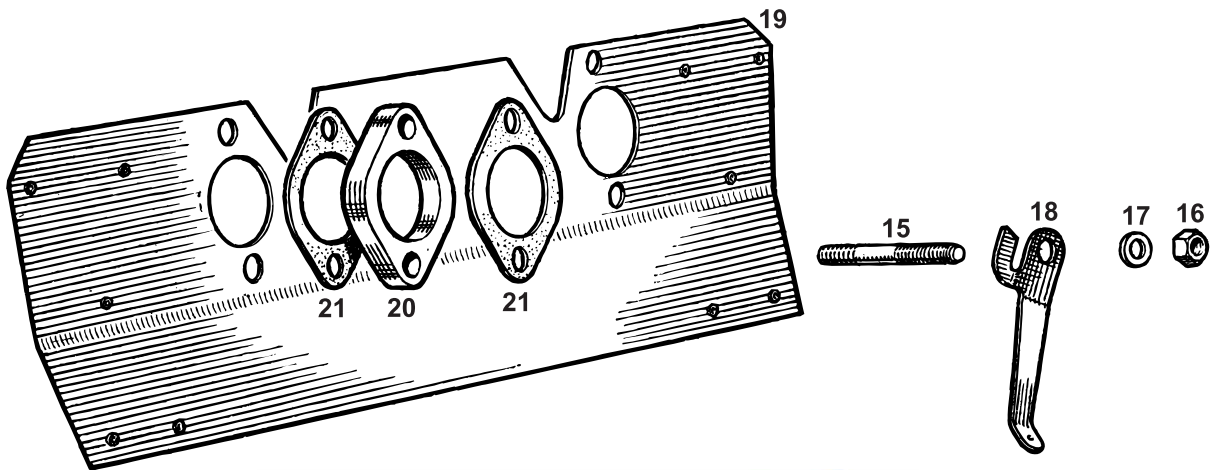
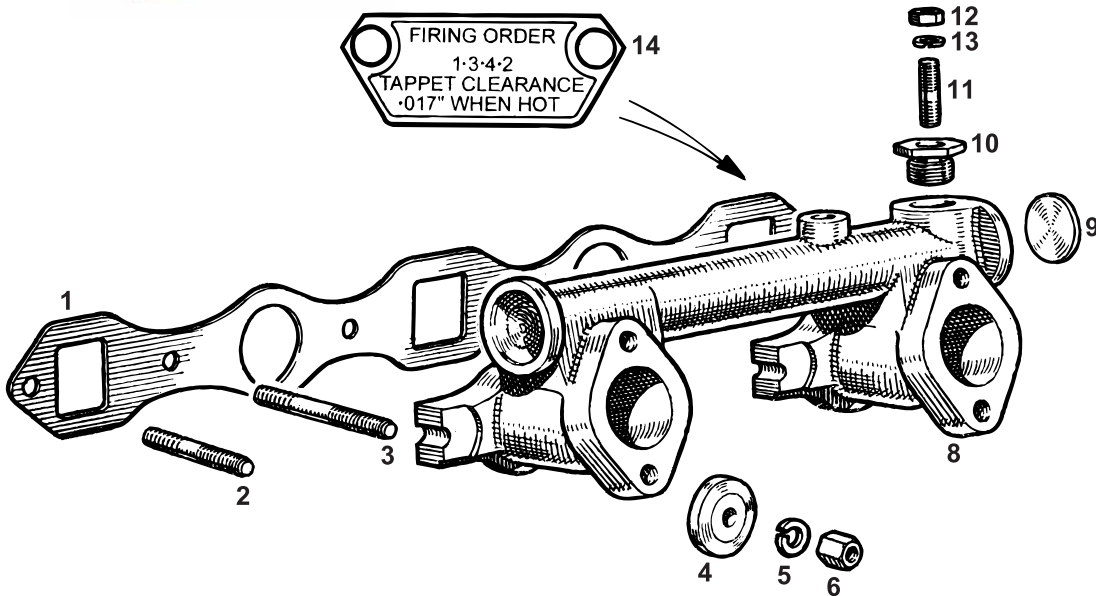
Telephone: 01954 230928 Fax: 01954 231923, Buy online: www.mgocspares.co.uk



MGA
1500, 1600
& 1600 MkII



FIRING ORDER
1-3-4-2
TAPPET CLEARANCE
.017" WHEN HOT



© 2007 MGOC Spares Ltd

Telephone: 01954 230928 Fax: 01954 231923, Email: sales@mgocspares.co.uk



MGA
1500, 1600
& 1600 MkII



1	GUG4013MG	Gasket - Manifold	1
2	FHS2513	Stud - Manifold to Head - Outer	2
3	FHS2515	Stud - Manifold to Head - Inner	4
4	1G2418	Washer - Inner Manifold Stud	4
5	GHF332	Washer - Spring	6
6	AHH8382	Nut - Manifold	6
7	C084	Nut - Long - Manifold Set	1

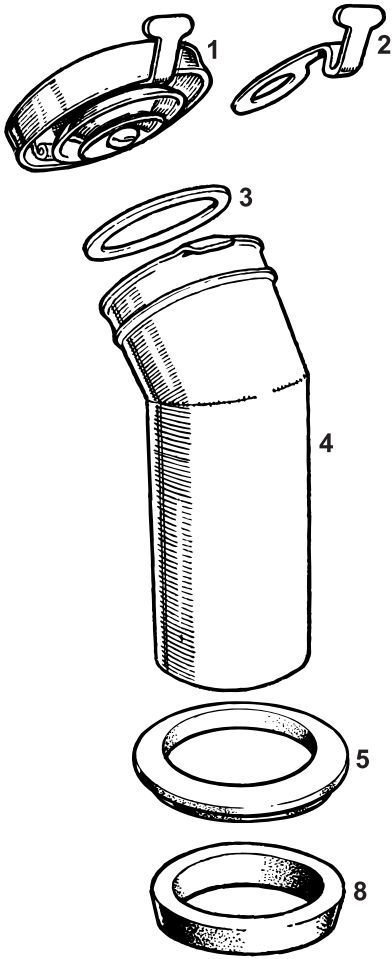
Far easier to get at than standard length nuts, these long brass nuts were most famously used by BMC's Special Tuning and Competitions departments

8	AEH660E	Manifold - Inlet - Exchange	1	
9	2K8159	Welch Plug	2	
10	AEH281	Plug - Adaptor	1	
11	AHH5299	Stud - Cable Bracket	2	
12	GHF202	Nut	2	
13	GHF333	Washer - Spring	2	
14	CRB204	Information Plate - Manifold	1	1500 (15GB/GD)
	CRB205	Information Plate - Manifold	1	1600, 1622 (16GA, 16GC)
15	53K2236	Stud - Carburetter Mounting	4	
16	GHF202	Nut - Carburetter Mounting	4	
17	GHF333	Washer - Spring	4	
18	AHH5339	Bracket - Return Spring	1	
19	AHH5533	Heatshield	1	For original H4 carburetters
20	AHH5713	Spacer - Carburetter Mounting	2	
21	AEH551	Gasket - Carburetter Mounting	6	
22	G011	Heatshield Set	1	For accessory HS6 carburetters

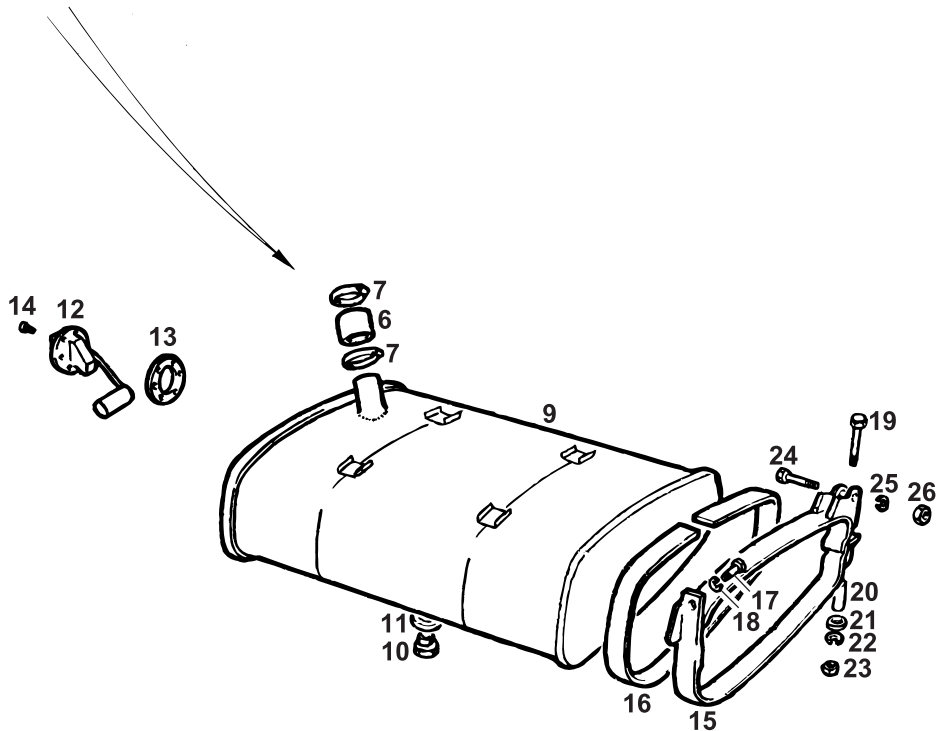
Telephone: 01954 230928 Fax: 01954 231923, Buy online: www.mgocspares.co.uk



MGA
1500, 1600
& 1600 MkII



27



© 2007 MGOC Spares Ltd

Telephone: 01954 230928 Fax: 01954 231923, Email: sales@mgocspares.co.uk



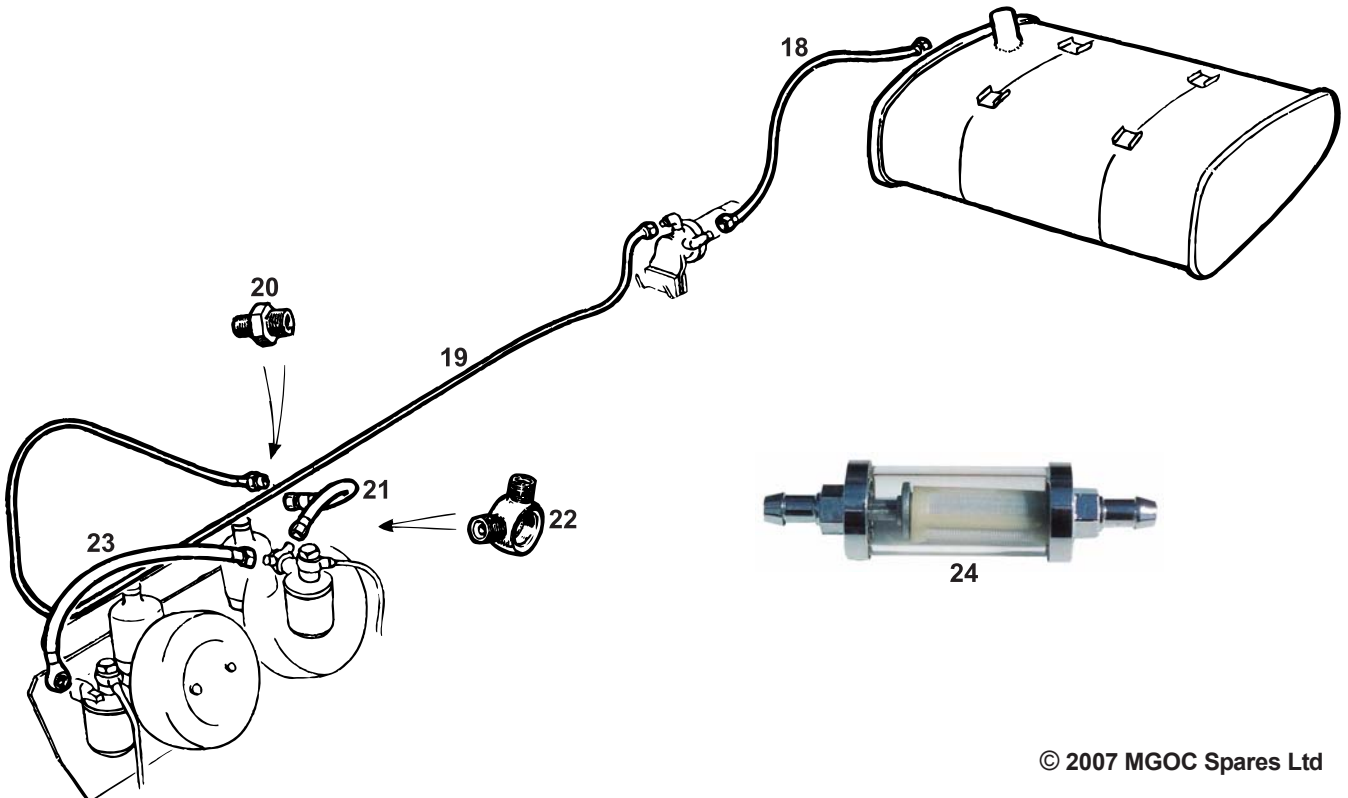
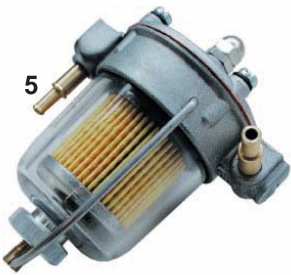
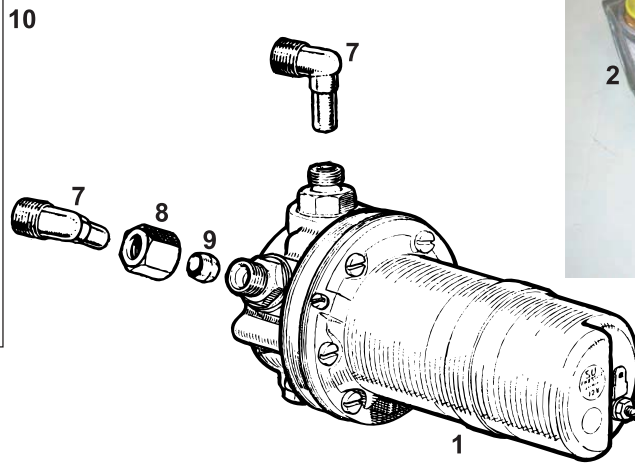
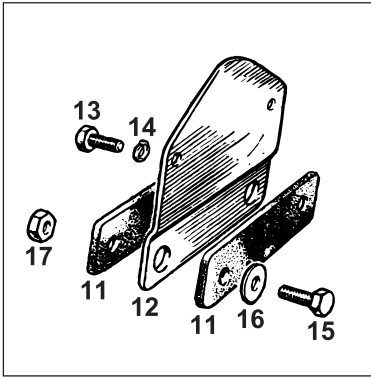
MGA
1500, 1600
& 1600 MkII



1	ACH5781	Petrol Cap	1	Original type with lever
2	97H474	Lever - Petrol Cap	1	
3	ACH5850	Seal - Cork - Petrol Cap	1	
4	AHH5104	Pipe - Filler Neck	1	
5	ACH5780	Grommet - Rubber - Filler Neck to Body ..	1	
6	UKC9920	Hose - Pipe to Tank	1	
7	GHC1622	Clip - Hose	2	
8	AHH5260	Seal - Filler Neck Pipe to Boot Floor	1	
9	AHH5121	Petrol Tank	1	
10	88G257	Drain Plug	1	
11	6K638	Washer - Sealing	1	
12	AHH5114	Tank Sender Unit	1	Original type
12	AAU8340	Tank Sender Unit	1	Replacement type
13	2H1082B	Seal - Cork	1	
14	53K165	Screw	6	
15	AHH5107	Mounting Strap	2	
16	AHH5115	Packing Strip	2	
17	SH605051	Screw	2	
18	GHF332	Washer - Spring	2	
19	BH604221	Bolt	2	
20	AHH5113	Tube - Distance	2	
21	GHF300	Washer - Plain	2	
22	GHF331	Washer - Spring	2	
23	GHF200	Nut	2	
24	GHF118	Bolt - Rear Mounting	2	
25	GHF331	Washer - Spring	2	
26	GHF200	Nut	2	
27	G770	Castrol Valvemaster Plus	A/R	

Reduces pinking and knocking or the need to retune the engine when using unleaded fuel (raises octane rating). Treats 250 litres of fuel.
Castrol Valvemaster Plus was shown to offer the highest level of protection of all products tested by the Federation of British Historic Vehicle Clubs.

Telephone: 01954 230928 Fax: 01954 231923, Buy online: www.mgocspares.co.uk





MGA
1500, 1600
& 1600 MkII



- | | | | | |
|---|-----------|---|--------|---|
| 1 | AZX1332 | Fuel Pump - Positive Earth |1 | |
| 2 | AZX1332EP | Fuel Pump - Positive Earth - Electronic | ...1 | Alternative with solid state electronic circuitry |
| 1 | AZX1331 | Fuel Pump - Negative Earth |1 | } Alternatives for negative earth converted cars |
| 3 | AZX1331EN | Fuel Pump - Negative Earth - Electronic | ...1 | |
| 4 | G060 | Electric Fuel Pump Kit - Performance |1 | |

The performance electric pump kit, which includes mountings, unions and filter, reliably sustains fuel pressure and flow at higher engine speeds. It must be used with fuel regulator G065 or G066.

- | | | | |
|---|------|------------------------------|--------|
| 5 | G065 | Fuel Regulator - Standard |1 |
| 6 | G066 | Fuel Regulator - Performance |1 |

A fuel regulator controls fuel flow for smooth idle and prevention of overflow. It maintains constant flow at high speeds when used with a performance electric high capacity pump. Also available are replacement filter elements.

- | | | | | |
|----|----------|-----------------------------------|--------|--|
| 7 | AUA1478 | Elbow - Inlet and Outlet |2 | |
| 8 | AAA17 | Nut - Union |2 | |
| 9 | AUA1486 | Olive - Union |2 | |
| 10 | AAA1477 | Pump Mounting Kit |1 | } Included in pump mounting kit |
| 11 | AAA260 | Packing - Rubber |2 | |
| 12 | AAA261 | Bracket - Pump Mounting |1 | |
| 13 | AJD6155Z | Screw - Pump to Bracket |2 | |
| 14 | GHF331 | Washer - Spring |2 | |
| 15 | GHF101 | Screw - Bracket to Chassis |2 | |
| 16 | GHF300 | Washer - Plain |2 | |
| 17 | GHF221 | Nut - Nyloc |2 | |
| 18 | AHH5290 | Pipe - Copper - Tank to Pump |1 | |
| 19 | AHH5288 | Pipe - Copper - Pump to Carb Hose |1 | |
| 20 | AHH5288X | Connector - Pipe to Hose |1 | |
| 21 | AHH5544 | Hose - Pipe to Rear Carburetter |1 | |
| 22 | AUC1832 | Banjo Union - Rear Carburetter |1 | |
| 23 | ACH8977 | Hose - Rear to Front Carburetter |1 | |
| 24 | G067 | In-Line Fuel Filter |1 | Chrome and toughened glass construction. |

Telephone: 01954 230928 Fax: 01954 231923, Buy online: www.mgocspares.co.uk



MGA
1500, 1600
& 1600 MkII

COOLING:

RADIATORS

HOSES

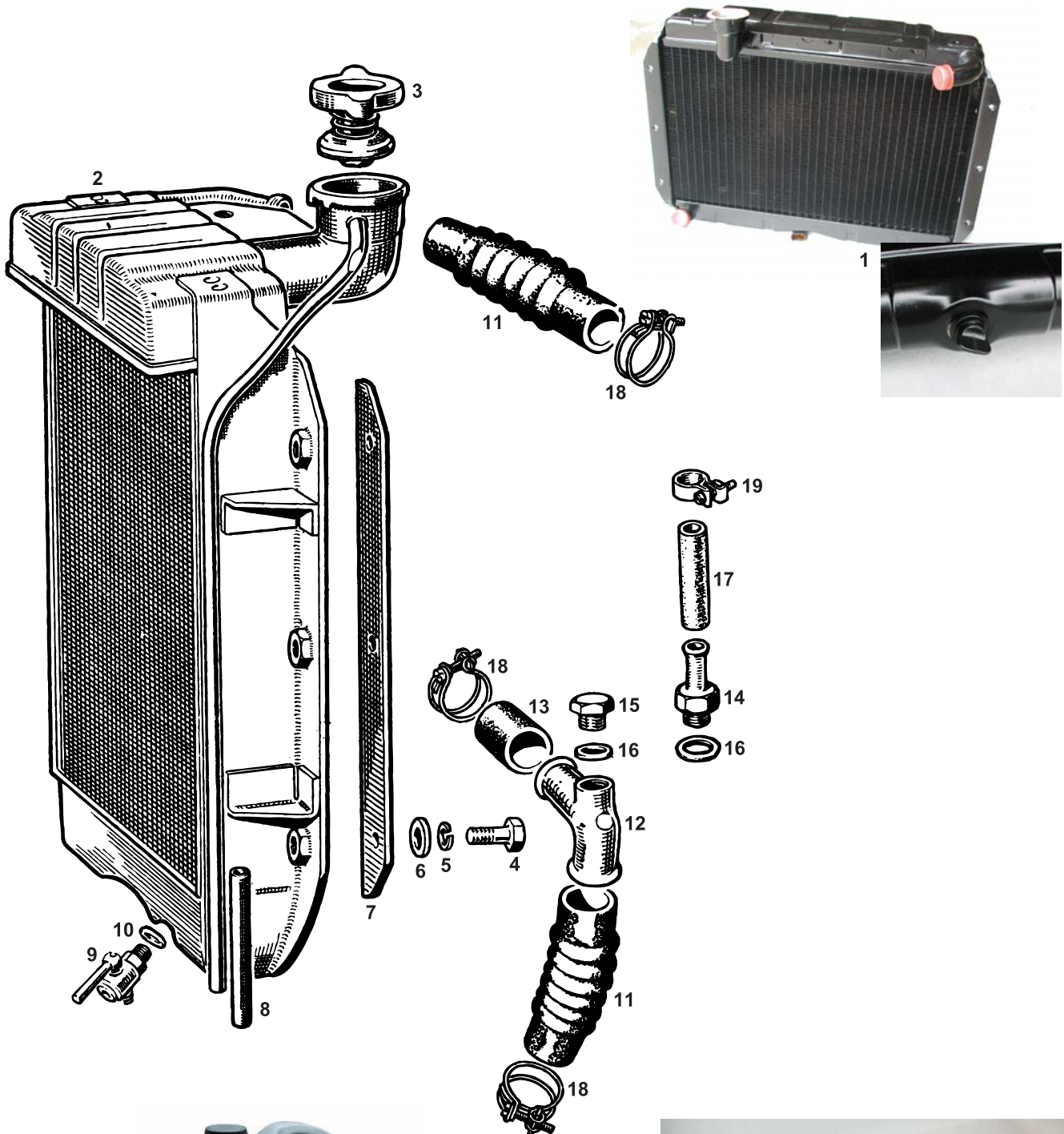
COOLANT



MGOC Spares & Accessories, Octagon House, Swavesey, Cambridge CB24 4QZ
Tel: 01954 230928 and 01954 231318 Email: sales@mgocspares.co.uk



MGA
1500, 1600
& 1600 MkII



© 2007 MGOC Spares Ltd

Telephone: 01954 230928 Fax: 01954 231923, Email: sales@mgocspares.co.uk



MGA
1500, 1600
& 1600 MkII



1	ARH120	Radiator - New1	Original specification item, featuring drain plug
2	ARH120E	Radiator - Reconditioned - Exchange1	
3	GRC103	Radiator Cap - 4 lbs1	Standard pressure
	GRC101	Radiator Cap - 7 lbs1	Increased pressure raises boiling point
4	GHF120	Screw6	
5	GHF332	Washer - Spring6	
6	GHF301	Washer - Plain6	
7	AHH5144K	Packing Kit - Radiator Mounting1	
8	GRH1001M	Overflow Hose A/R	
9	ARH1050	Drain Tap1	
10	ARH517	Washer - Sealing1	
11	GRH305	Hose - Top and Bottom2	
12	ACH5031	Elbow - Bottom Hose1	
13	FMK8859	Hose - Water Pump to Elbow1	
14	AMK8847	Connector - Heater Outlet1	When heater is fitted
15	AEK122	Plug - Elbow1	When heater not fitted
16	232043A	Washer - Sealing1	
17	GRH1006M	Heater Hose A/R	Sold per metre
18	HCS913	Clip - Top and Bottom Hose6	Wire type
	GHC913	Clip - Top and Bottom Hose6	Jubilee type
19	CS4012	Clip - Heater Hose2	Wire type
	GHC406	Clip - Heater Hose2	Jubilee type
20	F210	Kenlowe Hotstart1	
Pre-heats engine to normal working temperature before engine is started. Uses 220-240 Volt supply. Benefits include non-use of choke on start up and instant heat from heater.				
21	G231	Water Wetter - 335ml Bottle A/R	
This cooling system heat transfer agent lowers the engine temperature by up to 15°C. One bottle treats 15 litres of coolant.				
22	G230	Forlife Radiator Fluid A/R	
Protects against corrosion and scale, preserves hoses and gives frost protection down to -42°C. Maintains properties for 10 years.				

Telephone: 01954 230928 Fax: 01954 231923, Buy online: www.mgocspares.co.uk



MGA
1500, 1600
& 1600 MkII

EXHAUST:

SYSTEMS

TAIL PIPES

MANIFOLDS

BANDAGE

PASTE

PAINT



MGOC Spares & Accessories, Octagon House, Swavesey, Cambridge CB24 4QZ
Tel: 01954 230928 and 01954 231318 Email: sales@mgocspares.co.uk



MGA
1500, 1600
& 1600 MkII



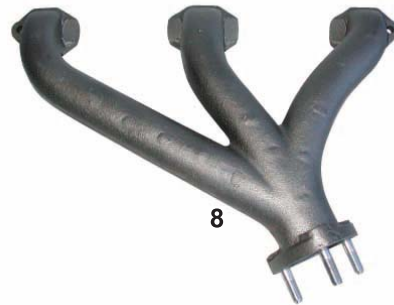
1



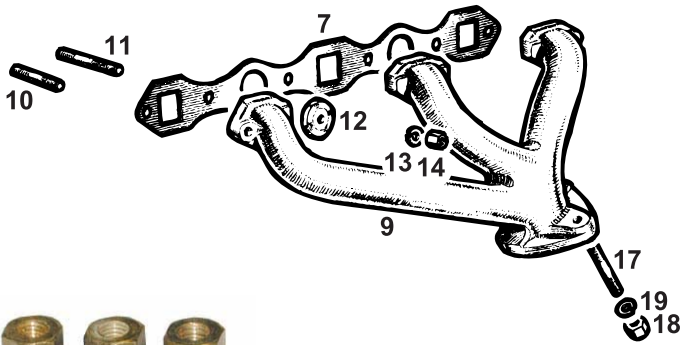
2

3

4



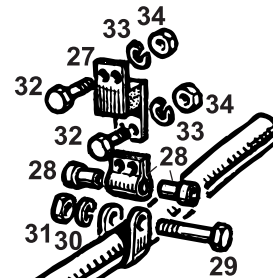
8



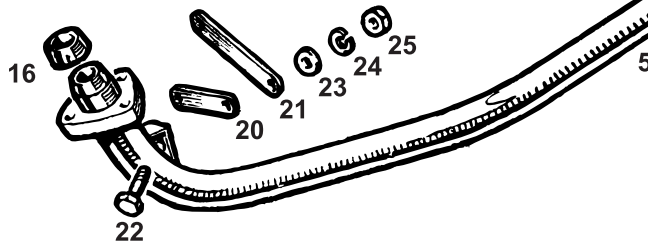
9



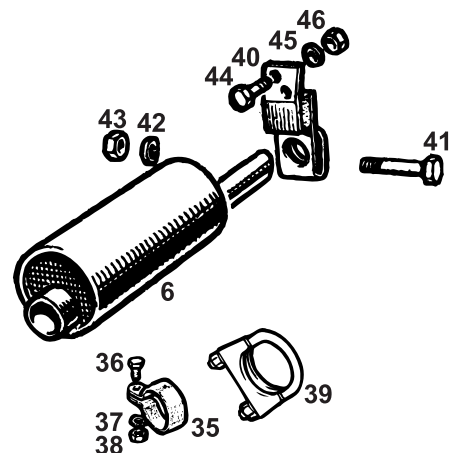
15



26



5



6

© 2007 MGOC Spares Ltd

Telephone: 01954 230928 Fax: 01954 231923, Email: sales@mgocspares.co.uk



MGA

1500, 1600 & 1600 MkII



1 B100 Club Stainless Steel Exhaust System 1

Manufactured to exacting Club standards by Double 'S' Exhausts, Britain's premier stainless exhaust company, the B100 system is made from 309 and 401 grade stainless steels and features a mirror-finish silencer. Produced to fine tolerances for easy DIY fitment, it comes with a lifetime guarantee.

2	C070	Exhaust Tail Trim - Polished - Straight 1	} Suitable for B100 exhaust system
3	C071	Exhaust Tail Trim - Polished - Curved 1	
4	C080	Exhaust Tail Trim - Polished - Lipped 1	

These tail trims are of excellent quality and come in a choice of chrome (C070 and C071) or stainless steel (C080).

5	GEX1315	Front Pipe Assembly - Mild Steel 1
	BMG17	Front Pipe Assembly - Stainless Steel 1
6	GEX3264	Silencer - Mild Steel 1
	BMG18	Silencer - Stainless Steel 1
7	GUG4013MG	Gasket - Manifold 1
8	C098A	Manifold - Exhaust - New 1
9	48G143E	Manifold - Exhaust - Recon Exchange . . . 1
10	FHS2513	Stud - Manifold to Head - Outer 2
11	FHS2515	Stud - Manifold to Head - Inner 4
12	1G2418	Washer - Inner Manifold Stud 4
13	GHF332	Washer - Spring 6
14	AHH8382	Nut - Manifold 6
15	C084	Nut - Long - Manifold Set 1

Manufactured to original specification

Far easier to get at than standard length nuts, these long brass nuts were most famously used by BMC's Special Tuning and Competitions departments

16	GEX7196	Down Pipe Seal 1
17	AEH194	Stud - Down Pipe 3
18	GHF262	Nut - Brass 3
19	GHF333	Washer - Spring 3
20	GEX7194	Strap - Front Mounting - Short 1
21	GEX7185	Strap - Front Mounting - Long 1
22	GHF120	Screw - Front Mounting 1
23	GHF301	Washer - Plain 1
24	GHF332	Washer - Spring 1
25	GHF201	Nut 1
26	EFK1	Mounting Kit - Intermediate 1
27	GEX7204	Mounting - Intermediate 1
28	GEX7182K	Bush and Bracket Kit 1
29	BH605221	Bolt 1
30	GHF332	Washer - Spring 1
31	GHF201	Nut 1
32	GHF117	Screw 4
33	GHF331	Washer - Spring 4
34	GHF200	Nut 2
35	GEX7506	Clamp - Silencer to Pipe 1
36	BH605221	Bolt - Clamp 1
37	GHF332	Washer - Spring 1
38	GHF201	Nut 1
39	GEX9008	Clamp - Silencer to Pipe 1
40	GEX7188	Mounting - Rear 1
41	BH604221	Bolt - Clamp 1
42	GHF331	Washer - Spring 1
43	GHF200	Nut 1
44	GHF117	Screw 2
45	GHF331	Washer - Spring 2
46	GHF200	Nut 2

Included in mounting kit

Original type

Replacement type

Telephone: 01954 230928 Fax: 01954 231923, Buy online: www.mgocspares.co.uk



MGA
1500, 1600
& 1600 MkII



1



2



3



4



5



MGA
1500, 1600
& 1600 MkII



1 C061 Exhaust Manifold Wrap1
Thermal protection plus extra horsepower! Easy to fit, using C067 Wrap Fixings Set.

2 C067 Exhaust Wrap Fix Set1

3 C068 Exhaust Aluminium Cloth - 1m x 1m1

This aluminised fabric sheeting has a multitude of uses, including engine bay and bonnet protection.

4 C051 High Temperature Exhaust Paint - Black A/R

C050 High Temperature Exhaust Paint - Silver A/R

C052 High Temperature Exhaust Paint - Red A/R

C053 High Temperature Exhaust Paint - White A/R

5 C097 Exhaust Jointing Seal A/R

Telephone: 01954 230928 Fax: 01954 231923, Buy online: www.mgocspares.co.uk



MGA
1500, 1600
& 1600 MkII

TRANSMISSION:

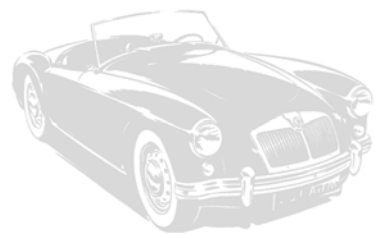
EXTERNAL GEARBOX

GEAR KNOBS

5 SPEED CONVERSION

LUBRICANTS

INTERNAL GEARBOX



MGOC Spares & Accessories, Octagon House, Swavesey, Cambridge CB24 4QZ
Tel: 01954 230928 and 01954 231318 Email: sales@mgocspares.co.uk



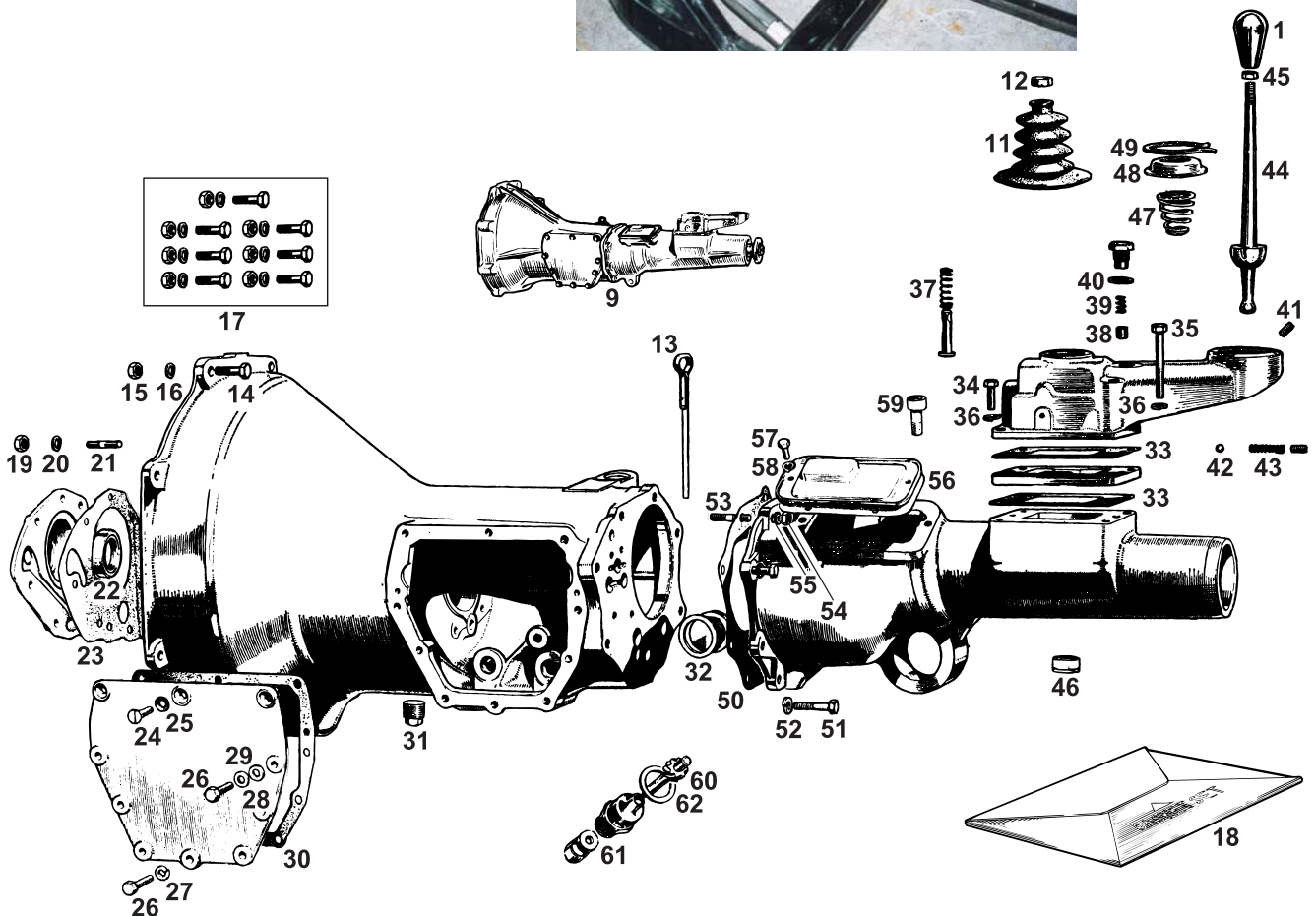
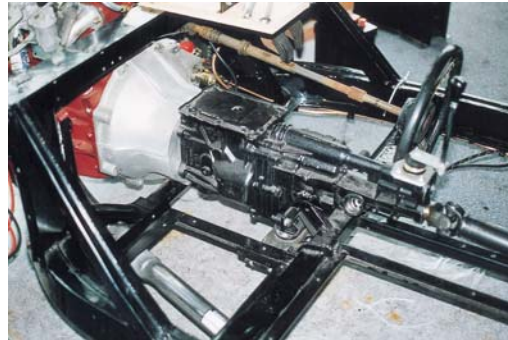
MGA
1500, 1600
& 1600 MkII



63



64



© 2007 MGOC Spares Ltd

Telephone: 01954 230928 Fax: 01954 231923, Email: sales@mgocspares.co.uk



MGA
1500, 1600
& 1600 MkII



1	1G3706	Gear Knob - Original Style	1
2	R280	Gear Knob - Wood	1
3	R281	Gear Knob - Leather - Black	1
4	R282	Gear Knob - Leather - Tan	1
5	R283	Gear Knob - Metal - Polished	1
6	R285AA	Gear Knob - Leather - Black	1
7	R385	Gear Knob - Leather and Polished Metal	1
8	S065	Gear Knob - Walnut	1
9	-	Gearbox - Reconditioned - Exchange	1
9	1H3167E	Gearbox - Reconditioned - Exchange	1
9	1H3167QE	Gearbox - Reconditioned - Exchange	1
9	1H3362E	Gearbox - Reconditioned - Exchange	1
9	1H3362QE	Gearbox - Reconditioned - Exchange	1
9	48G252E	Gearbox - Reconditioned - Exchange	1

Early 1500. With sliding spline propshaft joint; up to gearbox no A101. Available on a 'price on application' basis.

Early 1500. With sliding spline propshaft joint; gearbox no A101 to end of 15GB engine numbers.

Application as per 1H3167E. Includes increased number of new parts, over and above standard reconditioning scheme.

Late 1500, 1600 and early 1622. With flanged propshaft joint and 10 spline input shaft; 15GD, 16GA, up to 16GC3928.

Application as per 1H3362E. Includes increased number of new parts, over and above standard reconditioning scheme.

Late 1622. With flanged propshaft joint and 23 spline input shaft; 16GC3929 onwards. Available on 'price on application' basis

Note that in some instances, due to a lack of serviceable core units, customers may be asked to provide their own gearboxes for reconditioning. Please contact our Spares team for more information.

10	G806E	Gearbox - 5 Speed - Sierra Type	1
----	-------	---------------------------------	---

The Type 9 Ford Sierra gearbox is not included with the 5 speed conversion kits; it is available from stock as a reconditioned outright sale with new bearings, seals, gaskets and selected serviceable components. Five speed conversion kits comprise a modified bell housing, propshaft, speedo cable, mountings, fittings and installation instructions. Offering relaxed cruising in 5th gear, this gearbox conversion also features better acceleration due to a higher 2nd gear and improved overall fuel economy - plus, of course, the great benefit of synchromesh on all forward gears.

10	G815Q	Gearbox - 5 Speed - Conversion Kit	1
10	G816Q	Gearbox - 5 Speed - Conversion Kit	1
10	G820	Gearbox - 5 Speed - Conversion Kit	1
10	G820Q	Gearbox - 5 Speed - Conversion Kit	1
10	G821	Gearbox - 5 Speed - Conversion Kit	1
10	G821Q	Gearbox - 5 Speed - Conversion Kit	1
11	14A1468	Grommet - Gear Lever	1
12	AHH5388	Ring - Chrome	1
13	1G3802	Dipstick - Oil	1
14	BH605101	Bolt - Gearbox to Engine	7
14	BH605101	Bolt - Gearbox to Engine	1
14	BH605151	Bolt - Gearbox to Engine	2
14	BH605201	Bolt - Gearbox to Engine	4
15	GHF201	Nut	7
16	GHF332	Washer - Spring	7
17	MBK101	Bolt Kit - Gearbox to Engine	1
18	BGK101	Gasket Set - Gearbox	1
19	GHF201	Nut - Front Cover	7
20	GHF332	Washer - Spring	7
21	52K485	Stud - Front Cover - Fine/Fine Thread	7
21	53K2172	Stud - Front Cover - Fine/Coarse Thread	7
22	88G545	Oil Seal - Front Cover	1

1500 right hand drive; Quickshift type
1500 left hand drive; Quickshift type
1600 right hand drive
1600 right hand drive; Quickshift type
1600 left hand drive
1600 left hand drive; Quickshift type

Smooth case gearbox

Ribbed case gearbox

Ribbed case gearbox; - includes items 14 to 16

To gearbox A915. No longer available
From gearbox A916 onwards
From gearbox A8011 onwards

Gearboxes up to A8010 had a front cover without an oil seal (they used a scroll instead). A later type front cover with oil seal may be fitted if desired.

23	1G3666	Gasket - Front Cover	1
24	52K1226	Screw - C/sunk - Side Cover	3
24	53K162	Screw - C/sunk - Side Cover	3
25	6K9012	Washer - Shakeproof	3
26	52K2037	Screw - Hex Head - Side Cover	7
26	SH505071	Screw - Hex Head - Side Cover	7
27	GHF332	Washer - Spring	6
28	GHF301	Washer - Plain	1
29	2K4958	Washer - Fibre	1
30	1G3658	Gasket - Side Cover	1
31	6K499	Drain Plug	1
31	2K5830	Drain Plug	1
32	2K4971	Washer - Sealing Control Boss Cap	1
33	1G3711	Gasket - Remote	2
34	BH605091	Bolt - Remote to Rear Extension - Short	2
35	BH605221	Bolt - Remote to Rear Extension - Long	2
36	GHF332	Washer - Spring	4
37	1G3863	Spring - Reverse Selector Plunger	1
38	AEG3124	Plunger	1
39	AEG3123	Spring - Plunger	1
40	AEG3122	Washer, Plunger Cap	1
41	AEG3106	Pin	1
42	BLS110	Ball - Plunger	1
43	22A75	Spring - Plunger	1
44	AEG3112	Gear Lever	1
45	FNP205	Lock Nut - Gear Knob	1
46	22H15	Bush - Gear Lever - One Piece	1
47	11G3144	Spring - Gear Lever	1

To gearbox A915 (fine thread). No longer available
From gearbox A916 onwards (coarse thread)

To gearbox A915 (fine thread). No longer available
From gearbox A916 onwards (coarse thread)

15GB engine nos.
15GD, 16GA, 16GC engine nos.

Replaces original split type bush



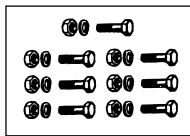
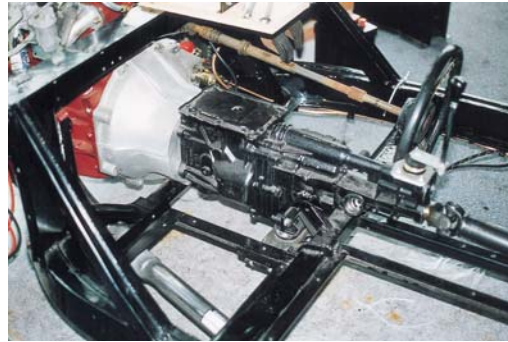
MGA
1500, 1600
& 1600 MkII



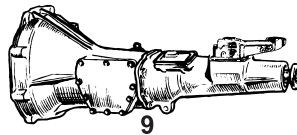
63



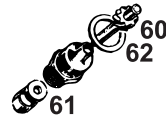
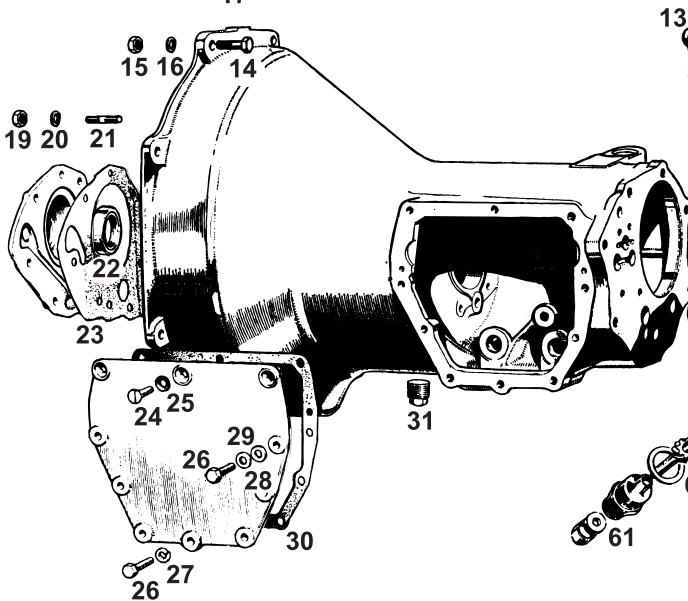
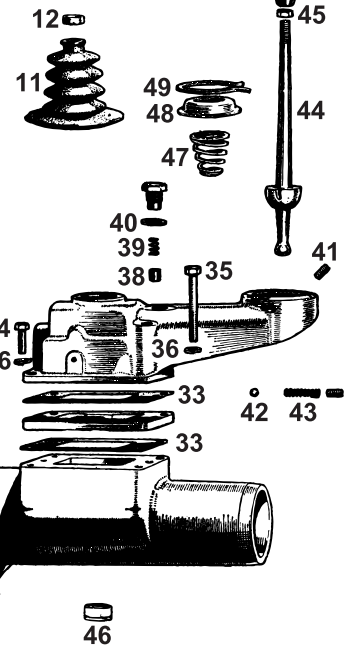
64



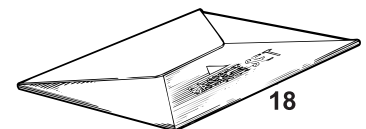
17



9



61



18



MGA
1500, 1600
& 1600 MkII



48	1G3927	Retainer - Gear Lever1
49	1H3087	Circlip1
50	1G3712	Gasket - Casing to Rear Extension1
51	SH605091	Screw - Rear Extension to Casing7
51	SH505101	Screw - Rear Extension to Casing6
52	GHF332	Washer - Spring 7/6
53	52K487	Stud - Rear Extension to Casing 1
53	CHS2513	Stud - Rear Extension to Casing2
54	GHF201	Nut 1/2
55	GHF332	Washer - Spring 1/2
56	1G3810	Gasket - Cover to Rear Extension 1
57	SH504051	Screw - Cover to Rear Extension6
58	GHF331	Washer - Spring6
59	21H6060	Breather 1
60	1H3241	Pinion - Speedometer Drive1
61	AAU2304A	Seal - Pinion 1
62	88G208	Washer 1
63	G621	Castrol EP90 Gear Oil - 1 Litre A/R
64	G620	Castrol EPX80w/90 Gear Oil - 1 Litre A/R

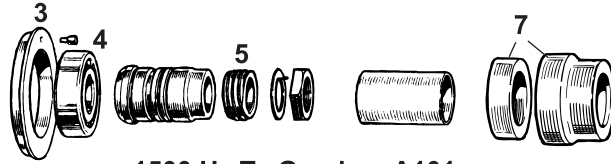
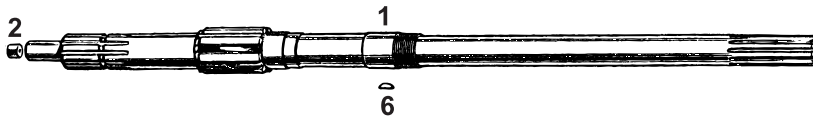
To gearbox A915 (fine thread)
From gearbox A916 onwards (coarse thread)
Qty reduces from gearbox A916 onwards
To gearbox A915 (fine/fine thread). No longer available
From gearbox A916 onwards (fine/coarse thread)
Qty increases from gearbox A916 onwards

For gearboxes and differentials requiring SAE90
For differentials requiring SAE 80W/90

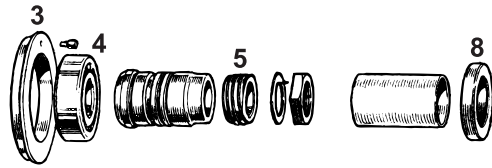
Telephone: 01954 230928 Fax: 01954 231923, Buy online: www.mgocspares.co.uk



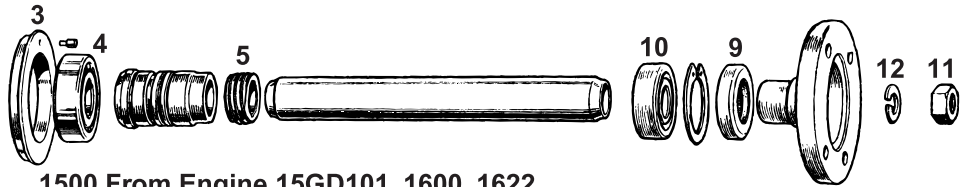
MGA
1500, 1600
& 1600 MkII



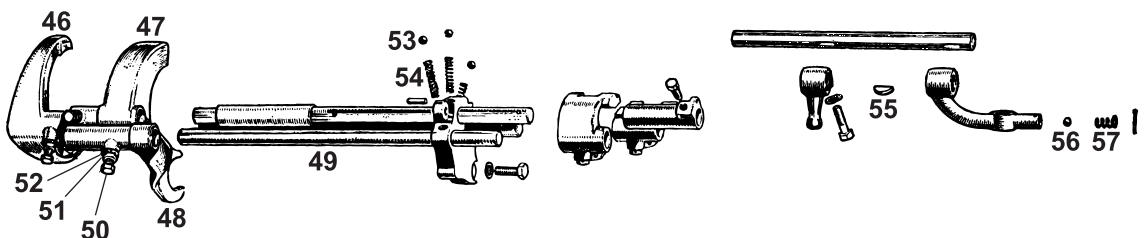
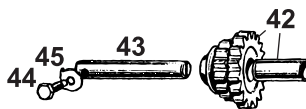
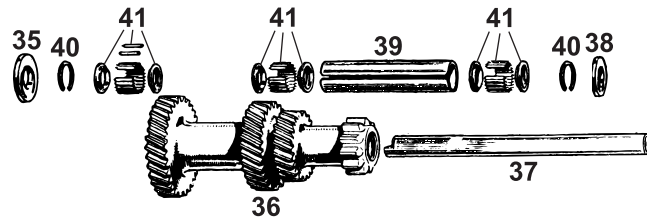
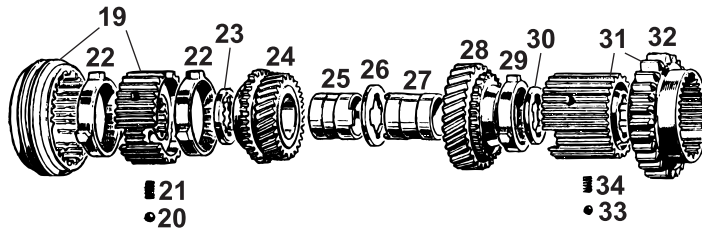
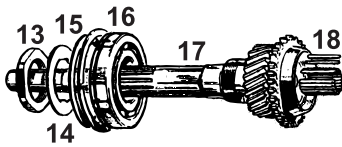
1500 Up To Gearbox A101



1500 From Gearbox A101 To Engine 15GD101



1500 From Engine 15GD101, 1600, 1622





MGA

1500, 1600 & 1600 MkII



1	11G3035	Shaft - 3rd Motion - Sliding Joint P/shaft . . . 1
1	11G3221	Shaft - 3rd Motion - Sliding Joint P/shaft . . . 1
1	1H3277	Shaft - 3rd Motion - Flanged Joint P/shaft . . . 1
2	1A1964	Restrictor - Oil 1
3	1G3586	Housing - 3rd Motion Shaft Bearing 1
4	503791	Bearing - 3rd Motion Shaft 1
5	-	Gear - Speedometer Drive 1

1500 up to gearbox no A101
1500 from gearbox no A101 to engine no 15GD101
1500 from engine no 15GD101, 1600, 1622

N.B. Two different speedometer drive gears were fitted in the MGA gearbox, neither of which are easily obtainable at time of writing. The nuts and washers locking them in place and the 3rd motion shaft bush (replaced by a bearing in flanged joint gearboxes) in sliding joint type gearboxes are similarly scarce. Please contact us for future availability details.

6	WKN304	Woodruff Key 1
7	11G3147Z	Oil Seal - Rear - Sliding Joint Type 1
8	RTC447A	Oil Seal - Rear - Sliding Joint Type 1
9	1H3275	Oil Seal - Rear - Flanged Joint Type 1
10	6K529	Bearing - Rear - 3rd Motion Shaft 1
11	FNZ612	Nut - Flange Retaining 1
12	WL600121	Washer - Spring 1
13	1G3584	Nut - 1st Motion Shaft 1
14	1A3717	Lock Washer - 1st Motion Shaft 1
15	6K907	Shim - 0.002" - 1st Motion Shaft A/R
15	6K908	Shim - 0.004" - 1st Motion Shaft A/R
16	6K885	Bearing - 1st Motion Shaft 1
17	1G3611	1st Motion Shaft - 10 Spline Type 1
17	22H56	1st Motion Shaft - 23 Spline Type 1
18	8G2404	Needle Roller 18
19	48G438	Synchro Hub - 3rd and 4th Speed 1
20	BLS109	Ball 3
21	6K884	Spring 3
22	11G3022	Baulk Ring - 3rd and 4th Gears 2
23	11G3127	Thrust Washer - 0.157" A/R
23	11G3128	Thrust Washer - 0.159" A/R
23	11G3129	Thrust Washer - 0.161" A/R
24	1G3594	Gear - 3rd Speed 1
25	11G3029	Bush - 3rd Gear Locating 1
26	1G3331	Ring - Interlocking 1
27	11G3028	Bush - 2nd Gear Locating 1
28	22H230	Gear - 2nd Speed 1
29	11G3063	Baulk Ring - 2nd Gear - Bronze 1
29	22H249	Baulk Ring - 2nd Gear - Steel 1
30	1G3492	Thrust Washer - Rear 1
31	48G422	Gear Assembly - 1st Speed 1
32	22H906	Gear - 1st Speed - Outer Only 1
33	BLS109	Ball 3
34	6K884	Spring 3
35	1G3576	Thrust Washer - Laygear - Front 1
36	22H54	Laygear 1
37	1H3305	Layshaft 1
38	1G3577	Thrust Washer - Laygear - Rear - 0.155" A/R
38	1G3578	Thrust Washer - Laygear - Rear - 0.158" A/R
38	1G3579	Thrust Washer - Laygear - Rear - 0.160" A/R
38	1G3580	Thrust Washer - Laygear - Rear - 0.163" A/R
39	11G3026	Tube - Distance 1
40	11G3027	Spring Ring 4
41	AAU3052	Bearing - Laygear 3
42	22H83	Gear - Reverse Idler 1
43	88G258	Shaft - Reverse Idler 1
44	1G3581	Screw - Locking 1
45	1B3363	Lock Washer 1

1500 up to gearbox no A101 (seal in metal sleeve)
1500 from gearbox no A101 to engine no 15GD101 (seal in rear extn)

1500 from engine no 15GD101, 1600, 1622

1500, 1600, 1622 up to engine no 16GC3928
1622 from engine no 16GC3929 onwards

Improved replacement - must be used with 22H249 baulk ring
Use with original 2nd gear only
Use with improved 2nd gear 22H230 only

1500 gearboxes up to gearbox no A289 used different selectors, forks and shafts to those in later gearboxes. These parts are not available, and can only be replaced by complete sets of the later items.

46	1H3257	Selector Fork - 3rd and 4th Speed 1
47	11G3135	Selector Fork - 1st and 2nd Speed 1
48	11G3134	Selector Fork - Reverse 1
49	11G3137	Shaft - Reverse Fork 1
50	2A3492	Screw - Locating 3
51	FNZ504	Nut - Locking 3
52	GHF321	Washer - Shakeproof 3
53	BLS110	Ball - Fork Locating 3
54	22A75	Spring - Ball 3
55	WKN404	Woodruff Key - Front Selector Lever 1
56	BLS108	Ball - Remote Control Rear Lever 1
57	AEG3123	Spring - Ball 1

Telephone: 01954 230928 Fax: 01954 231923, Buy online: www.mgocspares.co.uk



MGA
1500, 1600
& 1600 MkII

DRIVE TRAIN:

CLUTCH

PROPSHAFT

AXLE

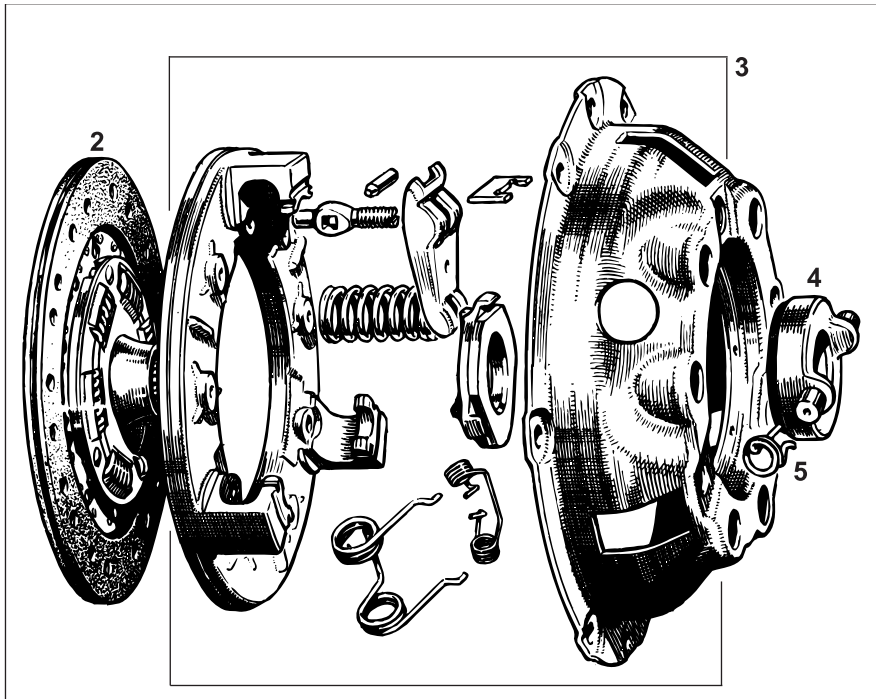
LUBRICANTS



MGOC Spares & Accessories, Octagon House, Swavesey, Cambridge CB24 4QZ
Tel: 01954 230928 and 01954 231318 Email: sales@mgocspares.co.uk



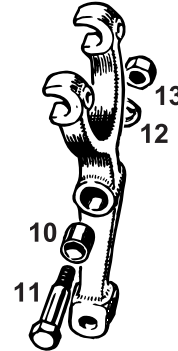
MGA
1500, 1600
& 1600 MkII



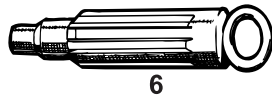
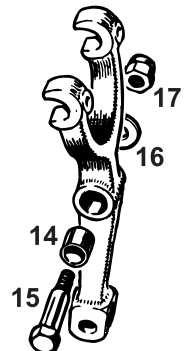
1



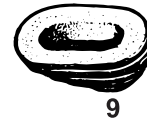
1500 Up To
Engine
15GB4524



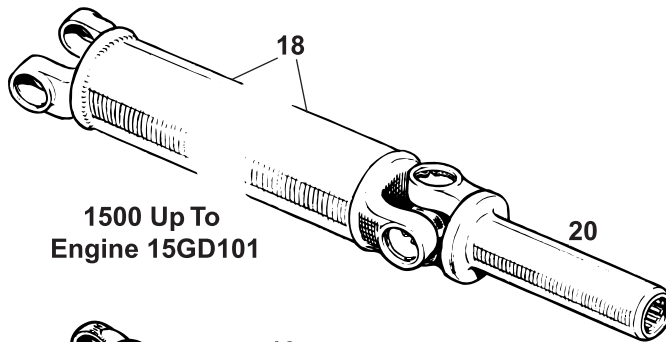
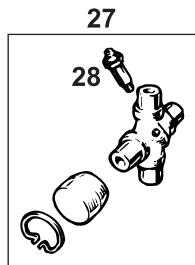
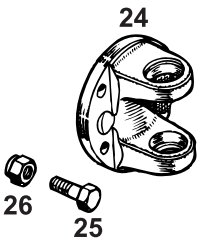
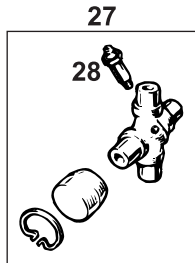
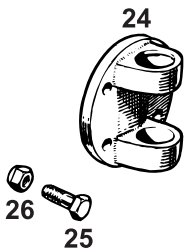
1500 From
Engine
15GB4525,
1600, 1622



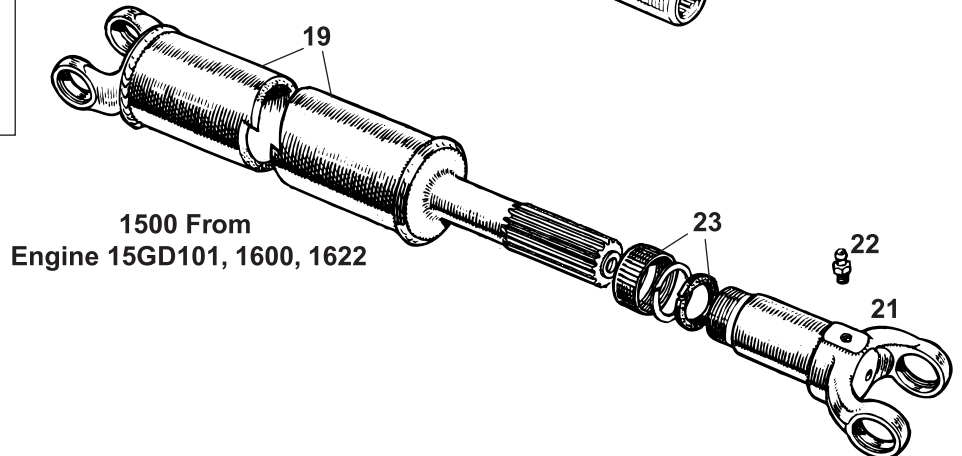
6



9



1500 Up To
Engine 15GD101



1500 From
Engine 15GD101, 1600, 1622



MGA
1500, 1600
& 1600 MkII

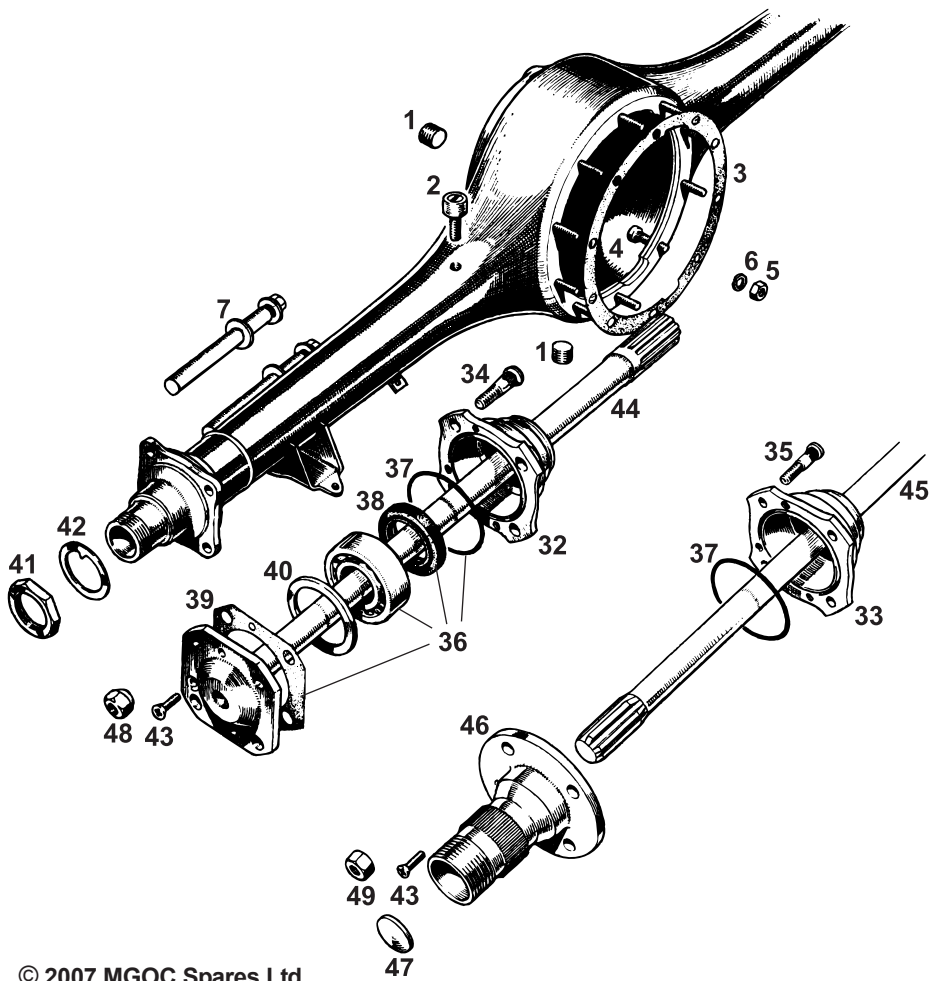
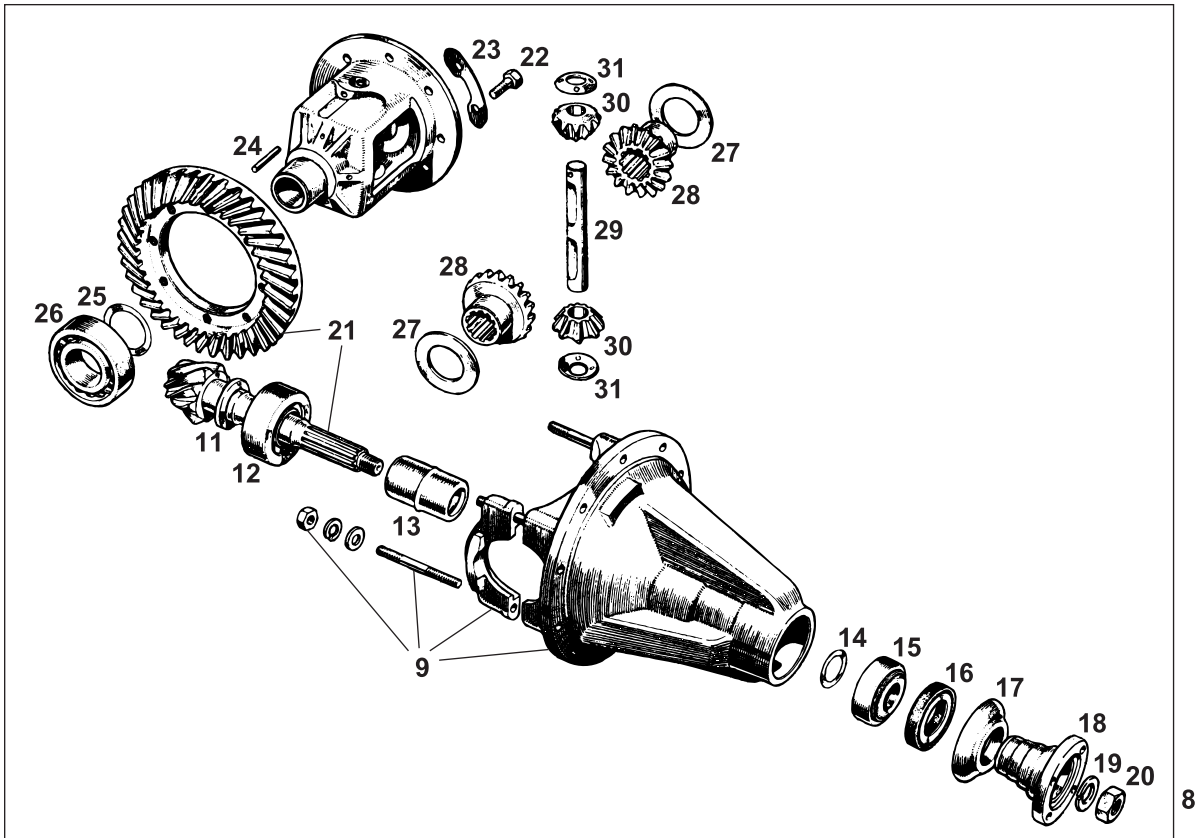


1	GCK257AF	Clutch Kit - 3 Piece - 10 Spline Type	1	1500, 1600, 1622 to engine no 16GC3828
1	GCK258AF	Clutch Kit - 3 Piece - 23 Spline Type	1	1622 from engine no 16GC3829 onwards
2	GCP132	Clutch Plate - 10 Spline Type	1	1500, 1600, 1622 to engine no 16GC3828
2	GCP116	Clutch Plate - 23 Spline Type	1	1622 from engine no 16GC3829 onwards
3	GCC108	Clutch Cover	1	
4	GRB103	Release Bearing	1	
5	7H3048	Clip - Bearing	2	
6	GAC5056	Clutch Alignment Tool - 10 Spline	1	1500, 1600, 1622 to engine no 16GC3828
6	GAC5057	Clutch Alignment Tool - 23 Spline	1	1622 from engine no 16GC3829 onwards
7	SH605071	Screw	6	
8	GHF332	Washer - Spring	6	
9	22H1337	Gaiter - Release Arm	1	
10	1G3582	Bush - Release Arm	1	
11	-	Bolt - Release Arm - Not Available	1	1500 up to engine no 15GB4524
This bolt may be replaced by 11G3196 so long as bush 11G3195 is also fitted.				
12	GHF333	Washer - Spring	1	1500 up to engine no 15GB4524
13	GHF202	Nut	1	
14	11G3195	Bush - Release Arm	1	
15	11G3196	Bolt - Release Arm	1	1500 from engine no 15GB4525, 1600, 1622
16	12H2178	Washer - Plain	1	
17	GHF223	Nut - Nyloc	1	
18	-	Propshaft - Sliding Joint - Reconditioned	1	1500 up to chassis no 20752. Available on 'price on application' basis
18	AHH5568	Propshaft - Sliding Joint - New	1	
18	AHH5568E	Propshaft - Sliding Joint - Recon Exchange	1	1500 from chassis no 20753 to engine no 15GD101
19	AHH5730	Propshaft - Flanged Joint - New	1	1500 from engine no 15GD101, 1600, 1622
20	-	Yoke - Front - Sliding Joint - Not Available	1	1500 up to engine no 15GD101
21	7H3865	Yoke - Front - Flanged Joint	1	
22	549229	Grease Nipple - Yoke	1	1500 from engine no 15GD101, 1600, 1622
23	7H3880X	Seal and Cap - Yoke - Improved Design	1	
24	7H3863	Flange	1/2	
25	AAA4039	Bolt - Flange	4/8	Qty increases from 1500 engine no 15GD101, 1600, 1622
26	LNZ105	Nut	4/8	
27	GUJ115	Universal Joint - With Grease Nipple	2	
27	GUJ101	Universal Joint - Sealed	2	Alternative
28	7H3858	Grease Nipple	2	Not for sealed universal joints

Telephone: 01954 230928 Fax: 01954 231923, Buy online: www.mgocspares.co.uk



MGA
1500, 1600
& 1600 MkII



© 2007 MGOC Spares Ltd

Telephone: 01954 230928 Fax: 01954 231923, Email: sales@mgocspares.co.uk



MGA

1500, 1600 & 1600 MkII



1	6K499	Drain and Filler Plug	2
2	21H6060	Breather	1
3	1G7465	Gasket - Differential	1
4	2A7226	Stud	10
5	GHF201	Nut	10
6	GHF332	Washer - Spring	10
7	ARB101	Repair Kit - Axle Strap Mounting	2
8	ATB7189E	Differential Assembly - 4.3:1 - Recon Exch	1
8	ATB7283E	Differential Assembly - 4.3:1 - Recon Exch	1
8	ATB7280E	Differential Assembly - 4.56:1 - Recon Exch	1
8	BTB217E	Differential Assembly - 4.3:1 - Recon Exch	1
8	BTB263E	Differential Assembly - 4.1:1 - Recon Exch	1
8	BTB216E	Differential Assembly - 4.56:1 - Recon Exch	1
9	ATB7181E	Housing - Differential - Recon Exchange	1
10	G920	Limited Slip Differential	1

With a standard MG differential, if one wheel loses grip the other loses power immediately. The limited slip differential compensates by transferring power evenly to both wheels, providing excellent grip when accelerating fast or when cornering hard.

For 10 spline half shafts, 1500. Available on 'one for one' basis
 For 10 spline half shafts, std fitment 1600
 For 10 spline half shafts, optional 1600
 For 25 spline half shafts, std fitment 1600
 For 25 spline half shafts, std fitment 1600 MkII
 For 25 spline half shafts, optional 1600, 1600 MkII

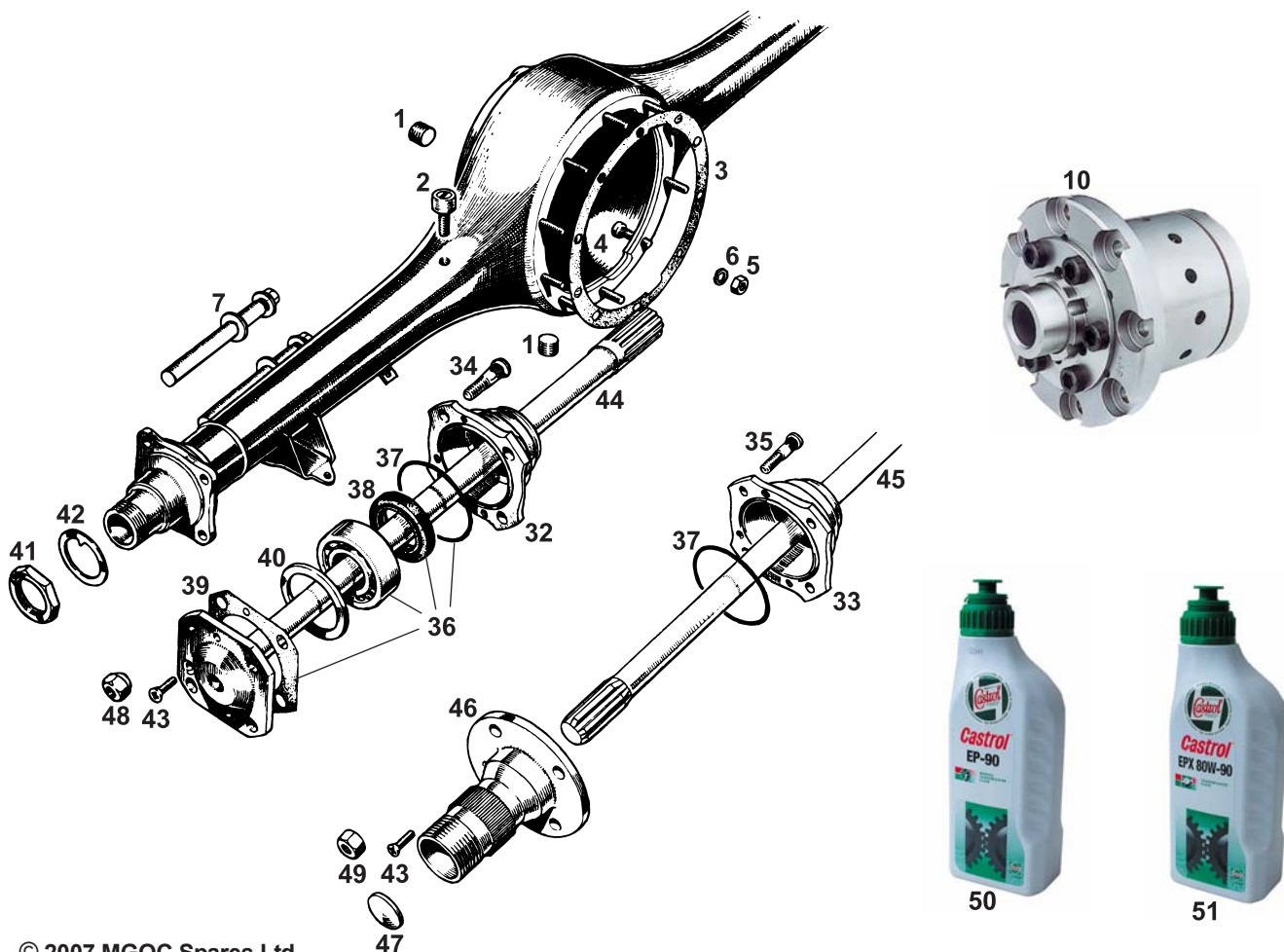
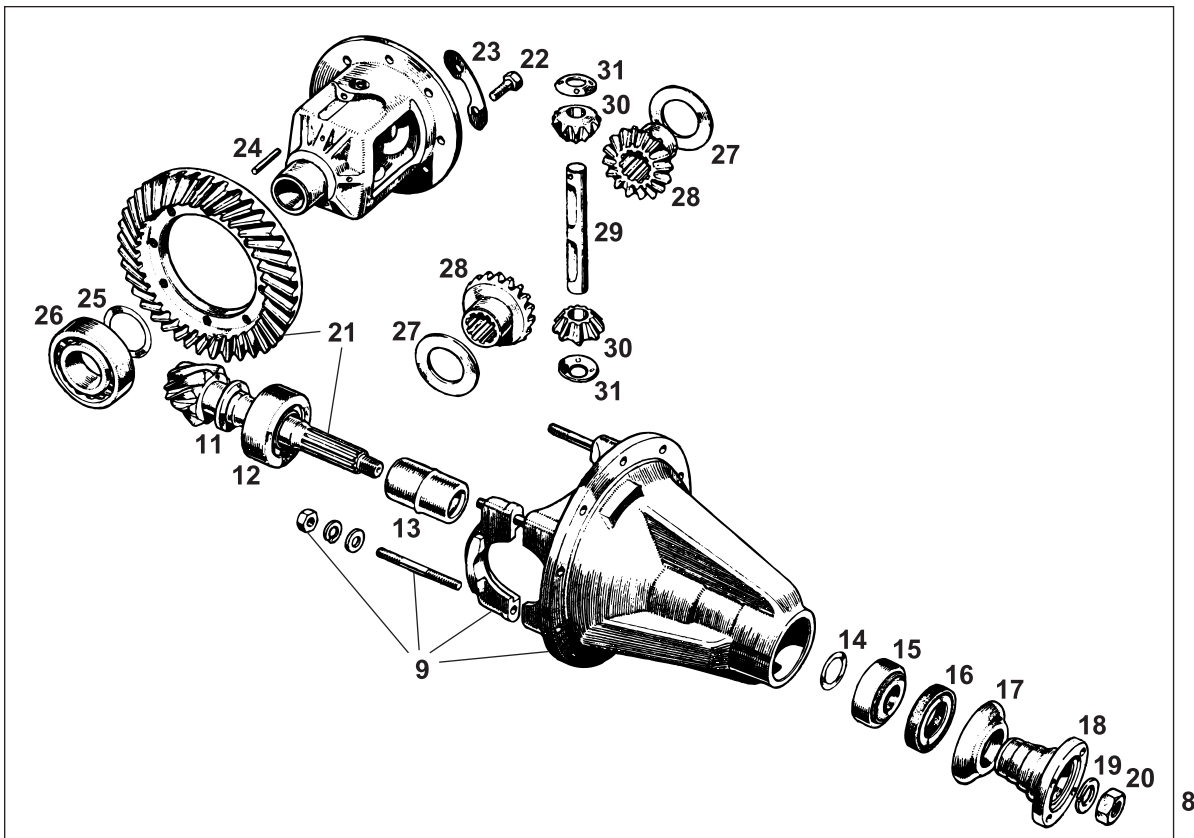
11	ATB7064	Washer - Pinion Thrust - 0.126"	A/R
11	ATB7065	Washer - Pinion Thrust - 0.124"	A/R
11	ATB7066	Washer - Pinion Thrust - 0.122"	A/R
11	ATB7067	Washer - Pinion Thrust - 0.120"	A/R
11	ATB7068	Washer - Pinion Thrust - 0.118"	A/R
11	ATB7069	Washer - Pinion Thrust - 0.116"	A/R
11	ATB7070	Washer - Pinion Thrust - 0.114"	A/R
11	ATB7071	Washer - Pinion Thrust - 0.112"	A/R
12	100897A	Pinion Bearing - Inner	1
13	1B7240	Bearing Spacer	1
14	ATB7102	Shim - Outer Bearing - 0.004"	A/R
14	ATB7103	Shim - Outer Bearing - 0.006"	A/R
14	ATB7104	Shim - Outer Bearing - 0.008"	A/R
14	ATB7105	Shim - Outer Bearing - 0.010"	A/R
14	ATB7106	Shim - Outer Bearing - 0.012"	A/R
14	ATB7107	Shim - Outer Bearing - 0.020"	A/R
14	ATB7108	Shim - Outer Bearing - 0.030"	A/R
15	2A7213	Pinion Bearing - Outer	1
16	88G320	Oil Seal	1
17	1G7439	Dust Cover	1
18	ATB7059	Flange	1
19	WL600121	Washer - Spring	1
20	FNZ612	Nut	1
21	88G283	Crown Wheel and Pinion - 4.3:1	1
21	ATB7240	Crown Wheel and Pinion - 4.1:1	1
21	88G284	Crown Wheel and Pinion - 4.56:1	1
21	BTB653	Crown Wheel and Pinion - 3.9:1	1
22	ATA7043	Bolt - Crown Wheel	8
23	6K875	Lock Washer	4
24	6K842	Peg - Pinion Pin	1
25	2K7993	Shim - 0.002"	A/R
25	ATB7239	Shim - 0.003"	A/R
25	2K7435	Shim - 0.004"	A/R
25	6K503	Shim - 0.006"	A/R
25	1G7600	Shim - 0.010"	A/R
26	CHM163	Bearing - Differential	2
27	ATB7072	Thrust Washer - Differential Gear	2
28	ATB7122	Differential Gear - 10 Spline	2
28	ATB7282	Differential Gear - 26 Spline	2
28	BTB150	Differential Gear - 25 Spline	2
29	1G7444	Pinion Pin	1
30	ATB7123	Pinion	2
31	1G7445	Thrust Washer - Pinion	2
32	ATB7352	Hub Assembly	2
33	ATB7391	Hub Assembly	2
34	1G7435	Stud	8
35	ATB7202	Stud	8
36	GHK1133	Wheel Bearing Kit	2
37	ATB7354	O Ring	2
38	GHS211	Oil Seal	2
39	GFG111	Gasket	2
40	1G7436	Spacer - Bearing	2
41	1G7448	Nut - Right Hand Thread	2
41	1G7448	Nut - Right Hand Thread	1
41	1G7582	Nut - Left Hand Thread	1
42	1G7584	Lock Washer - Rear Hub	2
43	SF604101	Screw - Half Shaft to Hub	2

Standard fitment 1500, 1600 MkI
 Standard fitment 1600 MkII
 } Optional

Use with 10 spline half shafts (originally 1500)
 Use with 26 spline half shafts (originally 1600)
 Use with 25 spline half shafts (originally 1600 and 1622)

Disc wheels
 Wire Wheels
 Disc wheels
 Wire Wheels
 Includes O ring, oil seal and gasket

Disc wheels
 1500 up to chassis no 11540
 1500 from chassis no 11540 on, 1600, 1622; for LEFT hand side of axle
 1500 from chassis no 11540 on, 1600, 1622; for RIGHT hand side of axle





MGA
1500, 1600
& 1600 MkII



44	ATB7190	Half Shaft - 10 Spline - Disc Wheels2	Use with 10 spline diff gear (originally 1500)
44	ATB7279	Half Shaft - 26 Spline - Disc Wheels2	Use with 26 spline diff gear (originally 1600)
44	BTB151	Half Shaft - 25 Spline - Disc Wheels2	Use with 25 spline diff gear (originally 1600 and 1622)
45	ATB7206	Half Shaft - 10 Spline - Wire Wheels2	Use with 10 spline diff gear (originally 1500)
45	ATB7386	Half Shaft - 26 Spline - Wire Wheels2	Use with 26 spline diff gear (originally 1600)
45	BTB153	Half Shaft - 25 Spline - Wire Wheels2	Use with 25 spline diff gear (originally 1600 and 1622)

Longer than standard wire wheel half shafts, the following allow the conversion of a disc wheel axle to wire wheels (longer because the disc wheel axle case is longer than the wire wheel type)

45	ATB7206S	Half Shaft - 10 Spline - Wire Wheel Conv .2	Use with 10 spline diff gear (originally 1500)
45	ATB7386S	Half Shaft - 26 Spline - Wire Wheel Conv .2	Use with 26 spline diff gear (originally 1600)
45	BTB153S	Half Shaft - 25 Spline - Wire Wheel Conv .2	Use with 25 spline diff gear (originally 1600 and 1622)
46	ATB7204	Hub - Splined - RH1	} Wire Wheels
46	ATB7205	Hub - Splined - LH1	
47	2K8160	Welch Plug2	
48	88G276	Nut - Disc Wheel8	
49	FNZ507	Nut - Wire Wheel8	
50	G621	Castrol EP90 Gear Oil - 1 Litre A/R	For gearboxes and differentials requiring SAE90
51	G620	Castrol EPX80w/90 Gear Oil - 1 Litre . . A/R	For differentials requiring SAE 80W/90

Telephone: 01954 230928 Fax: 01954 231923, Buy online: www.mgocspares.co.uk



MGA
1500, 1600
& 1600 MkII

SUSPENSION:

FRONT SUSPENSION

STUB AXLES/HUBS

REAR SUSPENSION

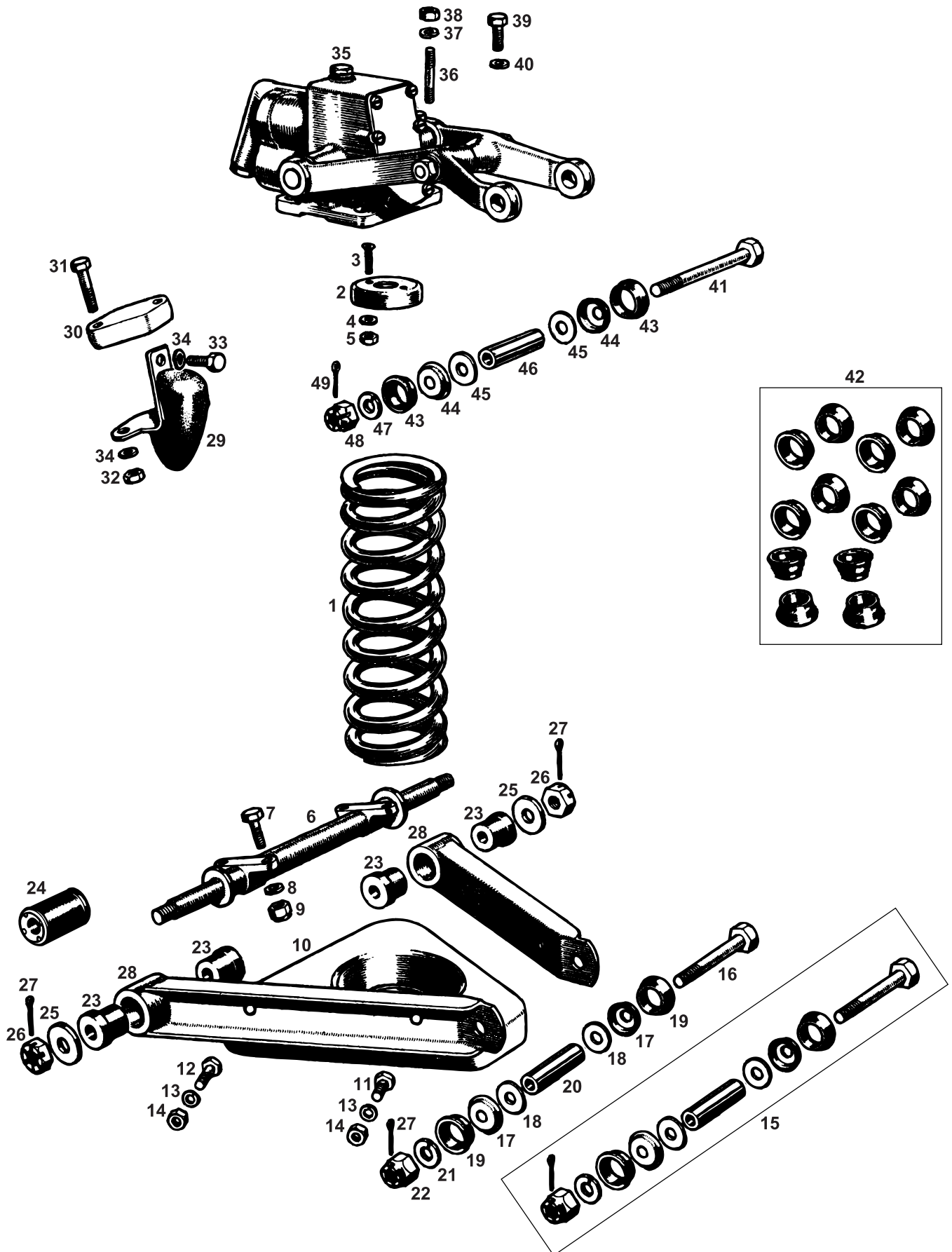
REAR SHOCKS/UPGRADES



MGOC Spares & Accessories, Octagon House, Swavesey, Cambridge CB24 4QZ
Tel: 01954 230928 and 01954 231318 Email: sales@mgoespares.co.uk



MGA
1500, 1600
& 1600 MkII



© 2007 MGOC Spares Ltd

Telephone: 01954 230928 Fax: 01954 231923, Email: sales@mgocspares.co.uk



MGA
1500, 1600
& 1600 MkII



1	MM264-330	Coil Spring	2
1	AHH6451	Coil Spring	2
2	AHH5897	Spigot - Spring	2
3	CMZ418	Screw	4
4	GHF331	Washer - Spring	4
5	GHF200	Nut	4
6	AHH4003	Pivot - Wishbone	2
7	ACB5255	Bolt - Pivot to Chassis	8
8	GHF333	Washer - Spring	8
9	GHF223	Nut - Nyloc	8
10	AHH5925	Spring Seat	2
11	SH605071	Screw - Outer Positions	4
12	GHF103	Screw - Inner Positions	4
13	GHF332	Washer - Spring	8
14	GHF201	Nut	8
15	BHH1773K	Bottom Trunnion Assembly	2
16	AHH4001	Trunnion Bolt	2
17	AAA1324	Seal Support	4
18	AAA1390	Thrust Washer	4
19	AAA1323	Seal - Bottom Trunnion	4
20	BHH1773	Distance Tube	2
21	GHF335	Washer - Spring	2
22	ND608041	Nut - Slotted	2
23	AHH7933	Bush - Wishbone - Inner	8
23	AHH7933P	Bush - Wishbone - Inner	8
23	AHH7933Q	Bush - Wishbone - Inner	8
24	BHH1123	Bush - Wishbone - Inner	4
25	AAA1330	Washer - Bush	4
26	ND608041	Nut - Slotted	4
26	GHF225	Nut - Nyloc	4
27	GHF504	Split Pin	6
28	AAA1326	Arm - Wishbone	4
29	AAA5023	Bump Stop	2
30	AAA5024	Spacer - Bump Stop	2
31	GHF104	Bolt	4
32	GHF201	Nut	4
33	SH605041	Screw	2
34	GHF332	Washer - Spring	6
35	AHH4004	Shock Absorber - New Replacement	2
35	AHH4004E	Shock Absorber - Reconditioned Exchange	2
36	AHH5070	Stud	8
37	GHF333	Washer - Spring	8
38	GHF202	Nut	8
39	GHF165	Screw	8
40	GHF333	Washer - Spring	8
41	AHH4002	Pin - Top Trunnion	2
42	ACG4030K	Seal Kit	1
43	AAA1323	Seal - Top Trunnion	4
44	AAA1324	Seal Support	4
45	AAA1390	Thrust Washer	4
46	BHH1773	Distance Tube	2
47	GHF335	Washer - Spring	2
48	ND608041	Nut - Slotted	2
49	GHF504	Split Pin	2

1500 up to chassis no 15151
1500 from chassis no 15152, 1600, 1600 MkII

Original fitment
Race
Road
Heavy duty one-piece alternative to AHH7933 (MGB V8 item)

Alternative (does not require split pin)

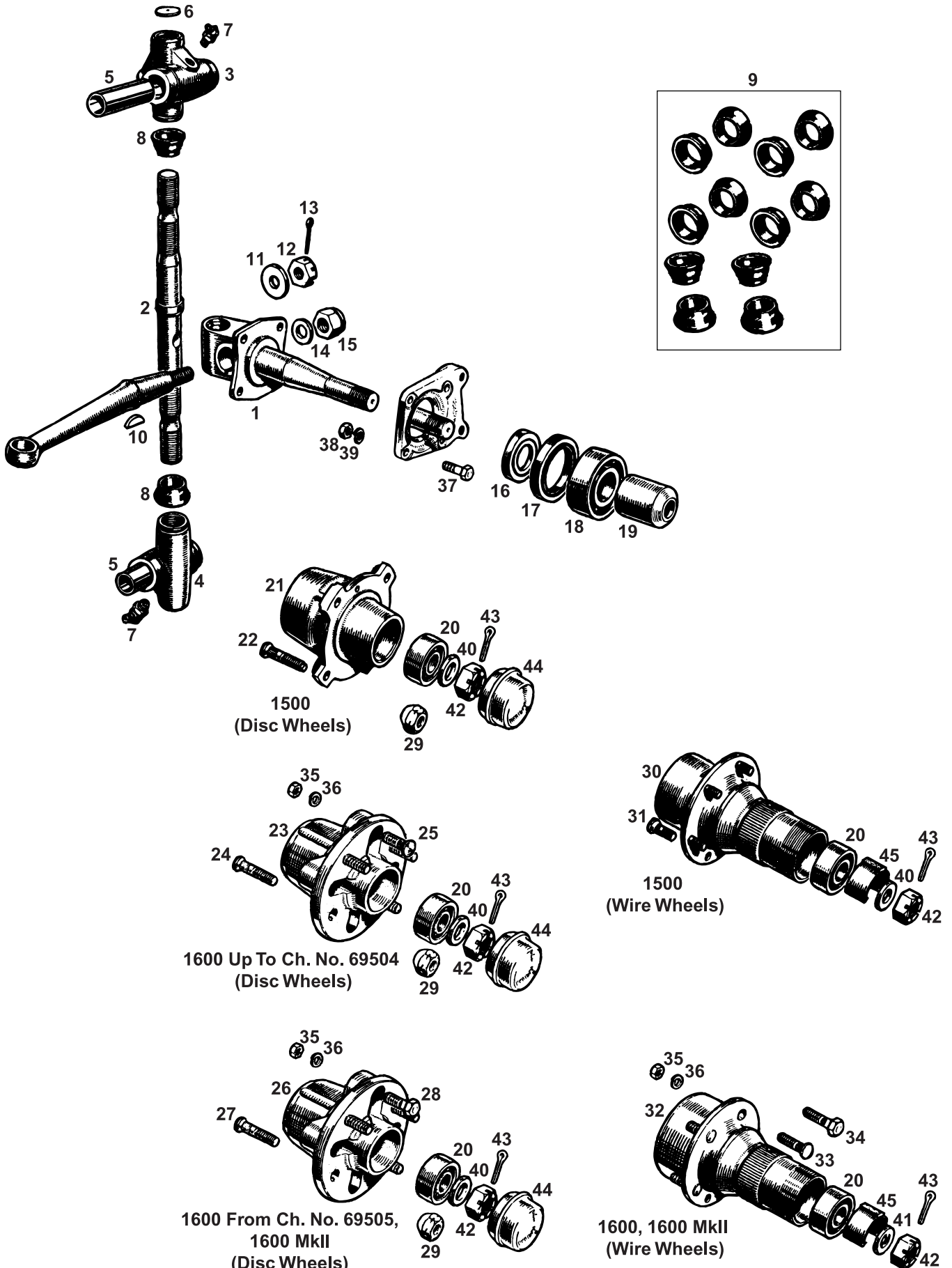
Original type
For original type shock absorbers
For new replacement shock absorbers

Includes 8 top and bottom trunnion seals and 4 swivel pin to trunnion seals

Telephone: 01954 230928 Fax: 01954 231923, Buy online: www.mgocspares.co.uk



MGA
1500, 1600
& 1600 MkII





MGA
1500, 1600
& 1600 MkII

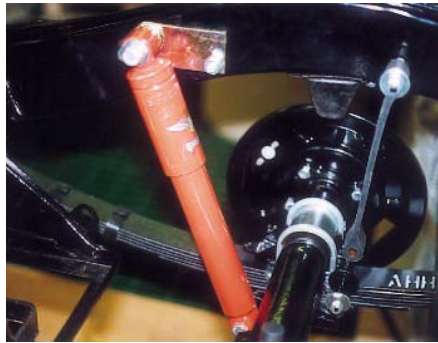
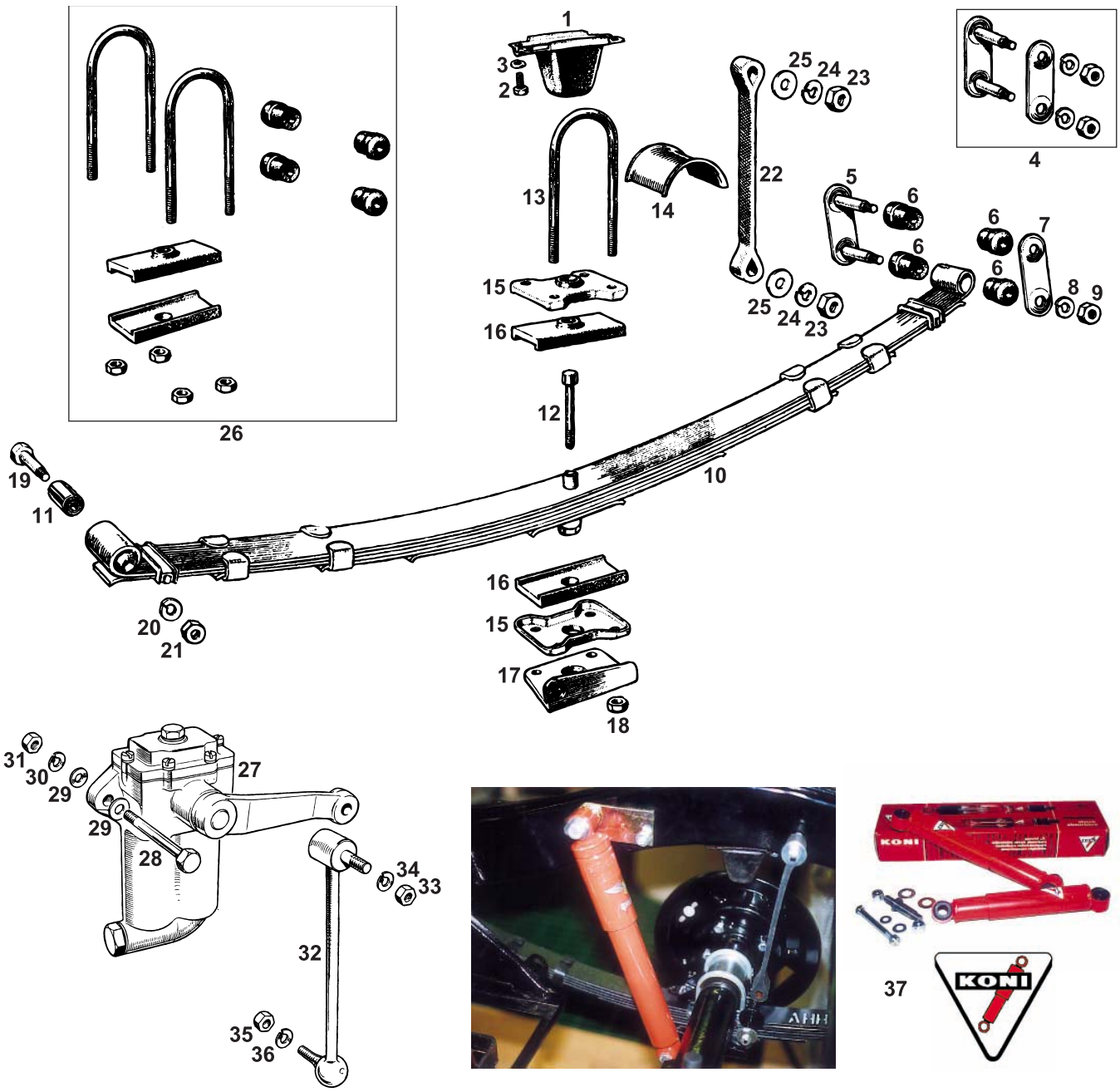


1	ATB4206E	Stub Axle - RH - Exchange	1	} 1500 up to chassis no 54246
1	ATB4207E	Stub Axle - LH - Exchange	1	
1	ATB4268E	Stub Axle - RH - Exchange	1	} 1500 from chassis no 54247, 1600, 1600 MkII
1	ATB4269E	Stub Axle - LH - Exchange	1	
2	ATB4218	Swivel Pin - RH	1	
2	ATB4219	Swivel Pin - LH	1	
3	ATB4208	Trunnion - Top - RH	1	} Includes 8 top and bottom trunnion seals and 4 swivel pin to trunnion seals
3	ATB4209	Trunnion - Top - LH	1	
4	ATB4212	Trunnion - Bottom - RH	1	
4	ATB4213	Trunnion - Bottom - LH	1	
5	BTB768	Bush - Trunnion	4	
6	ACA4010	Plug - Trunnion	4	
7	UHN405	Grease Nipple - Trunnion	4	
8	ACG4030	Seal - Swivel Pin to Trunnion	4	
9	ACG4030K	Seal Kit	1	
10	WKN506	Woodruff Key - Steering Arm	2	
11	GHF304	Washer - Plain	2	} 1500 up to chassis no 54246
12	ND608041	Nut - Slotted - Steering Arm	2	
13	GHF504	Split Pin	2	} 1500 from chassis no 54247, 1600, 1600 MkII
14	PWZ110	Washer - Plain	2	
15	GHF226	Nut - Nyloc - Steering Arm	2	
16	ACF4001	Spacer - Hub	2	
17	ACF4004	Oil Seal - Hub	2	} Disc wheel 1500
18	GHB177	Bearing - Wheel - Inner	2	
19	ACF4003	Spacer - Bearing	2	
20	GHB176	Bearing - Wheel - Outer	2	
21	ATB4067	Hub - Front - Drum Brake Type	2	
22	1G4359	Stud - Wheel	8	
23	BTB106	Hub - Front - Disc Brake Type	2	
24	ATC4257	Stud - Wheel	8	
25	BTB104	Stud - Disc Brake to Hub	8	
26	BTB149	Hub - Front - Disc Brake Type	2	
27	ATC4257	Stud - Wheel	8	} Disc wheel 1600 from chassis no 69505, 1600 MkII
28	BTB145	Bolt - Disc Brake to Hub	8	
29	88G276	Nut - Wheel	8	} Disc wheels
30	ATB4180	Hub - Front - Drum Brake Type - RH	1	
30	ATB4181	Hub - Front - Drum Brake Type - LH	1	} Wire wheel 1500
31	ATB4124	Stud - Brake Drum	12	
32	BTB142	Hub - Front - Disc Brake Type - RH	1	} Wire wheel 1600, 1600 MkII
32	BTB143	Hub - Front - Disc Brake Type - LH	1	
33	BTB104	Stud - Disc Brake to Hub	8	} Wire wheel 1600 up to chassis no 70275
34	BTB145	Bolt - Disc Brake to Hub	8	
35	FNZ506	Nut - Disc Brake to Hub	8	} Wire wheel 1600 from chassis no 70276, 1600 MkII
36	GHF333	Washer - Spring	8	
37	BH606111	Bolt - Adaptor Plate to Stub Axle	8	} 1600, 1600 MkII
38	FNZ506	Nut	8	
39	GHF333	Washer - Spring	8	
40	ATB4069	Washer - Hub Retaining	2	
41	1A4742	Washer - Hub Retaining	2	} Alternative with keyway locator
42	NL612041	Nut - RH - RH Thread	1	
42	FNZ2412	Nut - LH - LH Thread	1	} Disc wheels
43	GHF505	Split Pin	2	
44	ATB4098	Cap - Grease Retaining	2	} Wire wheels
45	ATB4131	Retainer - Grease	2	

Telephone: 01954 230928 Fax: 01954 231923, Buy online: www.mgocspares.co.uk



MGA
1500, 1600
& 1600 MkII



© 2007 MGOC Spares Ltd

Telephone: 01954 230928 Fax: 01954 231923, Email: sales@mgocspares.co.uk



MGA

1500, 1600

& 1600 MkII



1	AHH5106	Bump Rubber	2	
2	SH605051	Screw	4	
3	GHF332	Washer - Spring	4	
4	AHH5018K	Shackle Kit	2	
5	AHH5018	Shackle	2	
6	2A5176	Shackle Bush	8	
7	AHH5019	Shackle Plate	2	
8	GHF333	Washer - Spring	4	
9	GHF202	Nut	4	
10	AHH5461	Rear Spring - With Interleaving	2	
11	AHH5015	Bush - Silentbloc	2	
12	AHH5042	Bolt - Spring Assembly	2	
13	AHH6452	U Bolt	4	
14	AHH5082	Buffer Plate	2	
15	ACG5001	Spring Plate	4	
16	ACG5002	Spring Pad	4	
17	AHH5067	Bracket - Shock Absorber - RH	1	
17	AHH5068	Bracket - Shock Absorber - LH	1	
18	GHF223	Nut - Nyloc	8	
19	BH607241	Bolt	2	
20	GHF334	Washer - Spring	2	
21	GHF203	Nut	2	
22	AHH5081	Rebound Strap	2	
23	GHF202	Nut	4	
24	GHF333	Washer - Spring	4	
25	PWZ206	Washer - Plain	4	
26	SFK1	Spring Fitting Kit	2	Standard
26	SFK1Y	Spring Fitting Kit	2	Road
26	SFK1R	Spring Fitting Kit	2	Race
27	AHH5029	Shock Absorber - RH - New	1	
27	AHH5030	Shock Absorber - LH - New	1	
27	AHH5029E	Shock Absorber - RH - Recon Exchange	1	
27	AHH5030E	Shock Absorber - LH - Recon Exchange	1	
28	BH607281	Bolt	4	
29	GHF303	Washer - Plain	8	
30	GHF334	Washer - Spring	4	
31	GHF203	Nut	4	
32	97H2031	Link Arm	2	
33	GHF203	Nut	2	
34	GHF334	Washer - Spring	2	
35	GHF204	Nut	2	
36	GHF335	Washer - Spring	2	
37	H001	Conversion Kit - Koni Shock Absorbers	1	

Koni Classic shock absorbers are oil-filled for silent operation and dampen shocks both on the up and down strokes. They are fully adjustable and have a worldwide reputation for superior quality. The first handling modification you should carry out, the kit includes a pair of Koni telescopic shock absorbers, plus fixings and unique mounting brackets for maximum clearance.

38 H052 Conversion Kit - Gaz Shock Absorbers . . . 1
Includes a pair of zinc plated and freon gas-filled Gaz telescopic shock absorbers with very positive external adjustment through 32 settings, plus brackets and fixings.

39 H022 Conversion Kit - Spax Shock Absorbers . . . 1
Spax telescopic shock absorbers are gas-filled and feature a 14 point, instantly adjustable mechanism varying from soft to hard ride within seconds. The kit includes a pair of Spax telescopic shock absorbers, plus brackets and fixings.

Telephone: 01954 230928 Fax: 01954 231923, Buy online: www.mgocspares.co.uk



MGA
1500, 1600
& 1600 MkII

STEERING:

STEERING WHEELS

COLUMNS

RACK



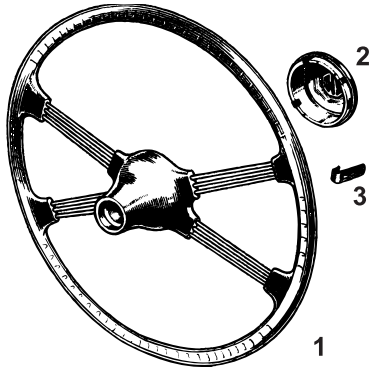
BRITISH
MOTOR
HERITAGE
APPROVED



MGOC Spares & Accessories, Octagon House, Swavesey, Cambridge CB24 4QZ
Tel: 01954 230928 and 01954 231318 Email: sales@mgocspares.co.uk



MGA
1500, 1600
& 1600 MkII



© 2007 MGOC Spares Ltd

Telephone: 01954 230928 Fax: 01954 231923, Email: sales@mgocspares.co.uk



MGA
1500, 1600
& 1600 MkII



1	AHH6003	Steering Wheel	1	Original Style
2	AHH6004	Centre Cover - With Badge	1	Original Style
3	AHH6035	Clip - Centre Cover	4	
4	S180	Steering Wheel - Wood - 16 1/2"	1	

Original factory optional MGA accessory, supplied complete with boss and centre cap, ready to fit. Beautifully hand crafted in wood and alloy.

5	S131	Steering Wheel - Wood	1	
---	------	---------------------------------	---	--

Reproduction of the 1960s competition wheel with machine-turned patterning on the spokes.

6	S100	Steering Wheel - Moto Lita - 13" - Wood . . .	1	Flat spokes
6	S101	Steering Wheel - Moto Lita - 14" - Wood . . .	1	Flat spokes
6	S102	Steering Wheel - Moto Lita - 14" - Wood . . .	1	Dished spokes
6	S103	Steering Wheel - Moto Lita - 15" - Wood . . .	1	Flat spokes
6	S104	Steering Wheel - Moto Lita - 15" - Wood . . .	1	Dished spokes
7	S110	Steering Wheel - Moto Lita - Walnut Rim . . .	1	

Handmade wheel with walnut rim to complement interior walnut fascias and fittings. Available with new aluminium boss billet, standard boss or classic horn push.

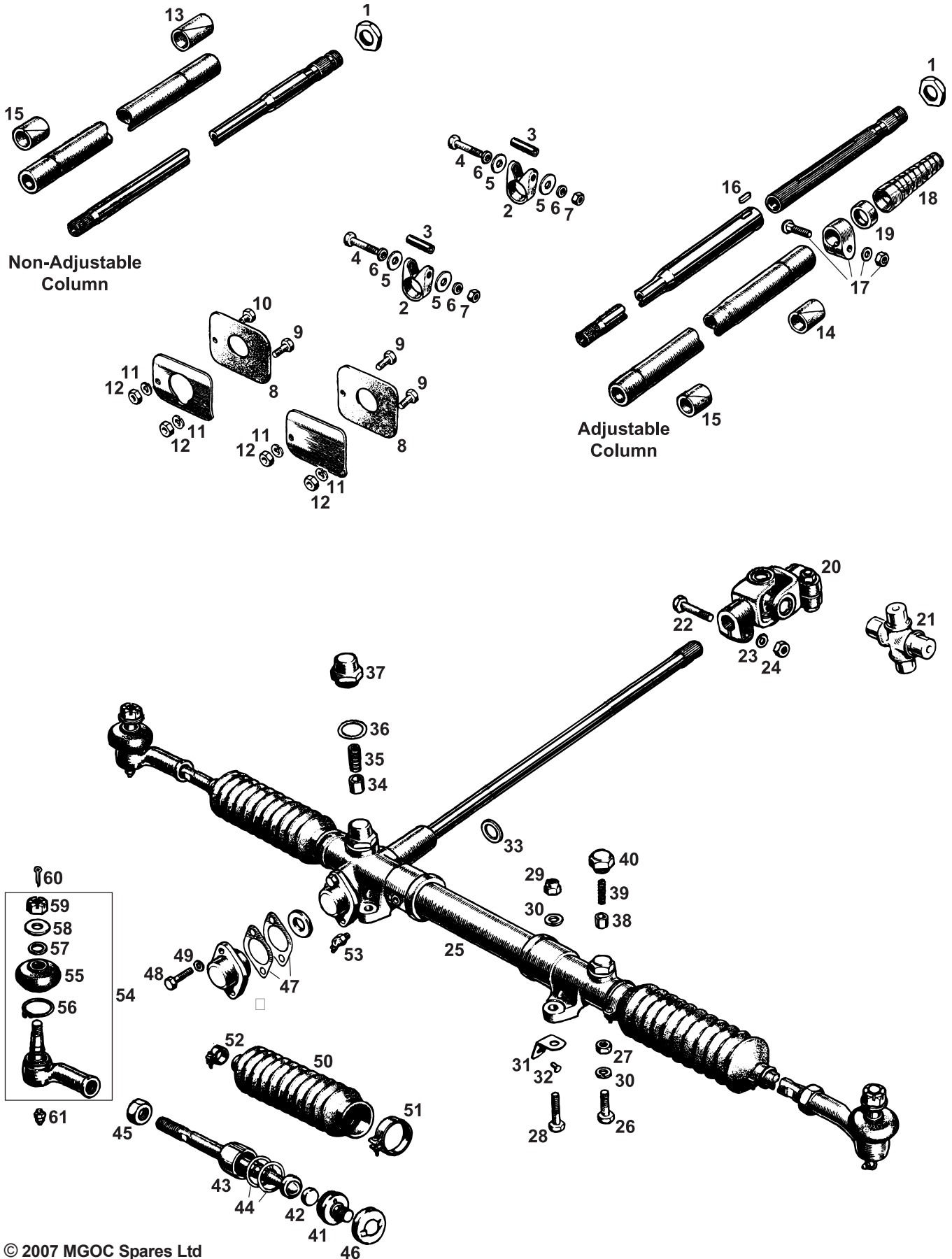
8	S120	Steering Wheel - Moto Lita - 13" - Leather . . .	1	Flat spokes
8	S121	Steering Wheel - Moto Lita - 14" - Leather . . .	1	Flat spokes
8	S122	Steering Wheel - Moto Lita - 14" - Leather . . .	1	Dished spokes
8	S123	Steering Wheel - Moto Lita - 15" - Leather . . .	1	Flat spokes
9	S207	Steering Wheel - Club - 13.5" - Wood	1	Semi-dished spokes
10	S200	Steering Wheel - Club - 13" - Leather	1	Black spokes
10	S201	Steering Wheel - Club - 14" - Leather	1	Black spokes
11	S204	Steering Wheel - Club - 13" - Leather	1	Polished spokes
11	S205	Steering Wheel - Club - 14" - Leather	1	Polished spokes
12	S301	Steering Wheel - Momo Prototipo - 350mm . . .	1	
13	S166	Boss Kit - Moto Lita - Without Screws	1	Moto Lita wheels include screws
14	S213	Boss Kit - Club - With Screws	1	Club wheels do not include screws
	S222	Screw Pack - Club Boss	1	
15	S293	Boss Kit - Momo - With Screws	1	Momo wheels do not include screws
16	S153	Wheel Centre - Aluminium - No Horn Push . . .	1	Leaves wheel screws exposed
17	S151	Wheel Centre - Aluminium - Horn Push	1	Leaves wheel screws exposed. Horn push inoperative on MGA
18	S150	Wheel Centre - Aluminium - Horn Push	1	Covers wheel screws. Horn push inoperative on MGA
19	S145	Wheel Centre - Classic Style - Horn Push	1	

As fitted to early MGB/MGC, the attractive Classic Style centre incorporates the Club's own fitting modification and can be fitted to Moto Lita or competition wheels.

Telephone: 01954 230928 Fax: 01954 231923, Buy online: www.mgocspares.co.uk



MGA
1500, 1600
& 1600 MkII



© 2007 MGOC Spares Ltd

Telephone: 01954 230928 Fax: 01954 231923, Email: sales@mgocspares.co.uk



MGA

1500, 1600

& 1600 MkII



1	ACH6001	Nut - Steering Wheel Retaining	1
2	AHH6005	Clamp - Column to Bulkhead	2
3	AHH6006	Tube - Distance	2
4	BH605181	Bolt	2
5	PWZ205	Washer - Plain	4
6	GHF332	Washer - Spring	4
7	GHF201	Nut	2
8	AHH6009	Seal - Bulkhead	2
9	SH605051	Screw - Seal Retainer and Blanking Plate	3
10	GHF120	Screw - Seal Retainer	1
11	GHF332	Washer - Spring	4
12	GHF201	Nut	4
13	7H6255	Bush - Upper - Felt	1
14	AHH6032	Bush - Upper - Felt	1
15	AHH6027	Bush - Lower - Felt	1
16	AAA193	Key	1
17	AAA192	Clamp Kit - Chrome	1
18	AAA1651	Cover - Spring - Chrome	1
19	AAA1650	Cap - Spring Cover	1
20	AHH6000	Universal Joint Assembly	1
21	GUJ200	Universal Joint	1
22	17H3839	Bolt - Pinch	2
23	GHF332	Washer - Spring	2
24	GHF201	Nut	2
25	AHH6001E	Steering Rack Ass'y - Recon Exchange	1
25	AHH6002E	Steering Rack Ass'y - Recon Exchange	1
N.B. All steering racks are sold on a 'price on application' basis.			
26	GHF103	Screw - Rack Mounting - Rear	2
27	FNZ505	Nut	2
28	SH605091	Screw - Rack Mounting - Front	2
29	GHF222	Nut - Nyloc	2
30	GHF332	Washer - Spring	4
31	AHH6007	Shim - Packing	A/R
32	GHF600	Pop Rivet	A/R
33	AAA1335	Seal - Pinion	1
34	ACA5244	Pad - Rack Damper	1
35	ACA5248	Spring - Pad	1
36	ACA5249	Shim - 0.003"	A/R
37	ACA5245	Cap - Rack Damper	1
38	ACA5284	Pad - Secondary Damper	1
39	ACA5286	Spring - Pad	1
40	ACA5285	Cap - Secondary Damper	1
41	ACA6031	Ball Housing - Track Rod - Male	2
42	ACA5246	Seat - Track Rod Ball	2
43	ACA5304	Ball Housing - Track Rod - Female	2
44	ACA5301	Shim - 0.003"	A/R
44	ACA5302	Shim - 0.005"	A/R
44	ACA5303	Shim - 0.010"	A/R
45	NT610041	Nut - Track Rod Locking	2
46	ACA5247	Washer - Locking	2
47	AAA1333	Shim - 0.005"	A/R
47	AAA1334	Shim - 0.007"	A/R
48	GHF120	Screw	2
49	GHF332	Washer - Spring	2
50	AAA1682	Gaiter - Track Rod	2
51	BMK924A	Clamp - Gaiter - Large	2
52	3H2963	Clamp - Gaiter - Small	2
53	UHN205	Grease Nipple - Rack Tube	2
54	GSJ169	Track Rod End	2
55	7H3762	Boot - Track Rod End	2
56	7H3565	Clip - Boot	2
57	7H3763	Ring	2
58	GHF303	Washer - Plain	2
59	NL607041	Nut - Slotted	2
60	GHF504	Split Pin	2
61	UHN405	Grease Nipple - Track Rod End	2

Also used under blanking plate on passenger's side

Non-adjustable steering column
Adjustable steering column

Adjustable steering column

Right Hand Drive
Left Hand Drive

Telephone: 01954 230928 Fax: 01954 231923, Buy online: www.mgocspares.co.uk



MGA
1500, 1600
& 1600 MkII

BRAKES:

FRONT DRUMS/SHOES

FRONT DISCS/PADS

REAR DRUMS/SHOES

BRAKE TOOLS

HANDBRAKE/CABLE

HYDRAULICS (incl. CLUTCH)

PIPES/HOSES (incl. CLUTCH)



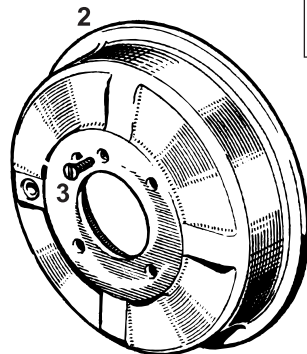
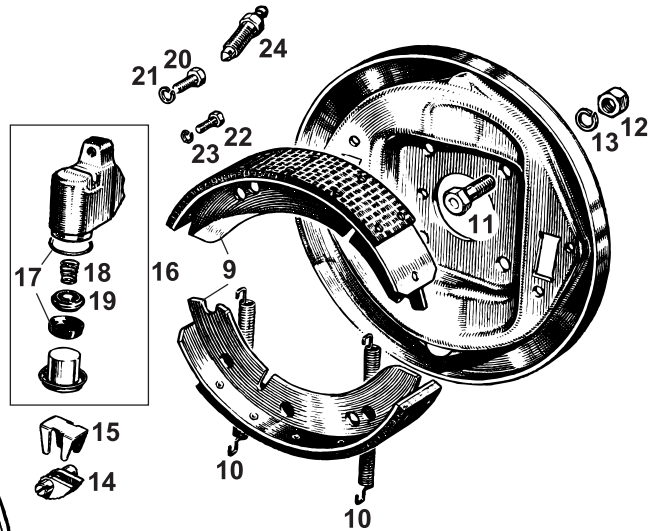
MGOC Spares & Accessories, Octagon House, Swavesey, Cambridge CB24 4QZ
Tel: 01954 230928 and 01954 231318 Email: sales@mgojspares.co.uk



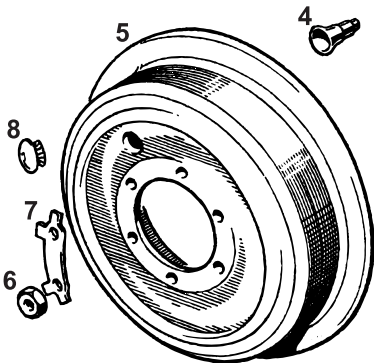
MGA
1500, 1600
& 1600 MkII



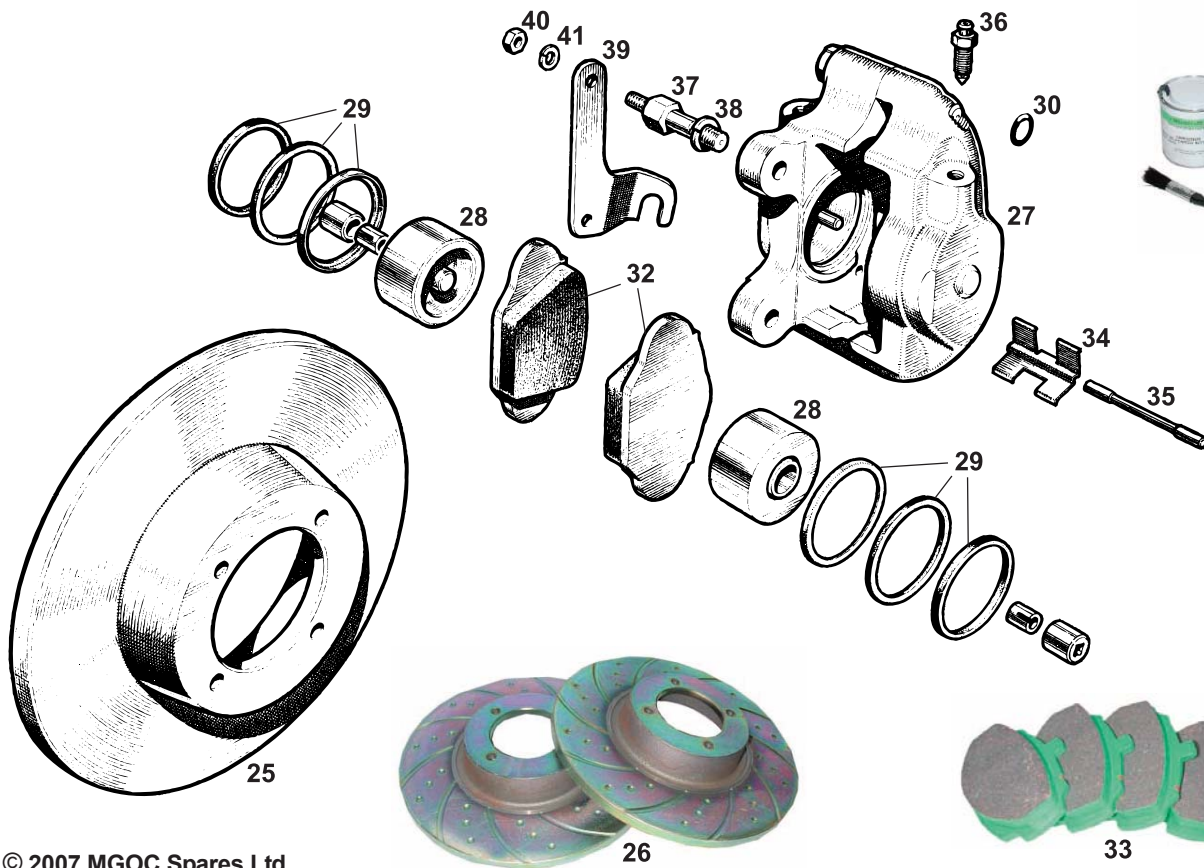
1



Disc Wheels



Wire Wheels





MGA
1500, 1600
& 1600 MkII



1 H513 Disc Brake Conversion Kit 1 1500.
Complete kit to convert drum brake MGA to front disc brakes. Includes shock absorbers, wishbone arms, stub axles, callipers, hubs, bearings, seals, track rods etc.

2	ATB7075	Brake Drum - Front	2	} 1500 disc wheels
3	CMZ407	Screw - Drum Retaining	4	
4	ACH5703	Plug - Drum - 3/4"	A/R	} 1500 disc wheels
4	ACH5704	Plug - Drum - 1/2"	A/R	
5	ATB4165	Brake Drum - Front	2	} 1500 wire wheels
6	NT606041	Nut - Drum Retaining	12	
7	ATB4125	Lock Tab	6	} 1500 wire wheels
8	AHH5514	Plug - Drum - 1/2"	A/R	
8	ACH9373	Plug - Drum - 3/4"	A/R	} 1500
9	18G8526K	Brake Shoe Set - New - Axle Set	1	
10	7H7936	Spring - Return	4	} 1500
11	ATC4067	Bolt - Back Plate Securing	8	
12	GHF202	Nut	8	} 1500
13	GHF333	Washer - Spring	8	
14	7H7931	Adjuster - Brake Shoe	4	} 1500
15	7H7930	Mask - Adjuster	4	
16	GWC110	Wheel Cylinder - Front - RH	2	} 1500
16	GWC111	Wheel Cylinder - Front - LH	2	
17	8G8245	Repair Kit - Wheel Cylinder	4	} 1500
18	7H7939	Spring - Wheel Cylinder	4	
19	7H7938	Expander - Wheel Cylinder	4	} 1500
20	GHF120	Bolt - Cylinder Securing - Large	4	
21	GHF332	Washer - Spring	4	} 1500
22	7H7520	Bolt - Cylinder Securing - Small	4	
23	GHF331	Washer - Spring	4	} 1500
24	3H2428	Bleed Nipple	4	
25	BTB108	Brake Disc - Standard	2	} 1600, 1600 MkII
26	H399	Brake Discs - EBC Slotted	1	

Slotted and dimpled discs improve braking efficiency by trapping and removing the gas film given off by pad materials under heavy braking which would otherwise lessen brake friction. These discs are especially good when used with Kevlar pads.

27	17H7734E	Calliper - RH - Reconditioned Exchange	1	} 1600, 1600 MkII
27	17H7735E	Calliper - LH - Reconditioned Exchange	1	
28	17H7730	Piston - Calliper	4	} 1600, 1600 MkII
28	17H7730SS	Piston - Calliper - Stainless Steel Alternative	4	
29	GRK5007	Repair Kit - Calliper	2	} 1600, 1600 MkII
30	17H7679	O Ring - Fluid Channel	2	
31	A350	Calliper Paint Kit - Red	1	} 1600, 1600 MkII
31	A350A	Calliper Paint Kit - Black	1	
31	A350S	Calliper Paint Kit - Silver	1	

Calliper paint kits include heat resistant two pack paint and pre-cleaner. Sufficient for 4 callipers.

32	8G8379	Brake Pad Set - Axle Set	1	} 1600, 1600 MkII
33	H369	Brake Pad Set - EBC Kevlar	1	

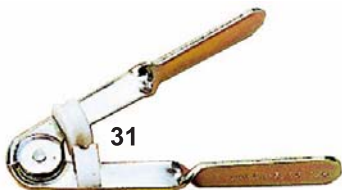
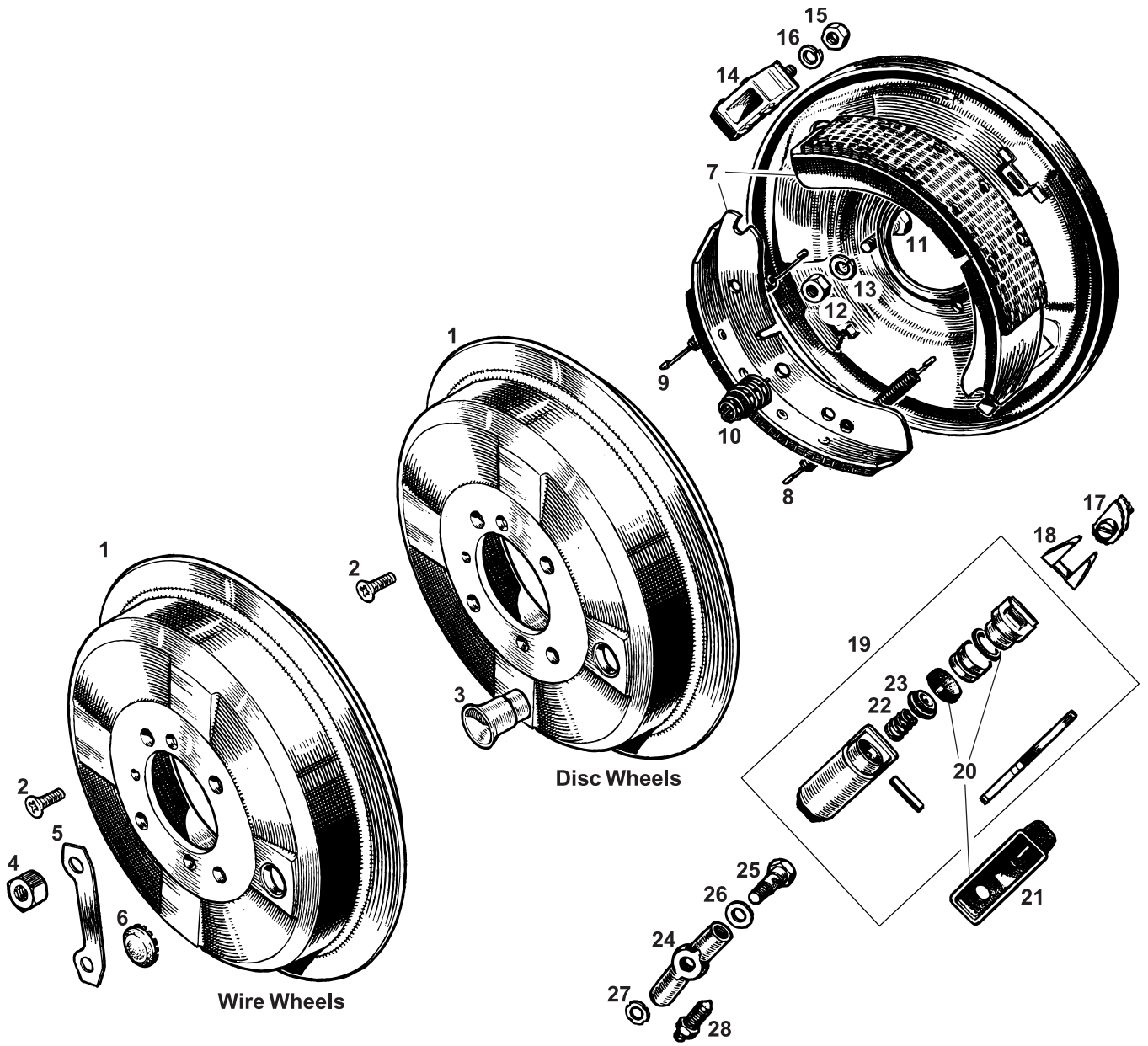
The fabled EBC 'Green Stuff' Kevlar pads, which increase friction and brake efficiency with minimal dust. Designed for conditions varying from every day road driving to occasional track day use, they are effective from cold without the need for a warm up period and provide reassuring, progressive braking.

34	17H7733	Spring - Pad Retaining	2	} 1600, 1600 MkII
35	17H7732	Pin - Pad Retaining	2	
36	3H2428	Bleed Nipple	2	} 1600, 1600 MkII
37	BTB128	Bolt - Calliper Mounting	4	
38	WL600071	Washer - Spring	4	} 1600, 1600 MkII
39	BTB126	Lock Plate - RH	1	
39	BTB127	Lock Plate - LH	1	} 1600, 1600 MkII
40	GHF201	Nut	4	
41	GHF332	Washer - Spring	4	} 1600, 1600 MkII

Telephone: 01954 230928 Fax: 01954 231923, Buy online: www.mgocspares.co.uk



MGA
1500, 1600
& 1600 MkII



© 2007 MGOC Spares Ltd

Telephone: 01954 230928 Fax: 01954 231923, Email: sales@mgocspares.co.uk



MGA
1500, 1600
& 1600 MkII

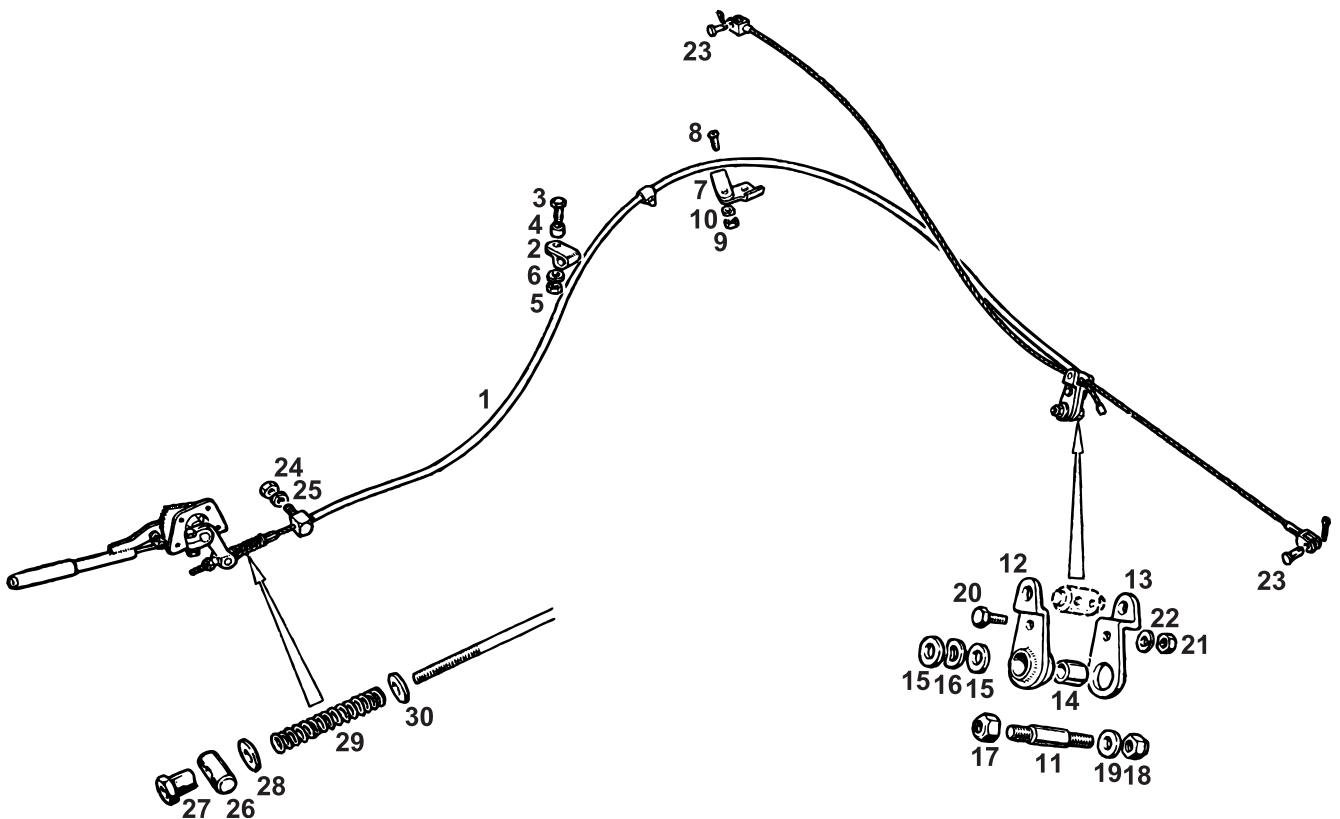
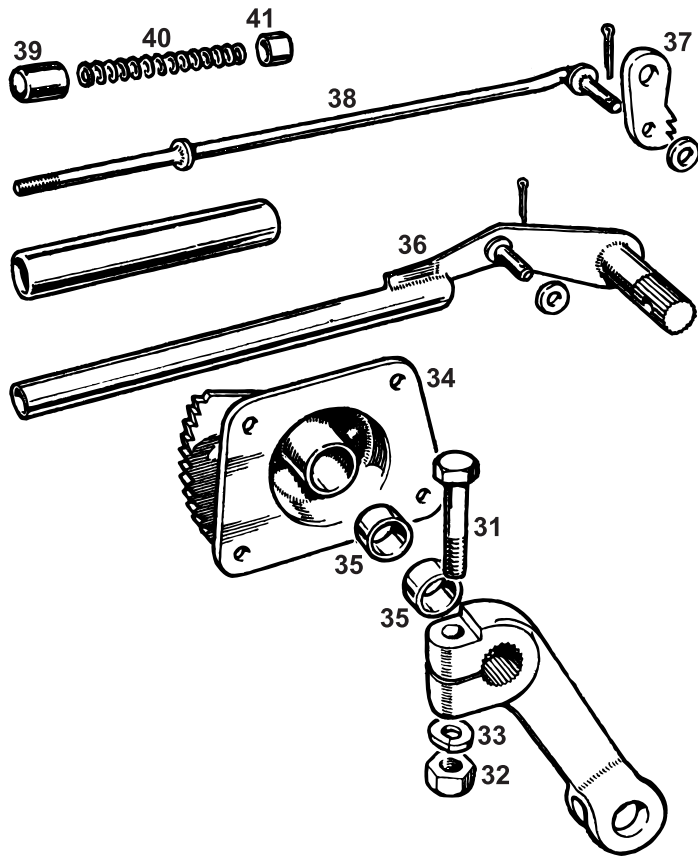


1	ATB7075	Brake Drum - Rear	2		
2	SF604051	Screw - Drum Retaining	4		
3	ACH5703	Plug - Drum - 3/4"	A/R	} Disc wheels	
4	ACH5704	Plug - Drum - 1/2"	A/R		
7	FNZ507	Nut - Drum Retaining	8	} Wire wheels	
5	ATB7209	Lock Tab	4		
6	AHH5514	Plug - Drum - 1/2"	A/R		
6	ACH9373	Plug - Drum - 3/4"	A/R		
7	18G8526K	Brake Shoe Set - New - Axle Set	1		
8	7H7936	Spring - Return	2		
9	17H7499	Spring - Tension	2		
10	AAA4714	Spring - Anti-Rattle	4		
11	51K1380	Bolt - Back Plate Securing	8		
12	GHF202	Nut	8		
13	GHF333	Washer - Spring	8		
14	7H7932	Abutment - Brake Shoes	2		
15	AJD8105Z	Nut - Drum Retaining	4		
16	GHF332	Washer - Spring	4		
17	7H7931	Adjuster - Brake Shoe	2		
18	7H7930	Mask - Adjuster	2		
19	GWC1111	Wheel Cylinder - Rear	2		Includes handbrake lever
20	8G8243	Repair Kit - Wheel Cylinder	2		
21	7H7943	Boot - Handbrake Lever	2		Included in repair kit; not included with wheel cylinder.
22	7H7939	Spring - Wheel Cylinder	2		
23	7H7940	Expander - Wheel Cylinder	2		
24	59258	Banjo Connector - Wheel Cylinder	2		1500 up to chassis no 27989; BSF thread
24	AHH5634	Banjo Connector - Wheel Cylinder	2		1500 from chassis no 27990 onwards, 1600, 1600 MkII; UNF thread
25	7H7847	Bolt - Banjo	2		
26	3H550	Washer, Copper, Large	2		
27	233220A	Washer, Copper, Small	2		
28	3H2428	Bleed Nipple	2		
29	F199	Brake Hose Clamp	1		
Allows safe clamping of flexible brake hoses for routine maintenance of brake components.					
30	T4	Girling Shoe Horn	1		
This brake shoe lever tool makes easy work of brake shoe replacement					
31	F197	Pipe Bending Tool - Small	1		
31	F198	Pipe Bending Tool - Large	1		
Pipe bending tools make for perfect shaping of copper brake pipes					
32	T2	Girling Retraction Tool	1		
Designed to replace brake pads without damaging calliper pistons					
33	G649	Castrol Brake Cleaner - 400ml Aerosol	1		

Telephone: 01954 230928 Fax: 01954 231923, Buy online: www.mgocspares.co.uk



MGA
1500, 1600
& 1600 MkII



© 2007 MGOC Spares Ltd

Telephone: 01954 230928 Fax: 01954 231923, Email: sales@mgocspares.co.uk



MGA
1500, 1600
& 1600 MkII

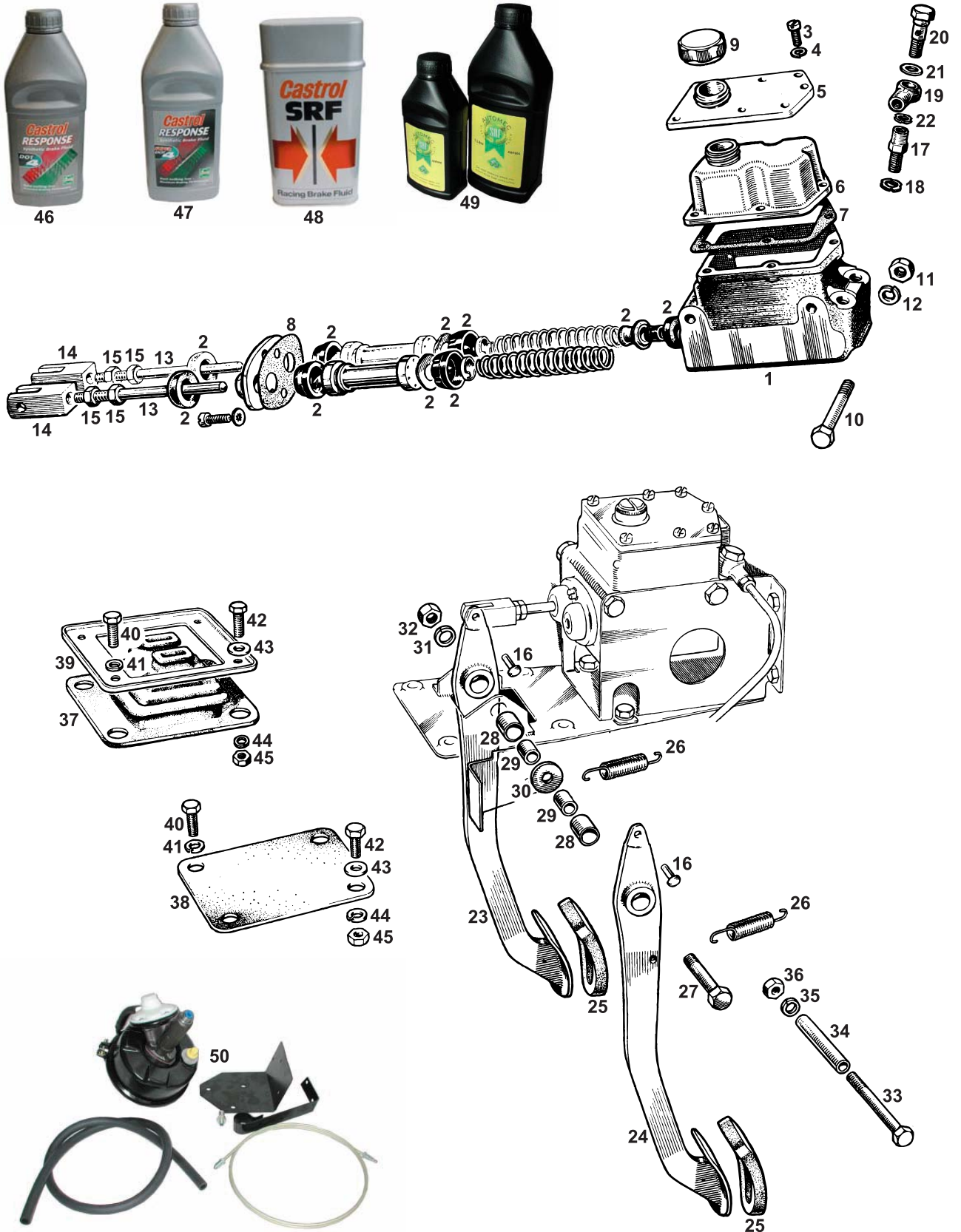


1	AHH5227	Cable Assembly	1	Disc wheels
1	AHH5228	Cable Assembly	1	Wire wheels
2	PCR507	Clip - Cable to Battery Box	1	
3	PMZ316	Screw	1	
4	AHH5297	Tube - Distance	1	
5	GHF206	Nut	1	
6	WL700101	Washer - Spring	1	
7	AHH5295	Clip - Cable to Axle Bracket	1	
8	PMZ306	Screw	1	
9	GHF206	Nut	1	
10	WL700101	Washer - Spring	1	
11	AHH5025	Fulcrum Pin - Compensator	1	
12	AHH5203	Lever - Compensating - Inner	1	
13	ACH5101	Lever - Compensating - Outer	1	
14	AHH5225	Bush	1	
15	GHF303	Washer - Plain	2	
16	AWZ107	Washer - Waved	1	
17	GHF223	Nut - Nyloc - Pin to Chassis	1	
18	GHF222	Nut - Nyloc - Compensator to Pin	1	
19	PWZ205	Washer - Plain	1	
20	SH604051	Screw - Compensator Assembly	1	
21	GHF200	Nut	1	
22	GHF331	Washer - Spring	1	
23	ACB8715	Clevis Pin	2	
24	GHF201	Nut - Cable Abutment	1	
25	GHF332	Washer - Spring	1	
26	AHH5322	Trunnion	1	
27	ACH5104	Nut - Trunnion	1	
28	PWZ204	Washer - Plain	1	
29	ACH8508	Spring	1	
30	GHF300	Washer - Plain	1	
31	BH605101	Bolt - Pinch	1	
32	GHF201	Nut	1	
33	GHF332	Washer - Spring	1	
34	AHH5232	Ratchet Assembly	1	
35	AHH5242	Bush - Handle Shaft	2	Included in ratchet assembly
36	AHH5229	Handle and Shaft	1	
37	AHH5238	Pawl	1	
38	AHH5233	Rod Assembly	1	
39	ACC8956	Knob - Handle	1	
40	ACH8508	Spring - Knob	1	
41	AAA563	Bush - Spring	1	

Telephone: 01954 230928 Fax: 01954 231923, Buy online: www.mgocspares.co.uk



MGA
1500, 1600
& 1600 MkII



© 2007 MGOC Spares Ltd

Telephone: 01954 230928 Fax: 01954 231923, Email: sales@mgocspares.co.uk



MGA

1500, 1600 & 1600 MkII



- | | | | | |
|---|---------|--------------------------------|---|---|
| 1 | GMC109 | Master Cylinder - Tandem - New | 1 | 1500. Includes flat top cover, as original |
| | GMC109B | Master Cylinder - Tandem - New | 1 | 1600, 1600 MkII. Does not include top cover |

While the MGA master cylinder is still in manufacture, the original raised top cover for disc braked models is not. The master cylinder is supplied in two conditions: with the flat cover, correct for drum braked 1500s, or without cover (but with cover gasket and screws) so that owners can reuse their old covers.

- | | | | | |
|----|-----------|---------------------------------------|-----|---------------------------|
| 2 | 8G8224 | Repair Kit - Master Cylinder | 1 | |
| 3 | AAA4758 | Screw - Top Cover | 7 | |
| 4 | GHF321 | Washer - Shakeproof | 7 | |
| 5 | AJH5085 | Top Cover - Flat | 1 | 1500 |
| 6 | 17H7702 | Top Cover - Raised | 1 | 1600, 1600 MkII |
| 7 | 37H2496 | Gasket - Top Cover | 1 | |
| 8 | AAA4757 | Gasket - Front Cover | 1 | |
| 9 | 513123 | Filler Cap - Plastic | 1 | Lockheed replacement type |
| 10 | GHF126 | Bolt - Master Cylinder Mounting | 2 | |
| 11 | GHF202 | Nut | 2 | |
| 12 | GHF333 | Washer - Spring | 2 | |
| 13 | BCA4046 | Push Rod | 2 | Does not include fork end |
| 14 | 2A5576 | Fork End | 2 | |
| 15 | 51K1178 | Nut | 4 | |
| 16 | CLZ512 | Clevis Pin - Fork to Pedal | 2 | |
| 17 | 21K8564 | Adaptor - Clutch Pipe | 1 | |
| 18 | 233220 | Washer - Copper - Adaptor to Cylinder | 1 | |
| 19 | 3H544 | Banjo Union | 1 | |
| 20 | 11K8276 | Bolt - Banjo | 1 | |
| 21 | 7H7456 | Washer - Copper - Upper | 1 | |
| 22 | 3H550 | Washer - Copper - Lower | 1 | |
| 23 | AHH5946 | Brake Pedal | 1 | } Late 1500 onwards style |
| 24 | AHH5841 | Clutch Pedal | 1 | |
| 25 | AHH5100 | Pad - Pedal - Rubber | 2 | |
| 26 | AAA1628 | Spring - Pedal Return | 2 | |
| 27 | BH606221 | Bolt - Pedal Pivot | 1 | |
| 28 | AAA4129 | Bush - Pedal | 2 | |
| 29 | AHH7201 | Tube - Distance | 2 | |
| 30 | AAA4133 | Washer - Plain | 1 | |
| 31 | GHF333 | Washer - Spring | 1 | |
| 32 | GHF202 | Nut | 1 | |
| 33 | BH604361 | Bolt - Pedal Stop | 1 | |
| 34 | AHH5092 | Pedal Stop | 1 | |
| 35 | GHF331 | Washer - Spring | 1 | |
| 36 | GHF200 | Nut | 1 | |
| 37 | AHH5101 | Seal - Excluder - Pedals | 1 | |
| 38 | AHH5103 | Seal - Blanking - Passenger's Side | 1 | |
| 39 | AHH5102 | Retaining Plate - Seal | 2 | |
| 40 | GHF103 | Screw - Long | 4 | |
| 41 | GHF332 | Washer - Spring | 4 | |
| 42 | GHF120 | Screw - Short | 4 | |
| 43 | PWZ205 | Washer - Plain | 4 | |
| 44 | GHF332 | Washer - Spring | 4 | |
| 45 | GHF201 | Nut | 4 | |
| 46 | 1774 | Castrol - Response - Dot 4 - 1 Litre | A/R | |
| 46 | 1774/6610 | Castrol - Response - Dot 4 - 500ml | A/R | |

Synthetic brake and clutch fluid for use where DOT3 or DOT4 is specified. For all MG models in normal road use.

- | | | | |
|----|------|--|--|
| 47 | 1775 | Castrol - Response - Super Dot 4 - 1 Litre/A/R | |
|----|------|--|--|
- High boiling point synthetic fluid for competition use where DOT5 is required

- | | | | |
|----|------|-------------------------|-----|
| 48 | 1767 | Castrol - SRF - 1 Litre | A/R |
|----|------|-------------------------|-----|
- High performance motor sport application DOT4 synthetic brake fluid

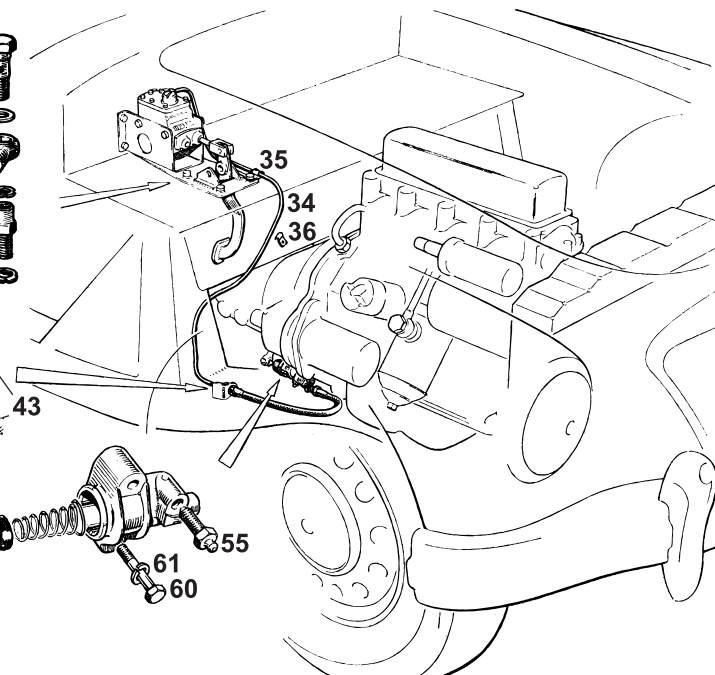
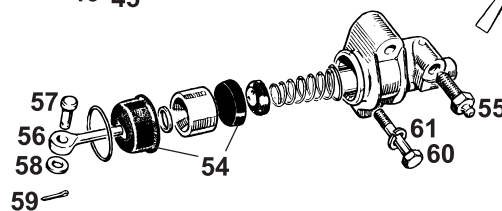
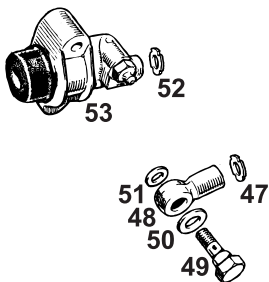
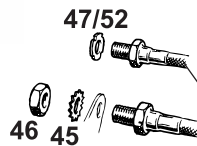
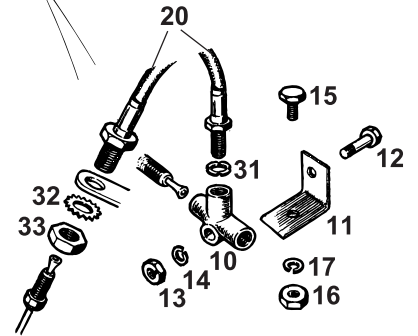
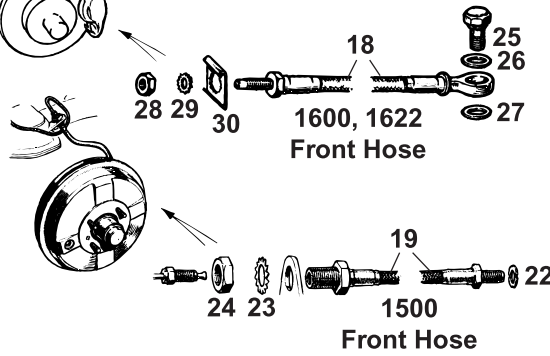
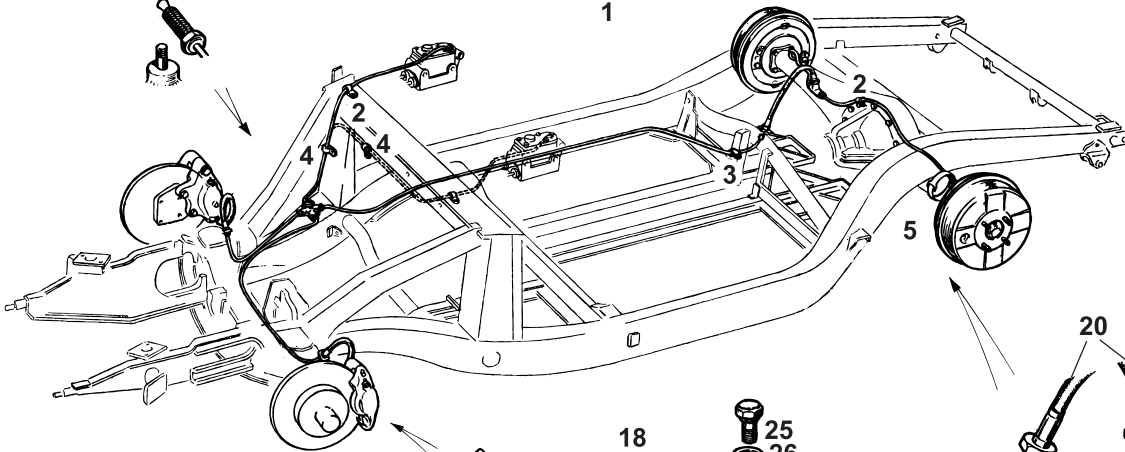
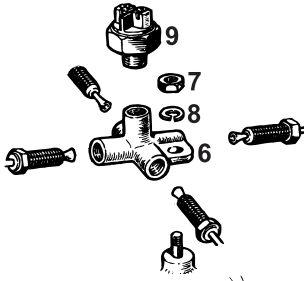
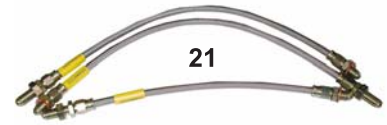
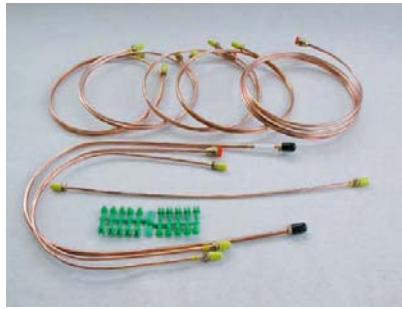
- | | | | |
|----|------|--------------------------------|-----|
| 49 | F195 | Silicone Brake Fluid - 1 Litre | A/R |
| 49 | F196 | Silicone Brake Fluid - 500ml | A/R |
- DOT5 specification, non-corrosive and will not absorb water. Unlike glycol, does not require frequent changing.

- | | | | |
|----|------|---------------------|---|
| 50 | H278 | Universal Servo Kit | 1 |
|----|------|---------------------|---|
- Complete brake servo kit to update non-assisted brakes to give a reassuring feel and easier brake applications. Includes brackets, brake pipe and servo hose.

Telephone: 01954 230928 Fax: 01954 231923, Buy online: [\[www.mgocspares.co.uk\]](http://www.mgocspares.co.uk)



MGA
1500, 1600
& 1600 MkII



© 2007 MGOC Spares Ltd

Telephone: 01954 230928 Fax: 01954 231923, Email: sales@mgocspares.co.uk



MGA
1500, 1600
& 1600 MkII



1	F171	Brake and Clutch Pipe Kit - Copper	1500 right hand drive (drum brakes)
1	F171L	Brake and Clutch Pipe Kit - Copper	1500 left hand drive (drum brakes)
1	F172	Brake and Clutch Pipe Kit - Copper	1600, 1600 MkII right hand drive (disc brakes)
1	F172L	Brake and Clutch Pipe Kit - Copper	1600, 1600 MkII left hand drive (disc brakes)

Sets of malleable copper pipes, easy to shape for professional appearance and non-corroding. Brass unions are ready fitted and each pipe is labelled for easy installation.

2	PCR311	Clip - Brake Pipe to Bulkhead Top and Axle 2	
3	PCR307	Clip - Brake Pipe to Battery Box	
4	PCR309	Clip - Brake Pipe to Bulkhead Front	1/2 Qty increases for left hand drive
5	ACH8650	Strap - Brake Pipe to Axle	
6	17H7108	Adaptor - 4 Way and Switch	
7	GHF200	Nut - Adaptor to Chassis	
8	GHF331	Washer - Spring	
9	3H1894	Switch - Brake Lights	Original type with screw terminals
9	C16062	Switch - Brake Lights	Alternative type with Lucar spade terminals
10	AJA5028	Adaptor - 3 Way - BSF Thread	1500 up to chassis no 27989
10	3H2424	Adaptor - 3 Way - UNF Thread	1500 from chassis no 27990 onwards, 1600, 1600 MkII
11	AHH5627	Bracket - adaptor to axle	
12	GHF101	Bolt - Adaptor to Bracket	
13	GHF200	Nut	
14	GHF331	Washer - Spring	
15	SH605051	Screw - Bracket to Axle	
16	GHF201	Nut	
17	GHF332	Washer - Spring	
18	GBH104	Brake Hose - Front - Rubber	1500 (drum brakes)
19	BHA4139	Brake Hose - Front - Rubber	1600, 1600 MkII (disc brakes)
20	GBH104	Brake Hose - Rear - Rubber	
21	F125	Brake Hose Set - Stainless Braided	1500 (drum brakes)
21	F130	Brake Hose Set - Stainless Braided	1600, 1600 MkII (disc brakes)

Sets of stainless braided brake hoses with PTFE inner linings, for positive pedal and responsive braking.

22	233220	Washer - Copper	1500
23	WE600101	Washer - Shakeproof	
24	2K8686	Nut	1600, 1600 MkII
25	C5192	Bolt - Banjo	
26	3H550	Washer - Copper - Large	
27	233220	Washer - Copper - Small	
28	NT606041	Nut	
29	GHF323	Washer - Shakeproof	
30	1G9198	Lock Plate	
31	233220	Washer - Copper	
32	WE600101	Washer - Shakeproof	
33	2K8686	Nut	
34	AJD276	Pipe - Clutch	Right hand drive
34	ACB8754	Pipe - Clutch	Left hand drive
35	PCR411	Clip - Pipe to Bulkhead	
36	PCR409	Clip - Pipe to Bulkhead	Left hand drive
37	21K8564	Adaptor - Clutch Pipe	
38	233220	Washer - Copper - Adaptor to Cylinder	
39	3H544	Banjo Union	
40	11K8276	Bolt - Banjo	
41	7H7456	Washer - Copper - Upper	
42	3H550	Washer - Copper - Lower	
43	GVP1001	Hose - Clutch - Standard Rubber	
44	F140	Hose - Clutch - Stainless Braided	

Braided hose with PTFE inner lining, for positive clutch operation.

45	WE600101	Washer - Shakeproof	1500 up to chassis no 11767.
46	2K8686	Nut	
47	3H550	Washer - Copper - Hose to Banjo	
48	3H544	Banjo Union	
49	11K8276	Bolt - Banjo	
50	7H7456	Washer - Copper - Upper	
51	3H550	Washer - Copper - Lower	1500 from chassis no 11768, 1600, 1600 MkII.
52	3H550	Washer - Copper	
53	GSY106	Slave cylinder - Clutch	

The early 1500 slave cylinder which accepts a banjo connection to the clutch hose is not available. The later cylinder may be used on early 1500 models by deleting the banjo connection and connecting the hose directly, as on later models.

54	GRK4016	Repair Kit - Slave Cylinder
55	606733	Bleed Nipple
56	13H21	Push Rod
57	CLZ515	Clevis Pin
58	GHF301	Washer - Plain
59	GHF502	Split Pin
60	BH506161	Bolt - Slave Cylinder to Gearbox
61	GHF333	Washer - Spring



MGA
1500, 1600
& 1600 MkII

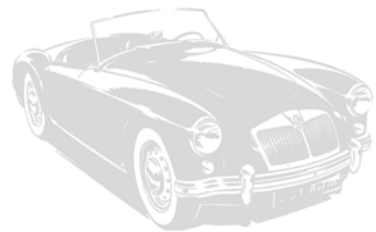
WHEELS:

WHEELS/TYRES

WHEEL NUTS/SPINNERS

JACK

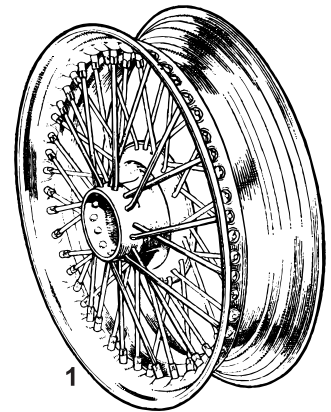
TOOL KIT



MGOC Spares & Accessories, Octagon House, Swavesey, Cambridge CB24 4QZ
Tel: 01954 230928 and 01954 231318 Email: sales@mgocspares.co.uk



MGA
1500, 1600
& 1600 MkII



High Performance Tyres



© 2007 MGOC Spares Ltd

Telephone: 01954 230928 Fax: 01954 231923, Email: sales@mgocspares.co.uk



MGA
1500, 1600
& 1600 MkII



1	W110	Wire Wheel - 4 x 15" - Painted A/R	} 48 spoke design. Standard factory size
1	W115	Wire Wheel - 4 x 15" - Chrome A/R	
2	W120	Wire Wheel - 4.5 x 15" - Painted A/R	} 60 spoke design. Optional size
2	W125	Wire Wheel - 4.5 x 15" - Chrome A/R	
3	W135	Wire Wheel - 5.5 x 15" - Chrome A/R	} 72 spoke tubeless design. Optional size
4	W137	Wire Wheel - 6 x 15" - Chrome A/R	

A new concept in wire wheel design, the tubeless wire wheels have a ring of silicon to keep the wheel/tyre combination airtight.

5	7H1805	Spoke - Painted - Long 80	48 spoke wheels
5	17H8619	Spoke - Painted - Long 100	60 spoke wheels
6	7H1806	Spoke - Painted - Short 160	48 spoke wheels
6	17H8620	Spoke - Painted - Short 200	60 spoke wheels
7	7H1709	Nipple - Spoke A/R	
8	W700 on	Tyre - Yokohama A/R	

The exciting range of world famous Yokohama tyres at excellent discounted prices, in sizes and speed ratings for all applications. Tyres may be supplied individually or ready fitted to wheel rims of your choice; in the latter instance they will be delivered to your home, balanced and ready to fit to your MG. Please contact our tyre department for sales and expert advice on correct sizing, compounds, speed ratings and suitability.

9	W530	Tyre Trim Set - Whitewall 1	
	W515	Tyre Trim Set - 0.5" Wide Whiteband 1	
10	W532	Tyre Lettering Pen 1	For tyre customising
11	A092	Tyre Inflator - 567g Aerosol 1	Inflator and puncture repair
12	A445	Wheel Cleaner A/R	

Effectively cleans alloy, laquered and steel wheels - safe for chrome wheels.

13	A430	Tyre Dressing A/R
----	------	---------------	-----------

Cleans and restores tyre walls to satin shine

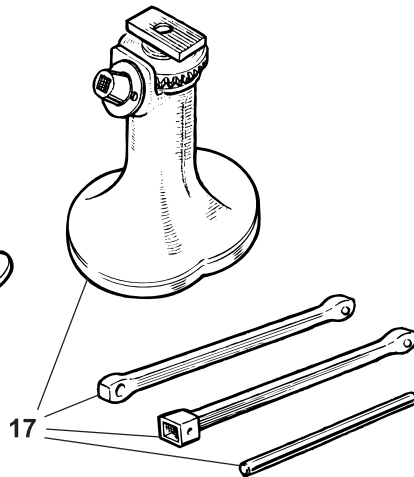
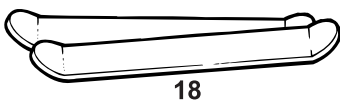
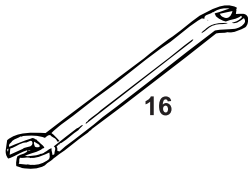
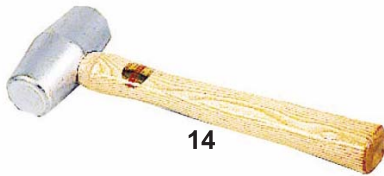
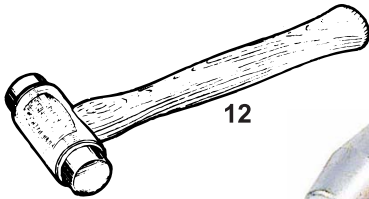
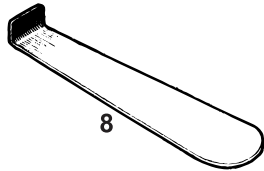
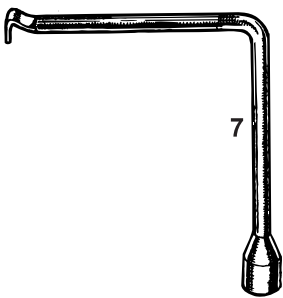
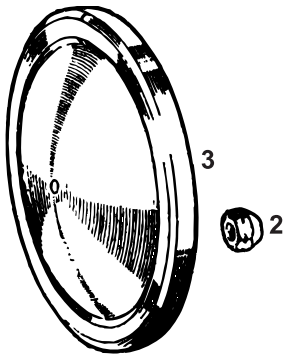
Maintaining Chromework:

The chromium plating on all club products is top quality and complies with BS1224, the industry standard for automotive products. To protect and preserve the chromium finish it is important that you apply Wonder Wax/Wonder Chrome - BEFORE FITTING - and reapply at regular intervals. Wiping surfaces with a soft cloth soaked in Castrol DWF will also give excellent protection against corrosion in winter.

Telephone: 01954 230928 Fax: 01954 231923, Buy Online: [\[www.mgocspares.co.uk\]](http://www.mgocspares.co.uk)



MGA
1500, 1600
& 1600 MkII



© 2007 MGOC Spares Ltd

Telephone: 01954 230928 Fax: 01954 231923, Email: sales@mgocspares.co.uk



MGA

1500, 1600 & 1600 MkII



1	W533	Valve Cap Set - Chrome	1	
2	88G276	Wheel Nut	16] Disc wheels
3	88G290	Hub Cap	4	
4	W182R	Spinner - 2 Ear - Plain - RH	A/R] Wire wheels
4	W182L	Spinner - 2 Ear - Plain - LH	A/R	
4	W183R	Spinner - 2 Ear - MG Logo - RH	A/R	
4	W183L	Spinner - 2 Ear - MG Logo - LH	A/R	
5	W172R	Spinner - Octagonal - Plain - RH	A/R	
5	W172L	Spinner - Octagonal - Plain - LH	A/R	
5	W173R	Spinner - Octagonal - MG Logo - RH	A/R	
5	W173L	Spinner - Octagonal - MG Logo - LH	A/R	
6	W186R	Spinner - 3 Ear - Plain - RH	A/R	
6	W186L	Spinner - 3 Ear - Plain - LH	A/R	
7	31G5961	Wheel Brace	1] Disc wheels
8	11H1051	Hub Cap Lever	1	
9	W174	Spanner - Octagonal Spinners	1	Wire wheels
10	W176	Wheel Spinner Remover - Steel	1	2 ear spinners only

Made in steel with long handle to easily remove or fit wheel spinners.

11	W178	Spinner Saver - Plywood	1	2 ear spinners only
----	------	-------------------------	---	---------------------

Protect the chrome on your spinners with this sturdy plywood saver.

12	11B5166	Hammer - Copper - Original Type	1
13	W190	Hammer - Copper/Hide	1
14	W175	Hammer - Lead	1

Aside from their traditional use for fitting wire wheels, these soft-faced hammers are a must for any workshop.

15	W195	Wheel Cleaning Brush	1	
16	MM385-800	Spoke Spanner	1	Wire wheels
17	AHH5124K	Jack Set - Original Type	1	Includes 2 piece handle and tommy bar
18	AJJ281K	Tyre Iron Set	1	
19	AHH5080	Starting Handle - Original Type	1	

Maintaining Chromework:

The chromium plating on all club products is top quality and complies with BS1224, the industry standard for automotive products. To protect and preserve the chromium finish it is important that you apply Wonder Wax/Wonder Chrome - BEFORE FITTING - and reapply at regular intervals. Wiping surfaces with a soft cloth soaked in Castrol DWF will also give excellent protection against corrosion in winter.

Telephone: 01954 230928 Fax: 01954 231923, Buy Online: www.mgocspares.co.uk



MGA
1500, 1600
& 1600 MkII

LAMPS & LENSES:

HEADLAMPS

INDICATORS

DRIVING/FOG LAMPS

REAR LAMPS

NUMBER PLATE LAMP

MAP LAMP



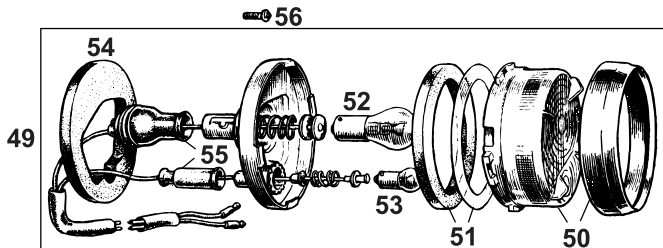
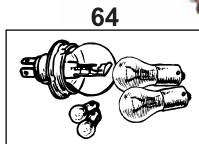
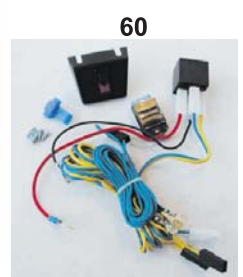
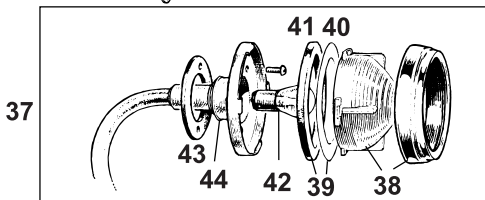
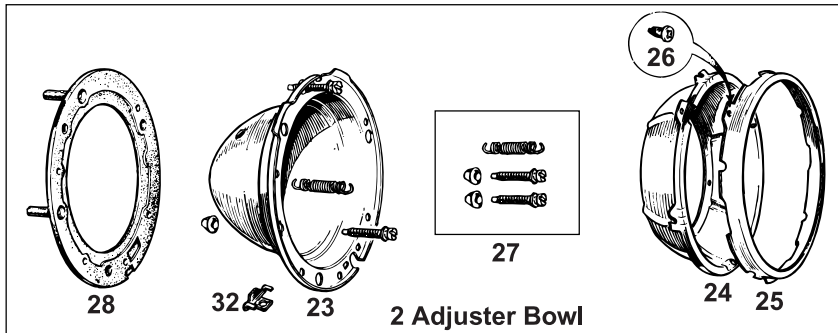
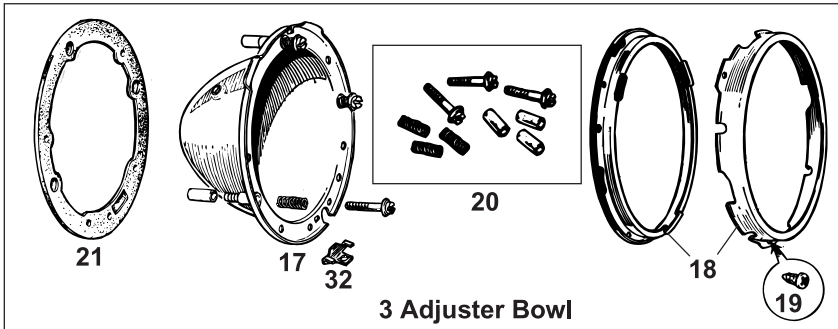
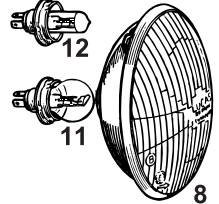
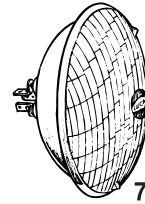
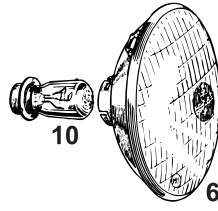
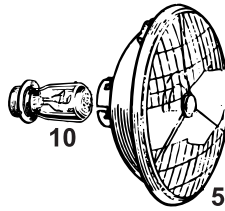
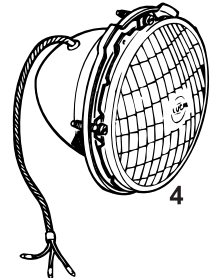
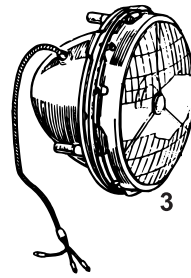
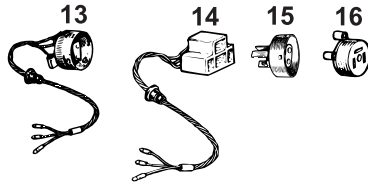
MGOC Spares & Accessories, Octagon House, Swavesey, Cambridge CB24 4QZ
Tel: 01954 230928 and 01954 231318 Email: sales@mgocspares.co.uk



MGA
1500, 1600
& 1600 MkII



Lucas





MGA

1500, 1600 & 1600 MkII



- 1 M100 Halogen Conversion Kit - RHD 1
- 1 M101 Halogen Conversion Kit - LHD 1

Kits contain two light units and H4 60/55 watt bulbs to convert to the advantages of halogen headlamps.

- 2 M100L Halogen Conversion Kit - RHD - Lucas ... 1
- 2 M101L Halogen Conversion Kit - LHD - Lucas ... 1

These superior quality Lucas lamp units are exceptional value and are supplied complete with halogen H4 60/55 watt bulbs.

- 3 506370X Headlamp Assembly - Tripod - RHD 2
- 3 506372X Headlamp Assembly - Tripod - LHD 2
- 4 47H5365 Headlamp Assembly - BPF Type - RHD ... 2
- 4 17H5543 Headlamp Assembly - BPF Type - LHD ... 2
- 4 BHM7196 Headlamp Assembly - Sealed Beam - RHD2
- 4 514579 Headlamp Assembly - Sealed Beam - LHD 2
- 4 512224X Headlamp Assembly - P45T - LHD 2
- 5 LU554308 Light Unit - Tripod - RHD 2
- 5 LU555296 Light Unit - Tripod - LHD 2
- 6 GLU501 Light Unit - BPF Type - RHD 2
- 6 17H5375 Light Unit - BPF Type - LHD 2
- 7 GLU101 Light Unit - Sealed Beam - RHD 2
- 7 BMK2508 Light Unit - Sealed Beam - LHD 2
- 8 27H4146 Light Unit - P45T - LHD 2
- 9 GLB472 Bulb - H4 - 60/55 Watt 2
- 9 M109 Bulb - H4 - 100/80W 2

} Uses BPF type bulb

Check local regulations before fitting high power 100/80 W bulbs. Also note that it is strongly advised to fit relays to operate high power bulbs to guard against burned light switch contacts.

- 9 M117 Bulb - H4 - 60/55 Watt - Xenon 2
- 10 GLB414 Bulb - BPF - RHD 2
- 10 GLB415 Bulb - BPF - LHD 2
- 11 GLB410 Bulb - P45T - Clear 2
- 11 GLB411 Bulb - P45T - Yellow 2
- 12 GLB2983 Bulb - P45T - Halogen 2
- 13 27H2333 Headlamp Loom - BPF 2
- 14 BAU2110 Headlamp Loom - Sealed Beam/P45T ... 2
- 15 501473 Headlamp Plug Adaptor - BPF 2
- 16 600226A Adaptor - Sealed Beam/P45T 2
- 17 7H6838 Headlamp Bowl 2
- 18 17H5205 Rim Assembly 2
- 19 AB606021 Screw 6
- 20 17H5394K Adjuster Kit 2
- 21 3H1031 Gasket - Headlamp 2
- 22 27H8263X Headlamp Bowl Assembly 2
- 23 HB1 Headlamp Bowl - Metal 2
- 23 HB2 Headlamp Bowl - Plastic 2
- 24 27H6481 Inner Bowl 2
- 25 515218 Retaining Rim - Chrome 2
- 26 AB606021 Screw 6
- 27 BHM7058 Adjuster and Spring Kit 2
- 28 13H565 Gasket - Headlamp 2
- 29 3H2962 Dust Excluder 2
- 30 142001 Rim - Headlamp - Chrome 2
- 31 RTC465 Screw 2
- 32 37H7421A Clip - Rim 2
- 33 PMZ314 Screw - Lamp to Body 8
- 34 GHF206 Nut 4
- 35 WL700101 Washer - Spring 8
- 36 GHF306 Washer - Plain 8
- 37 ACC5292 Sidelamp Assembly 2
- 38 17H5428 Lens and Rim 2
- 39 17H5305K Gasket Set - Lens 2
- 40 17H5305 Gasket - Plastic 2
- 41 17H5308 Gasket - Rubber 2
- 42 GLB380 Bulb - Sidelamp 2
- 43 17H5309 Gasket - Lamp to Body 2
- 44 37H5525 Boot - Lamp 2
- 45 PMZ208 Screw - Lamp to Body 6
- 46 CNZ102 Nut 6
- 47 WL700061 Washer - Spring 6
- 48 PWZ202 Washer - Plain 6
- 49 13H6396 Sidelamp Assembly 2
- 49 13H520 Sidelamp Assembly 2
- 50 47H5507 Lens and Rim - Clear/Amber 2
- 50 47H5508 Lens and Rim - Clear 2
- 51 17H5307K Gasket Set - Lens 2
- 52 GLB382 Bulb - Indicator 2
- 53 GLB989 Bulb - Sidelamp 2
- 54 47H5505 Gasket - Lamp to Body 2
- 55 37H5294K Boot Kit - Lamps - 4 Pieces 1
- 56 PMZ306 Screw - Lamp to Body 4
- 57 K017 Chrome Stoneguards - Pair 1

Extra bright Xenon H4 type bulbs

Also takes halogen bulb
Adapts sealed beam/P45T plug to take BPF lamp

} Three adjuster headlamp bowl (original style)

} Two adjuster headlamp bowl

} 1500

} RHD 1600, 1600 MkII
LHD 1600, 1600 MkII
RHD 1600, 1600 MkII
LHD 1600, 1600 MkII

} 1600, 1600 MkII

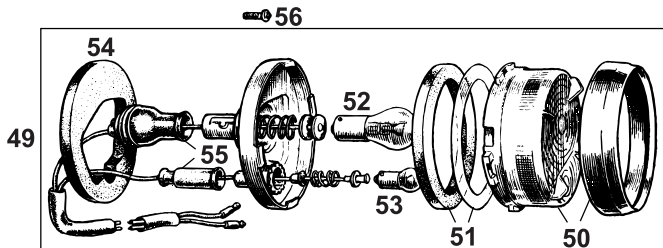
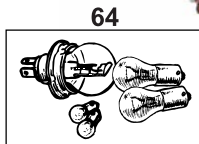
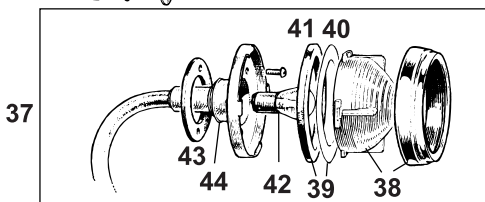
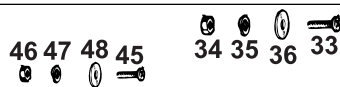
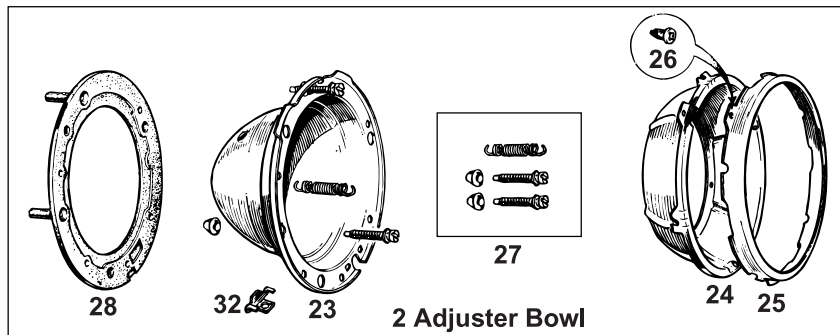
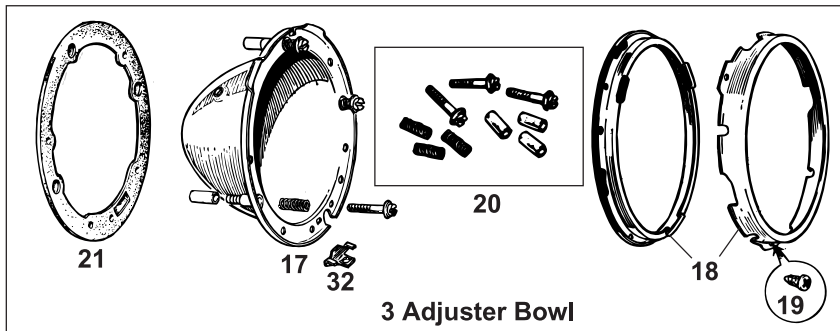
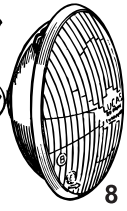
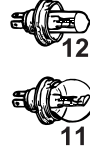
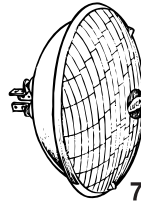
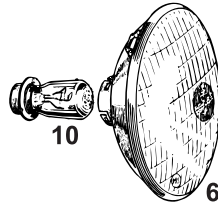
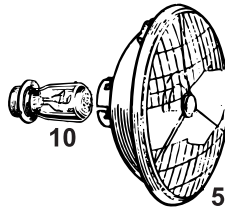
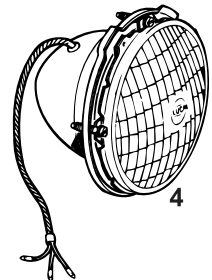
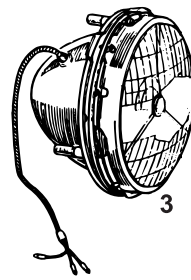
Chromium wire stoneguards to protect your 7" MG headlamps.



MGA
1500, 1600
& 1600 MkII



Lucas





MGA
1500, 1600
& 1600 MkII



- 58 K050 Driving Lamp - Lucas Classic2
- 58 K055 Driving Lamp - Replica2
- 59 K056 Fog Lamp - Replica2

The K050 driving lamp is the authentic style classic Lucas SLR576 lamp, beloved by owners of 1950s and 1960s cars; K055 and K056 are replicas of the SLR576 and SFT576 respectively.

- 60 M104E Wiring Kit - Driving and Fog Lamps1 Includes wiring, switch and relay
- 61 K031 Bracket - Chrome - Driving/Fog Lamp2
- 62 F035 Lamp Cover - Lucas 'Q'2
- 63 F036 Lamp Cover - Lucas2

Originally offered in the 1960s, the Lucas 6" fog and driving lamp covers are available once more.

- 64 M111 Spare Bulb Kit - Standard1 Includes P45T headlamp bulb
- M110 Spare Bulb Kit - Halogen1 Includes halogen headlamp bulb

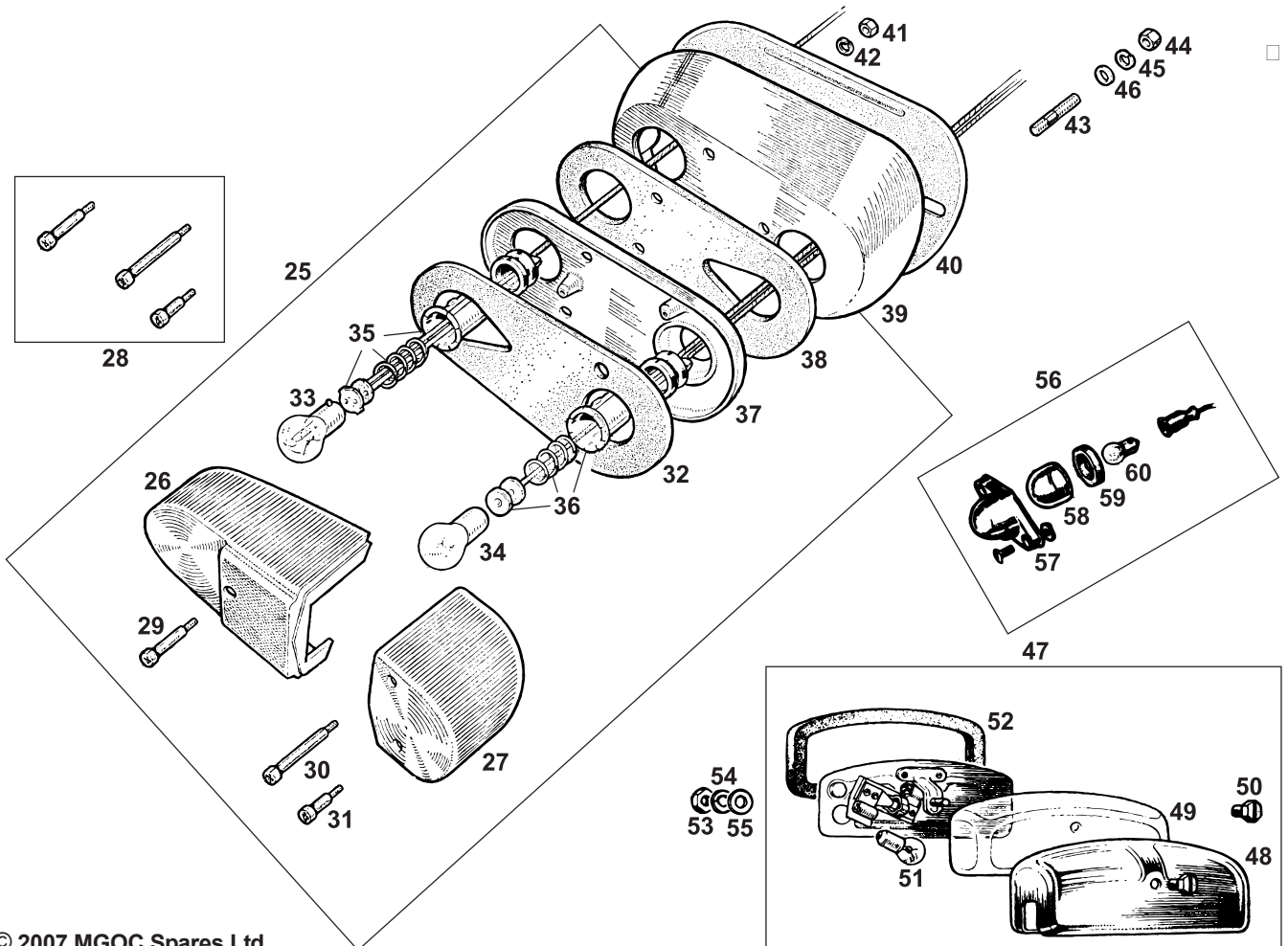
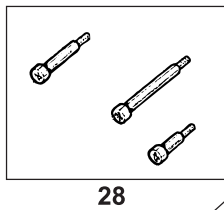
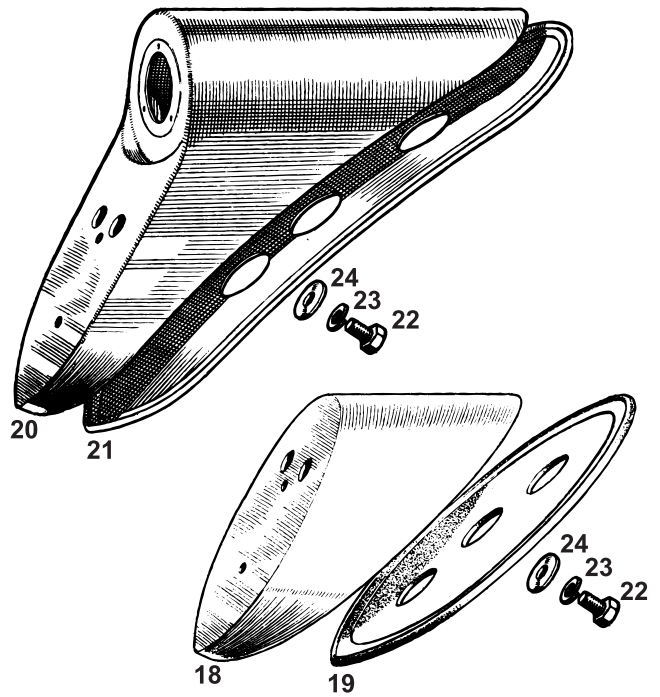
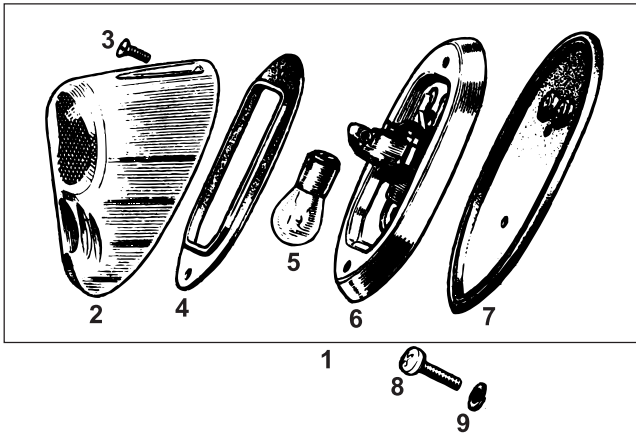
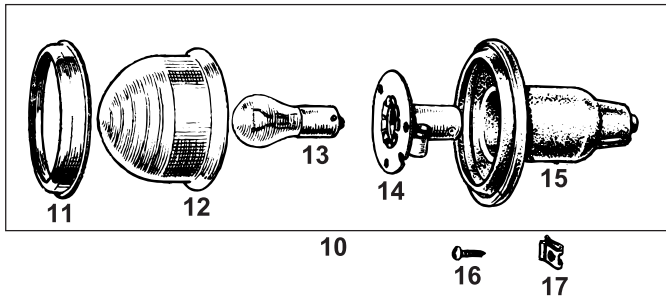
Maintaining Chromework:

The chromium plating on all club products is top quality and complies with BS1224, the industry standard for automotive products. To protect and preserve the chromium finish it is important that you apply Wonder Wax/Wonder Chrome - BEFORE FITTING - and reapply at regular intervals. Wiping surfaces with a soft cloth soaked in Castrol DWF will also give excellent protection against corrosion in winter.

Telephone: 01954 230928 Fax: 01954 231923, Buy Online: [\[www.mgocspares.co.uk\]](http://www.mgocspares.co.uk)



MGA
1500, 1600
& 1600 MkII



© 2007 MGOC Spares Ltd

Telephone: 01954 230928 Fax: 01954 231923, Email: sales@mgocspares.co.uk



MGA
1500, 1600
& 1600 MkII



1	13H23	Rear Lamp Assembly	2	1500, 1600	
2	AJA5069	Lens - Rear Lamp	2		
3	57H5569	Screw - Lens	4		
4	AJA5071	Gasket - Lens	2		
5	GLB380	Bulb - Rear Lamp	2		
6	AJA5072	Body - Lamp - Chrome	2		
7	AJA5073	Gasket - Lamp to Plinth	2		
8	PMZ308	Screw - Lamp to Plinth	4		
9	WL700101	Washer - Spring	4		
10	2A9013	Indicator Lamp - Amber - Glass Lens	2		1600, not North America
10	CHM13	Indicator Lamp - Amber - Plastic Lens	2		
10	2A9040	Indicator Lamp - Red - Plastic Lens	2	1600 North America	
11	7H5182	Rim - Lamp	2	1600	
12	37H5520	Lens - Amber - Glass	2	1600, not North America	
12	37H8130	Lens - Amber - Plastic	2		
12	37H5531	Lens - Red - Glass	2	1600 North America	
13	GLB382	Bulb - Indicator	2	1600	
14	37H5528	Bulb Holder	2		
15	508162	Boot - Lamp	2		
16	AB606051	Screw - Lamp to Plinth	6		
17	AK606021	Nut - Spire	6		
18	AHH5392	Plinth - Lamp - RH	1		1500
18	AHH5393	Plinth - Lamp - LH	1		
19	AHH5505	Gasket - Plinth to Body	2		1600
20	AHH5920	Plinth - Lamp - RH	1		
20	AHH5921	Plinth - Lamp - LH	1		1600
21	AHH5918	Gasket - Plinth to Body	2		
22	SH604051	Screw - Plinth to Body	4	1500, 1600	
23	GHF331	Washer - Spring	4		
24	GHF301	Washer - Plain	4		
25	BHA4229	Rear Lamp Assembly - RH	1		
25	BHA4228	Rear Lamp Assembly - LH	1		
26	47H5358	Lens - Stop Tail - RH	1		
26	47H5363	Lens - Stop Tail - RH	1		
27	47H5355	Lens - Indicator - Amber - RH	1		
27	47H5362	Lens - Indicator - Amber - LH	1		
27	47H5480	Lens - Indicator - Red - RH	1		
27	47H5479	Lens - Indicator - Red - LH	1		
28	47H5356K	Lens Screw Kit	2	1600 MkII	
29	47H5359	Screw - Stop Tail Lens	2		
30	47H5356	Screw - Indicator Lens - Long	2		
31	47H5357	Screw - Indicator Lens - Short	2		
32	47H5360	Gasket - Lens	2		
33	GLB380	Bulb - Stop Tail	2		
34	GLB382	Bulb - Indicator	2		
35	37H5459	Bulbholder - Stop Tail	2		
36	37H5452	Bulbholder - Indicator	2		
37	57H5401	Body - Lamp - Chrome - RH	1		
37	57H5400	Body - Lamp - Chrome - LH	1		
38	57H5399	Gasket - Lamp to Plinth	2		
39	AHH6118	Plinth - Lamp - RH	1		
39	AHH6119	Plinth - Lamp - LH	1		
40	AHH6116K	Plinth Gasket Kit	1		
41	GHF206	Nut - Lamp to Plinth	6		
42	WL700101	Washer - Spring	6		
43	CHS2511	Stud - Plinth to Body	4		
44	GHF201	Nut	4		
45	GHF332	Washer - Spring	4		
46	PWZ205	Washer - Plain	4		
47	127916	Number Plate Lamp Assembly	1	2 used on later 1600 and replacement lamps	
48	502264	Cover - Lamp - Chrome	1		
49	601721A	Lens - Lamp	1		
50	17H5385	Screw - Chrome	1		
51	GLB989	Bulb - Number Plate Lamp	1/2		
52	57H5368	Gasket - Number Plate Lamp	1		
53	GHF206	Nut - Lamp to Bracket	2		
54	WL700101	Washer - Spring	2		
55	GHF206	Washer - Plain	2		
56	BHA4283	Lamp Assembly - Map	1		
57	37H5426	Cover - Lamp - Chrome	1		
58	606078	Lens	1		
59	17H5302	Gasket - Lamp	1		
60	GLB987	Bulb	1		

Telephone: 01954 230928 Fax: 01954 231923, Buy online: [\[www.mgocspares.co.uk\]](http://www.mgocspares.co.uk)



MGA
1500, 1600
& 1600 MkII

WASH WIPE:

ARMS/BLADES

INTERMITTENT KIT

WIPER MOTOR

WHEELBOX/RACK

RESERVOIR

JETS

PUMPS

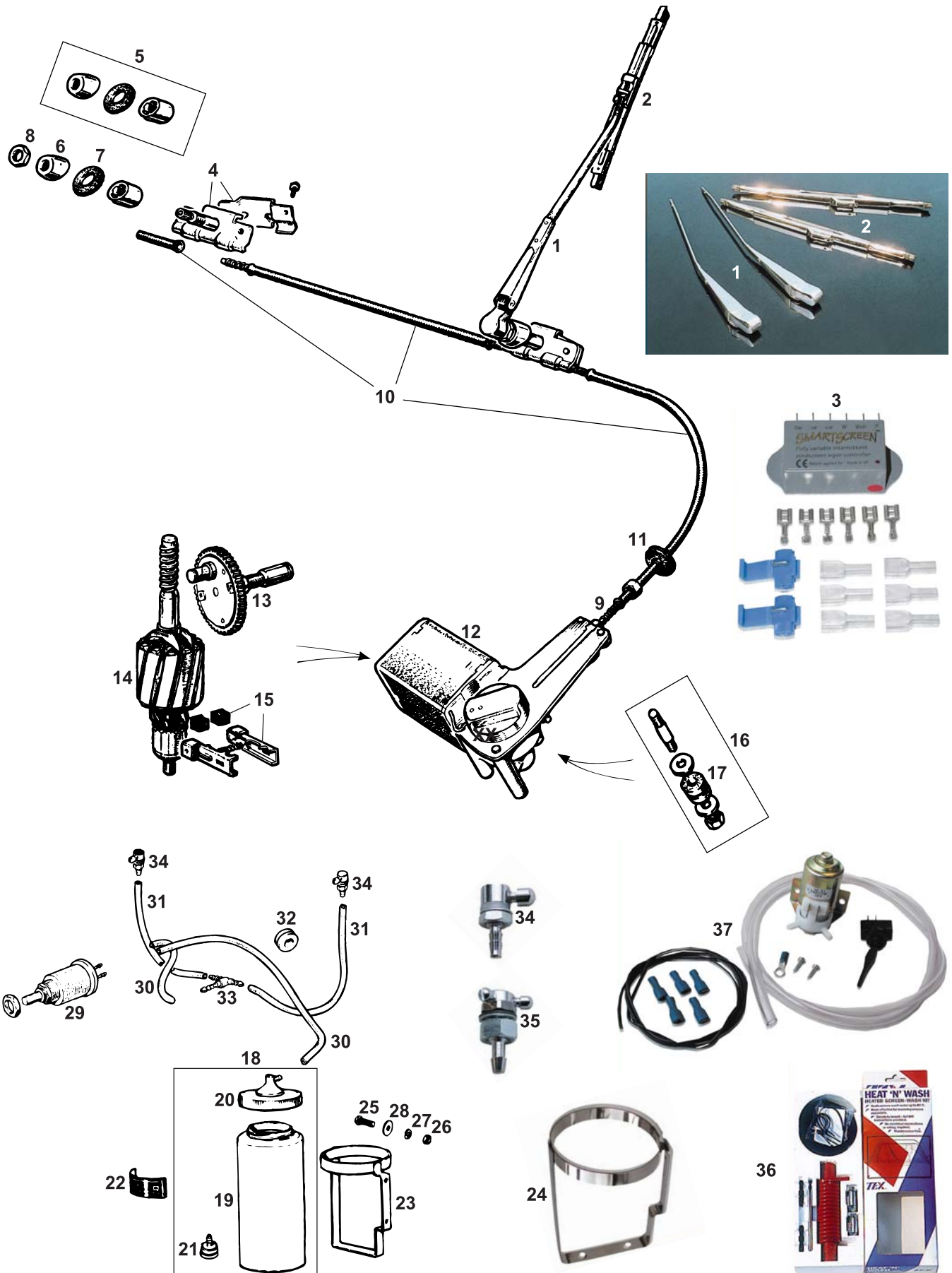
HEAT N WASH



MGOC Spares & Accessories, Octagon House, Swavesey, Cambridge CB24 4QZ
Tel: 01954 230928 and 01954 231318 Email: sales@mgocspares.co.uk



MGA
1500, 1600
& 1600 MkII



© 2007 MGOC Spares Ltd

Telephone: 01954 230928 Fax: 01954 231923, Email: sales@mgocspares.co.uk



MGA
1500, 1600
& 1600 MkII



1	F227	Wiper Arm - Bright Finish2	Right hand drive
1	F231	Wiper Arm - Bright Finish2	Left Hand Drive
2	F229	Wiper Blade - Bright Finish2	
3	F363	Smartscreen Intermittent Wipers1	For original positive earth cars
3	F364	Smartscreen Intermittent Wipers1	For cars converted to negative earth

These wiper delay kits, control variable from 3 to 30 seconds, utilise the original wiper switch and so retain original appearance.

4	37H6316	Wheel Box Assembly2	
5	BAU1465	Bezel Kit - 3 Pieces2	
6	ADB826	Bezel - Chrome2	
7	ADC560	Seal - Scuttle2	
8	ANK3459	Nut - Wheel Box - Chrome - 6 Sided2	
9	37H5208	Wiper Rack1	Cut to correct length
10	AHH5410K	Rack Tube Kit - 3 Pieces1	
11	C5574	Grommet - Rack Tube1	
12	17H5475E	Wiper Motor - Reconditioned Exchange1	Original type
12	GXE7714RE	Wiper Motor - Reconditioned Exchange1	Replacement type
13	37H5437	Shaft and Gear - Wiper Motor1	
14	17H5255	Armature - Wiper Motor1	
15	508170	Brush and Spring Kit1	
16	17H5431	Mounting Kit - Wiper Motor3	
17	17H5431X	Grommet - Mounting3	Included in kit
18	GWW918K	Washer Bottle and Cap1	
19	GWW918	Washer Bottle1	
20	AHH6848	Cap Assembly1	
21	GWW506	Foot Valve1	
22	BML2028	Decal - 'Tudor' - 3 Pieces1	
23	7H9781	Bracket - Washer Bottle - Painted Finish1	
24	13H232SS	Bracket - Washer Bottle - Stainless Steel1	Corrosion-resistant alternative
25	PMZ308	Screw2	
26	GHF206	Nut2	
27	WL700101	Washer - Spring2	
28	GHF306	Washer - Plain2	
29	GWW102	Washer Pump - Manual1	Replacement Type
30	GWW202M	Tubing - 6.4mm Ext. Dia.A/R	
31	GWW201M	Tubing - 4.8mm Ext. Dia.A/R	
32	RFR503	Grommet - Tubing1	
33	GWW408	Connector - 3 Way1	
34	GWW802	Jet Assembly - Single - Chrome2	Original style
35	GWW801	Jet Assembly - Twin - Chrome2	Alternative
36	F328	Heat-n-Wash Kit1	Helps prevent jet icing by pre-heating screen wash fluid
37	F325	Electric Washer Kit1	

The electric washer kit includes all components required to convert earlier MG models from manual to electric pump operation.

Telephone: 01954 230928 Fax: 01954 231923, Buy online: [\[www.mgocspares.co.uk\]](http://www.mgocspares.co.uk)



MGA
1500, 1600
& 1600 MkII

INSTRUMENTS:

SPEEDOMETERS

TACHOMETERS

CABLES

DUAL GAUGES

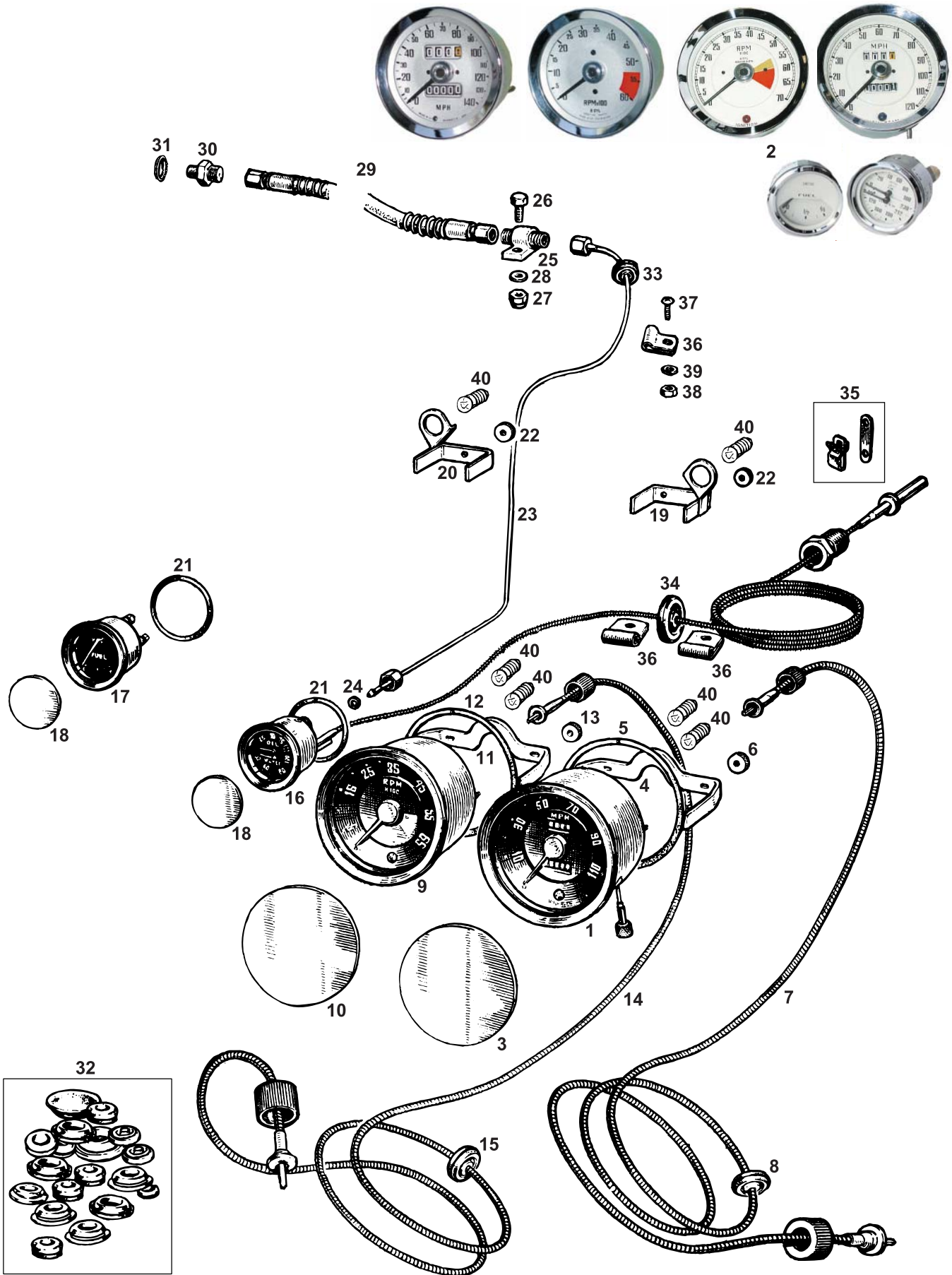
FUEL GAUGES



MGOC Spares & Accessories, Octagon House, Swavesey, Cambridge CB24 4QZ
Tel: 01954 230928 and 01954 231318 Email: sales@mgocspares.co.uk



MGA
1500, 1600
& 1600 MkII



© 2007 MGOC Spares Ltd

Telephone: 01954 230928 Fax: 01954 231923, Email: sales@mgocspares.co.uk



MGA

1500, 1600 & 1600 MkII



Important note: because of the scarcity of core units, reconditioning usually takes place on customers' own speedometers. This is often the case with other MGA gauges as well. Below are listed the most common speedometers for cars with standard final drive ratios; however many more speedometers were fitted to MGAs for other circumstances - please contact us for details or assistance in identifying your unit. The part numbers we use are the Smiths/British Jaeger numbers, which are printed on the gauge face. Additionally, please note that speedometers can be recalibrated or regearred (e.g. from MPH to KPH, or for a change of final drive ratio) if required.

1	SN6104/02E	Speedometer - MPH - Recon Exchange	.. 1	1500 up to ch. no. 14089 (4.3:1 final drive)
1	SN6104/03E	Speedometer - KPH - Recon Exchange	.. 1	1500 up to ch. no. 14089 (4.3:1 final drive)
1	SN6104/06E	Speedometer - MPH - Recon Exchange	.. 1	1500 from ch. no. 14090 to Sept 1958 (4.3:1 final drive)
1	SN6104/07E	Speedometer - KPH - Recon Exchange	.. 1	1500 from ch. no. 14090 to Sept 1958 (4.3:1 final drive)
1	SN6161/06E	Speedometer - MPH - Recon Exchange	.. 1	1500 from Sept. 58, 1600, 1600 MkII to ch. no. 100351 (4.3:1 final drive)
1	SN6161/07E	Speedometer - KPH - Recon Exchange	.. 1	1500 from Sept. 58, 1600, 1600 MkII to ch. no. 100351 (4.3:1 final drive)
1	SN6161/12E	Speedometer - MPH - Recon Exchange	.. 1	1600 MkII from ch. no. 100352 (4.1:1 final drive)
1	SN6161/13E	Speedometer - KPH - Recon Exchange	.. 1	1600 MkII from ch. no. 100352 (4.1:1 final drive)
1	SN6161/33E	Speedometer - KPH - Recon Exchange	.. 1	1600 MkII from ch. no. 100352, alternative (4.1:1 final drive)

Original instruments can also, on request, be refurbished with Magnolia or Silver faces to contrast with or enhance the dashboard. Please contact us for details.

2 - Magnolia or Silver Faced Instruments . . . A/R

3	AJH5177	Glass - Speedometer 1	
4	AJH5176	Clamp - Speedometer 1	
5	AJH5178	O Ring - Speedometer 1	
6	17H1304	Nut - Knurled 2	
7	GSD109	Cable - Speedometer 1	Right hand drive
7	GSD114	Cable - Speedometer 1	Left hand drive
8	ACB8474	Grommet - Cable 1	
9	RN2102/00E	Tachometer - Reconditioned Exchange	.. 1	1500 up to ch. no. 14089 (also numbered 51-112-102-00)
9	RN2300/01E	Tachometer - Reconditioned Exchange	.. 1	1500 from ch. no. 14090 onwards, 1600
9	RN2350/01E	Tachometer - Reconditioned Exchange	.. 1	1600 MkII
10	AJH5177	Glass - Speedometer 1	
11	AJH5176	Clamp - Tachometer 1	
12	AJH5178	O Ring - Tachometer 1	
13	17H1304	Nut - Knurled 2	
14	1B9141	Cable - Tachometer 1	Right hand drive
14	27H1801	Cable - Tachometer 1	Left hand drive
15	ACB8474	Grommet - Cable 1	
16	AHH5188E	Oil/Water Gauge - Reconditioned Exchange	1	°F. 1500 up to ch. no. 14089
16	17H298E	Oil/Water Gauge - Reconditioned Exchange	1	°F. 1500 from ch. no. 14090 onwards, 1600, 1600 MkII
16	BHA4110E	Oil/Water Gauge - Reconditioned Exchange	1	°C. 1500 from ch. no. 14090 onwards, 1600, 1600 MkII
17	AHH5189E	Fuel Gauge - Reconditioned Exchange	.. 1	1500 up to ch. no. 14089
17	17H299E	Fuel Gauge - Reconditioned Exchange	.. 1	1500 from ch. no. 14090 onwards, 1600, 1600 MkII
18	17H1068	Glass - Oil/Water and Fuel Gauges 2	
19	AJH5186	Clamp - Oil/Water Gauge 1	
20	AJH5185	Clamp - Fuel Gauge 1	
21	17H1642	O Ring - Oil/Water and Fuel Gauges 2	
22	17H932	Nut - Knurled 2	
23	AHH5323	Tube - Oil Gauge 1	
24	2K4936	Washer - Leather 1	
25	AAA628	Connector - Pipe to Hose 1	
26	GHF117	Screw 1	
27	GHF221	Nut - Nyloc 1	
28	GHF300	Washer - Plain 1	
29	AAA627	Hose - Oil 1	
30	11G15	Adaptor - Oil Hose 1	
31	6K638	Washer - Sealing 1	
32	GKS2002X	Grommet Kit - Bulkhead - 33 Pieces 1	
33	AAA643	Grommet - Oil Pipe 1	
34	600395	Grommet - Capillary Tube 1	
35	BHA4081K	Clip Set - Capillary Tube 1	
36	PCR307	Clip - Oil Pipe and Capillary Tube 3	
37	PMZ308	Screw 3	
38	GHF206	Nut 3	
39	WL700101	Washer - Spring 3	
40	GLB987	Bulb - Instrument 8	

Telephone: 01954 230928 Fax: 01954 231923, Buy online: [\[www.mgocspares.co.uk\]](http://www.mgocspares.co.uk)



MGA
1500, 1600
& 1600 MkII

ELECTRICS:

HORNS

SWITCHES

LOOMS

BATTERY

CABLES

CLAMPS

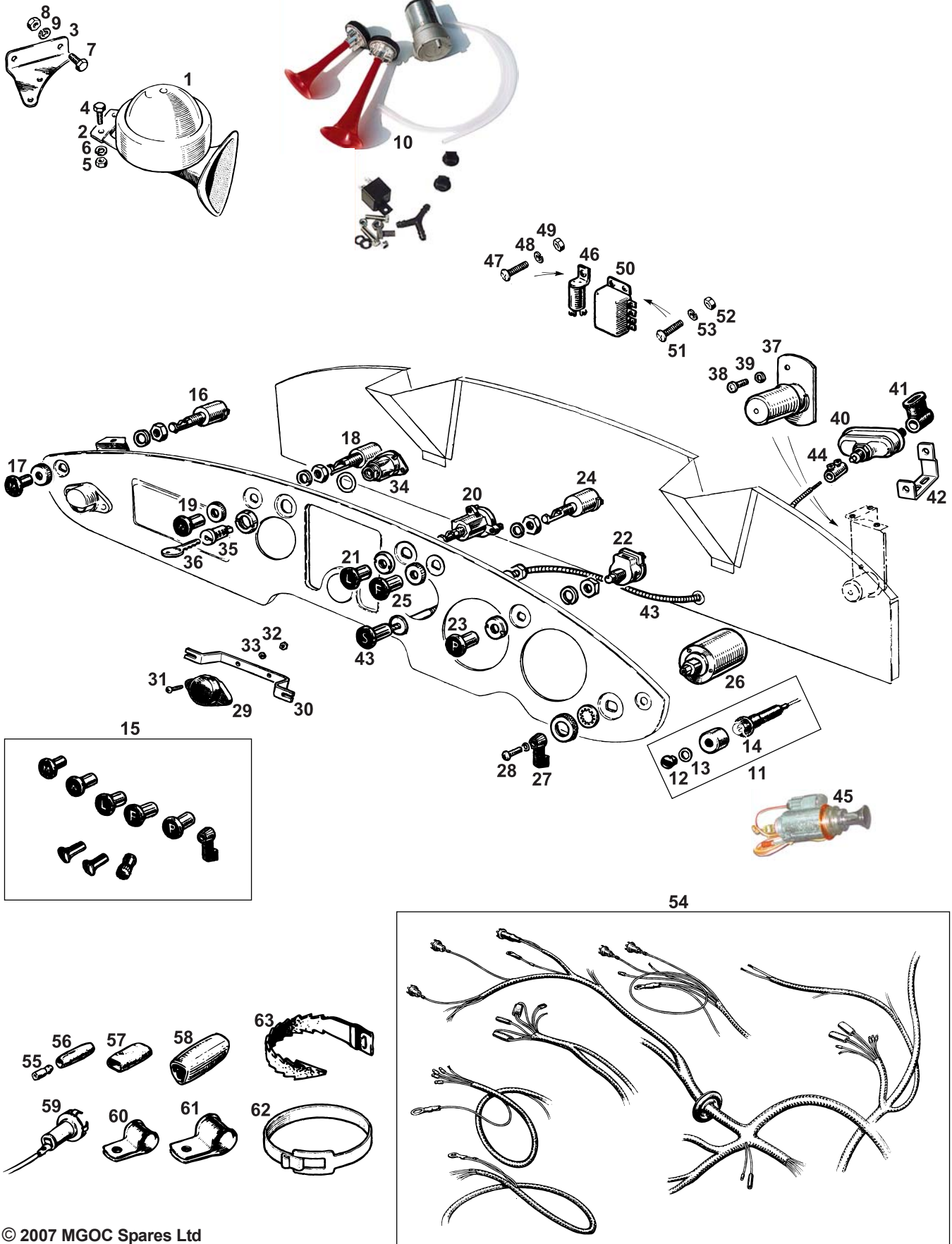
CONDITIONER



MGOC Spares & Accessories, Octagon House, Swavesey, Cambridge CB24 4QZ
Tel: 01954 230928 and 01954 231318 Email: sales@mgocspares.co.uk



MGA
1500, 1600
& 1600 MkII



© 2007 MGOC Spares Ltd

Telephone: 01954 230928 Fax: 01954 231923, Email: sales@mgocspares.co.uk



MGA
1500, 1600
& 1600 MkII



1	1B9007	Horn - Low Note - RH	1	Standard. Lucas replacement type
1	1B9008	Horn - High Note - LH	1	Optional. Lucas replacement type
2	160-200	Bracket - Horn	1/2	Included in horn assembly
3	AAA2088	Bracket - Horn to Chassis - RH	1	
3	AAA2107	Bracket - Horn to Chassis - LH	1	
4	SH604071	Screw	2/4	
5	GHF200	Nut	2/4	
6	GHF331	Washer - Spring	2/4	
7	SH605051	Screw	2/4	
8	GHF201	Nut	2/4	
9	GHF332	Washer - Spring	2/4	
10	F330	Air Horns - Triple - Targa	1	
10	F335	Air Horns - Double - Monza	1	
11	37H5182	Lamp - Warning - Indicators	1	
12	AJG5046	Lens - Green	1	
13	AAA3763	Washer - Lens	1	
14	GLB987	Bulb	1	
15	GKS2001X	Dash Knob Set	1	Includes 6 dash knobs plus 3 heater knobs
16	2H4841	Switch - Map Lamp	1	With plain knob
17	AHH5362	Knob - Map Lamp Switch	1	Included with switch
18	2H4841	Switch - Wipers	1	With plain knob
19	AHH5364	Knob - Wiper Switch - 'W'	1	Not included with switch
20	3H3098	Switch - Lighting	1	
21	AHH5360	Knob - Lighting Switch - 'L'	1	
22	BHA5047	Switch - Panel Lights	1	
23	AHH5368	Knob - Panel Light Switch - 'P'	1	
24	2H4841	Switch - Driving or Fog Lamps	1	With plain knob
25	AHH5366	Knob - Driving or Fog Lamp Switch - 'F'	1	
26	AMK5607	Switch - Indicators	1	
27	27H5511	Knob - Black	1	Original type
27	11K9308	Knob - White	1	Alternative
28	17H5483	Screw - Knob to Switch	1	
29	2H3383	Push - Horn	1	
30	AHH5287	Bracket - Horn Push	1	
31	PMZ210	Screw	2	
32	CNZ102	Nut	2	
33	WL700061	Washer - Spring	2	
34	107936	Switch - Ignition	1	Does not include lock barrel
35	24G1345	Lock Barrel	1	Includes 2 keys
36	17H2475	Key - Blank - FS Series	A/R	
37	11G2007	Switch - Headlamp Dip	1	
38	PMZ308	Screw	2	
39	WL700101	Washer - Spring	2	
40	3H949	Switch - Starter	1	
41	8G548	Boot - Terminal	2	
42	AHH5002X	Bracket - Starter Switch	1	Welds to chassis
43	AHH5327	Cable - Starter Switch	1	Right hand drive
43	AHH5330	Cable - Starter Switch	1	Left hand drive
44	3H950	Coupling - Cable to Switch	1	
45	AHH7010C	Chrome Cigar Lighter	1	Illuminated
46	GFU2101	Flasher Unit	1	
47	PMZ508	Screw	1	
48	GHF332	Washer - Spring	1	
49	GHF201	Nut	1	
50	3H1454	Relay - Indicators and Brake Lights	1	1500
51	PMZ408	Screw	2	
52	GHF200	Nut	2	
53	GHF331	Washer - Spring	2	

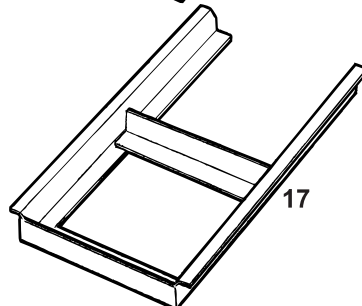
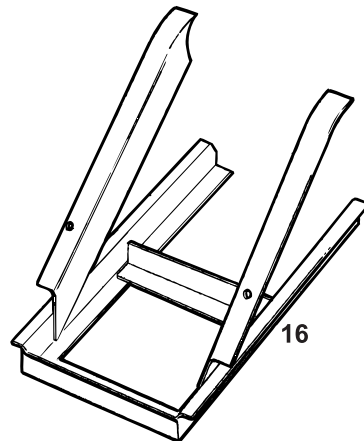
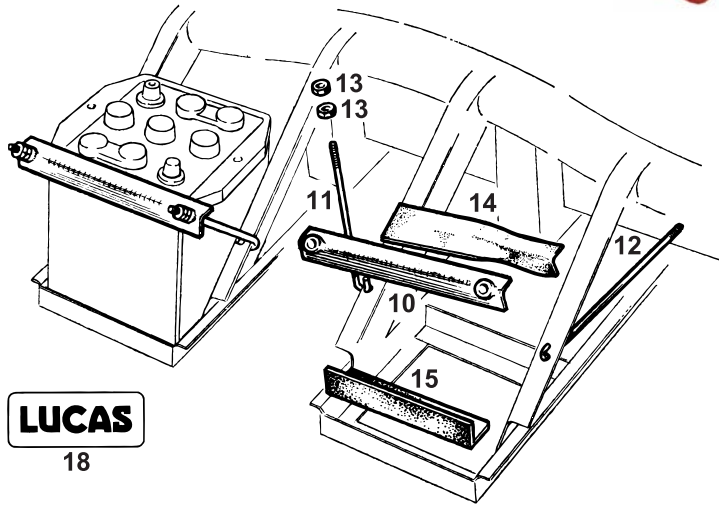
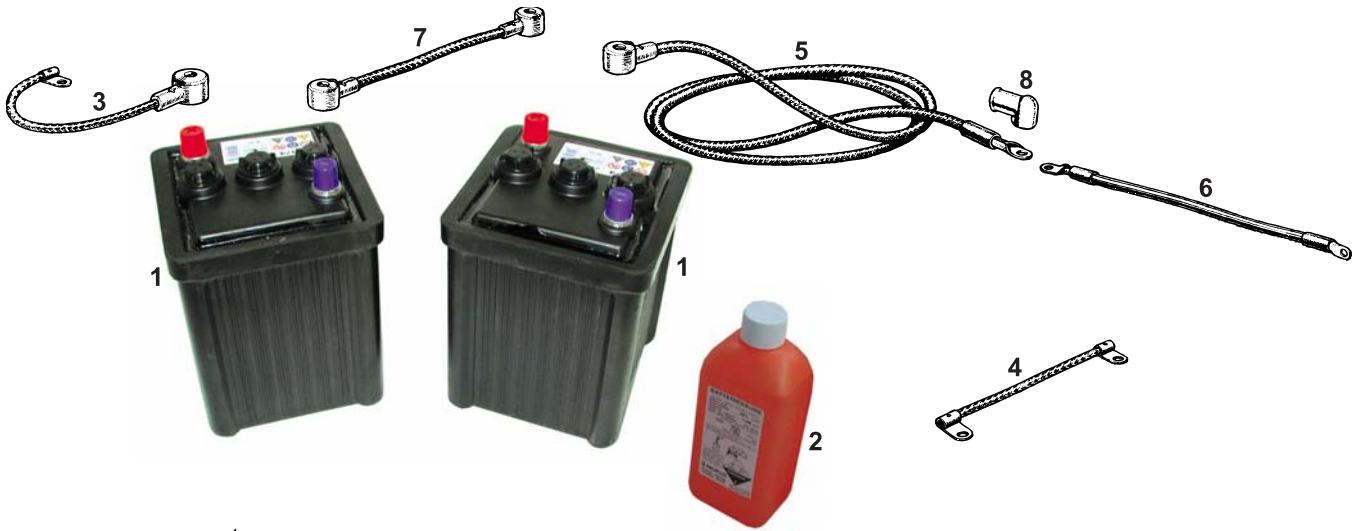
MGOC looms are complete, including the four main extension looms. They are manufactured in the UK.

54	ML594	Loom - Cloth Bound	1	} 1500
54	ML574	Loom - Cloth Bound	1	
54	ML595	Loom - Cloth Bound	1	
54	ML575	Loom - Cloth Bound	1	
55	GHF2200	Bullet - Connector	A/R	
56	2H3406	Connector - Single	A/R	
57	RTC603A	Connector - Double	A/R	
58	2H4992	Connector - Triple	A/R	
59	AEU1313A	Bulb Holder - Panel and Warning Lights	7	
60	AHH5248	Clip - Loom	6	
61	PCR407	Clip - Rear Lamp Wiring	2	
62	2K6640	Strap - Rear Lamp Wiring	2	
63	13H6107	Cleat - Fir Tree	1	

Telephone: 01954 230928 Fax: 01954 231923, Buy online: [\[www.mgocspares.co.uk\]](http://www.mgocspares.co.uk)



MGA
1500, 1600
& 1600 MkII



© 2007 MGOC Spares Ltd

Telephone: 01954 230928 Fax: 01954 231923, Email: sales@mgocspares.co.uk



MGA
1500, 1600
& 1600 MkII



1 D001 Battery - 6 Volt - Heavy Duty2 Dry charged

Six volt batteries are supplied dry charged. Order with or without bottle of acid on mail order to your door - simply fill with acid and start the engine!

2 D010 Battery Acid - 1Kg Bottle6

The Club's unique mail order acid pack, containing acid to the correct specific gravity, allows overnight delivery of a ready-to-use battery.

3 131113 Cable - Battery to Chassis1

Battery earth cable

4 2K6167 Cable - Engine to Chassis1

Engine earth cable

5 AHH5449 Cable - Battery to Starter Switch1

6 BHA4133 Cable - Starter Switch to Starter1

7 AHH5450 Cable - Battery to Battery1

8 8G548 Cap - Insulating A/R

Improves appearance and beats corrosion

9 BCK6AS Battery Clamp Kit - Stainless Steel1

10 AHH6353 Clamp - Battery - Black2

11 AHH5168 Bolt - Clamp Bolt - Short2

12 AHH6750 Bolt - Clamp Bolt - Long2

13 NT604041 Nut8

14 AHH5169 Packing - Clamp2

15 AHH6351 Pad - Battery4

16 AHH6131/2 Cradle - Battery - LH1

16 AHH6131/1 Cradle - Battery - RH1

17 AHH6131B Cradle - Lower Only2

18 LMG1099 Decal - Battery - 'Lucas'2

A valuable safety device in the event of accident or electrical fire, a battery master switch can be easily located behind the driver's seat. It has a removable key for extra security:

19 E009 Master Switch - Battery1

Standard type

E001 Master Switch - Battery1

FIA type

E001A Key - Switch1

Fits standard or FIA types

20 E008 Switch - Battery Isolator - 'Disconnect'1

Mounts to battery posts and cuts off power at turn of a knob. With by-pass fuse to power clock etc.

21 D021 Accumate Battery Conditioner1

The Accumate battery charger and maintainer is completely automatic, safe and simple to use. The advanced 3-stage charging programme features both constant current and constant voltage charging to completely and correctly charge a variety of battery types. It also properly maintains a battery at its correct voltage during storage and long periods of non-use without overcharging and gassing. The Accumate is reverse polarity protected and spark proof and features 5 LED indicator lights, 3 of which indicate the battery's current charge status.

This unit is outstanding for charging and maintaining batteries up to 55Ah and comes with useful ring and clip style cables that have a quick disconnect if you are only maintaining one battery. Accumate is fitted with a UK mains plug and runs with a supply of 220-240 volts only. It has a 2 year guarantee.

Telephone: 01954 230928 Fax: 01954 231923, Buy online: [www.mgocspares.co.uk]



MGA
1500, 1600
& 1600 MkII

HEATER:

HEATER CASING

MATRIX

MOTOR/FAN

CABLES/CONTROLS

DUCTS

WATER VALVE

HOSES/PIPES



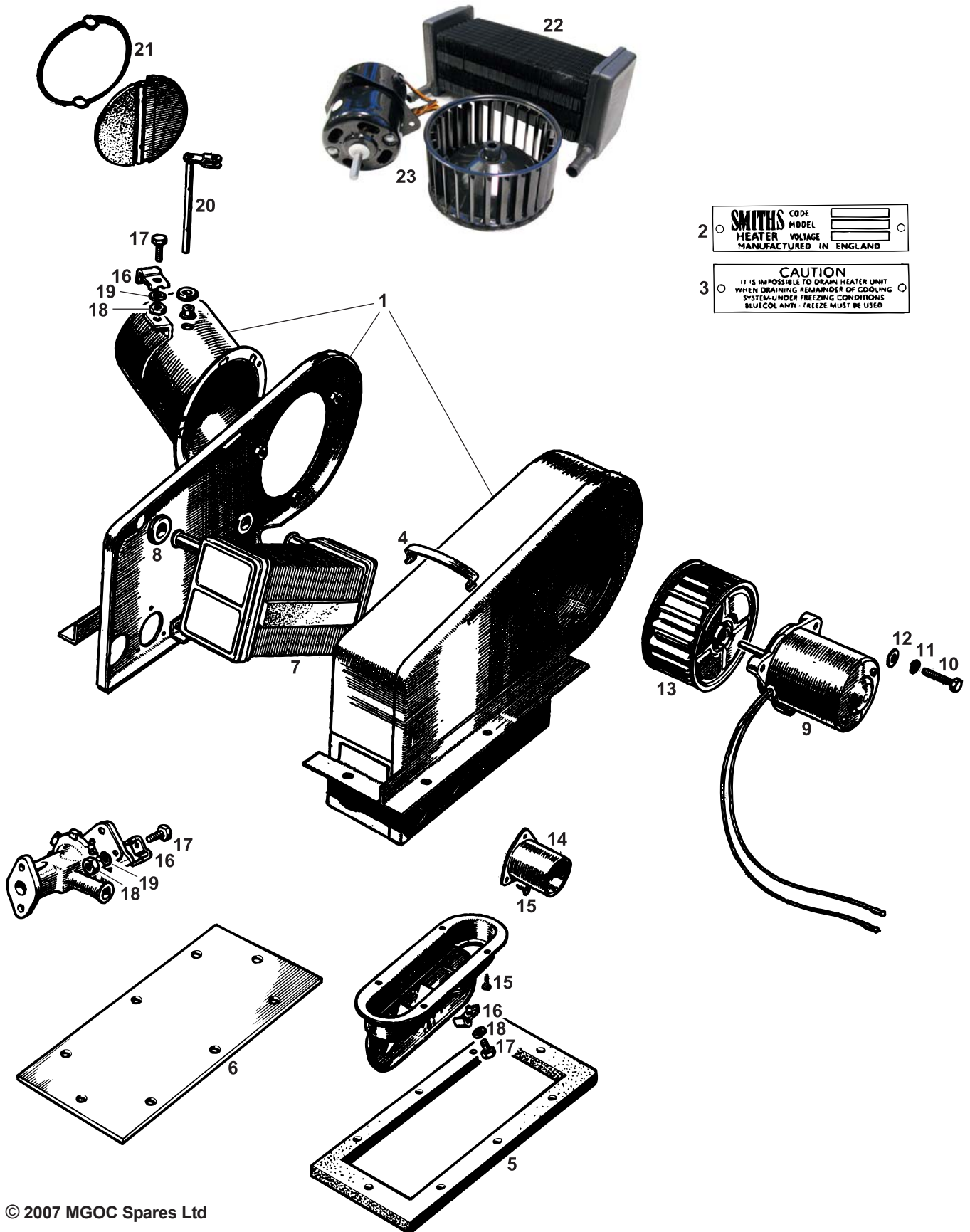
BRITISH
MOTOR
HERITAGE
APPROVED



MGOC Spares & Accessories, Octagon House, Swavesey, Cambridge CB24 4QZ
Tel: 01954 230928 and 01954 231318 Email: sales@mgocspares.co.uk



MGA
1500, 1600
& 1600 MkII



2	SMITHS	CODE	
	HEATER	MODEL	
	VOLTAGE		
	MANUFACTURED IN ENGLAND		

3 **CAUTION**
IT IS IMPOSSIBLE TO DRAIN HEATER UNIT
WHEN DRAINING REMAINDER OF COOLING
SYSTEM UNDER FREEZING CONDITIONS
BLUECOL ANTI-FREEZE MUST BE USED

© 2007 MGOC Spares Ltd

Telephone: 01954 230928 Fax: 01954 231923, Email: sales@mgocspares.co.uk



MGA
1500, 1600
& 1600 MkII



1	AHH5423	Heater Box Assembly	1	
2	BML2015	Heater Plate - 'Smiths'	1	
3	BML2009	Heater Plate - Warning	1	
4	17H1595	Clip - Heater Box	4	
5	AHH5253	Gasket - Heater to Body	1	
6	AHH5252	Plate - Blanking	1	When heater not fitted
7	37H7914	Matrix - Heater	1	
8	7H1993	Grommet - Matrix Inlet/Outlet	2	
9	37H7913	Fan Motor - New - Replacement	1	
10	53K126	Screw - Motor to Heater	3	
11	WL700101	Washer - Spring	3	
12	GHF306	Washer - Plain	3	
13	515825	Fan	1	
14	AHH5426	Tube - Defroster	2	
15	AB606021	Screw - Tube and Vent Flap	10	
16	27H1193	Clamp - Control Cables	3	
17	53K126	Screw - Clamp	3	
18	GHF206	Nut	2	
19	WL700101	Washer - Spring	2	
20	17H1802	Spindle - Air Control Valve	1	
21	7H1996B	Seal - Air Control Valve	1	

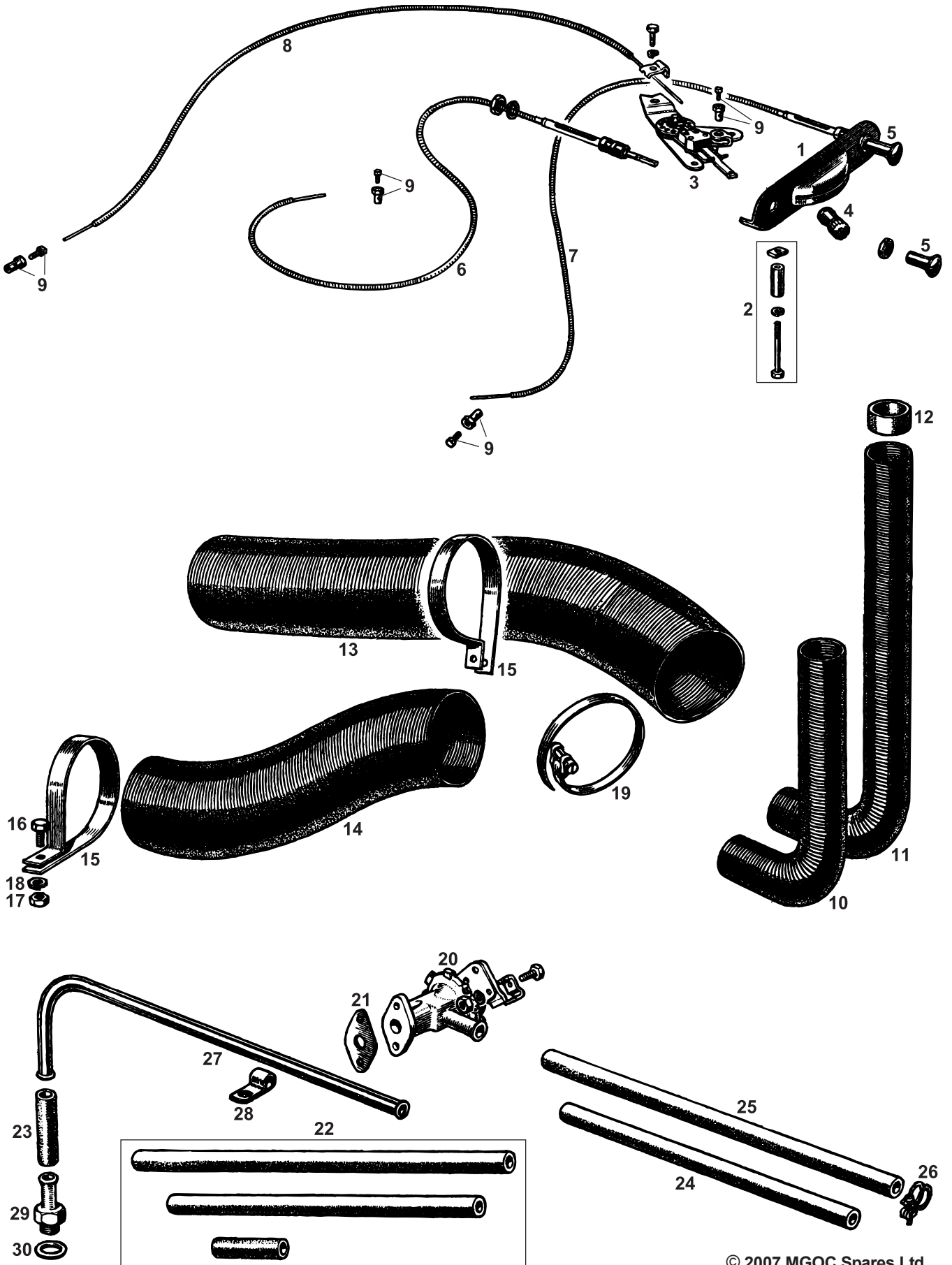
MG heaters are notoriously ineffective so new improved components increase the volume of warm air to the interior:

22	F216	Heater Matrix - High Efficiency	1
23	F217	Heater Motor and Fan - Uprated	1

Telephone: 01954 230928 Fax: 01954 231923, Buy online: [\[www.mgocspares.co.uk\]](http://www.mgocspares.co.uk)



MGA
1500, 1600
& 1600 MkII



© 2007 MGOC Spares Ltd

Telephone: 01954 230928 Fax: 01954 231923, Email: sales@mgocspares.co.uk



MGA
1500, 1600
& 1600 MkII



1	17H518	Panel - Heater Control	1
2	27H1208K	Bolt and Spacer Kit - Panel	2
3	7H1985	Lever and Switch	1
4	17H490	Knob - Heater Fan - 'B'	1
5	17H827	Knob - Cables	2
6	AHH5601	Cable - Air Control	1
7	AHH5602	Cable - Demister Control	1
8	AHH5529	Cable - Water Valve	1
9	24G1482K	Trunnion and Screw Kit - Cables	4
10	AHH5427	Hose - Demister - 14"	1
11	AHH5428	Hose - Demister - 25"	1
12	AHH5429	Adaptor - Demister	2
13	AHH5430	Hose Air Intake - 31"	1
14	AHH5394	Hose Air Intake - 18"	1
15	AHH5714	Clip - Hose Support	2
16	PMZ316	Screw	2
17	GHF206	Nut	2
18	WL700101	Washer - Spring	2
19	14G800	Clamp - Hose	4
20	BHA5298	Valve - Water	1
21	12H3868	Gasket - Valve	1
22	AHH5434K	Heater Hose Kit - 3 Pieces	1
23	AHH5434	Hose - Adaptor to Pipe	1
24	AHH5437	Hose - Pipe to Heater	1
25	AHH5438	Hose - Valve to Heater	1
26	CS4012	Clip - Hose - Wire Type	6
27	AHH5435	Pipe - Heater	1
28	CP110125	Clip - Pipe	2
29	AMK8847	Adaptor - Heater Connection	1
30	232043A	Washer - Sealing	1

Telephone: 01954 230928 Fax: 01954 231923, Buy online: [\[www.mgocspares.co.uk\]](http://www.mgocspares.co.uk)



MGA
1500, 1600
& 1600 MkII

CHASSIS:

CHASSIS BRACKETS

REPAIR PANELS

BODY PACKING KIT

FLOOR BOARDS

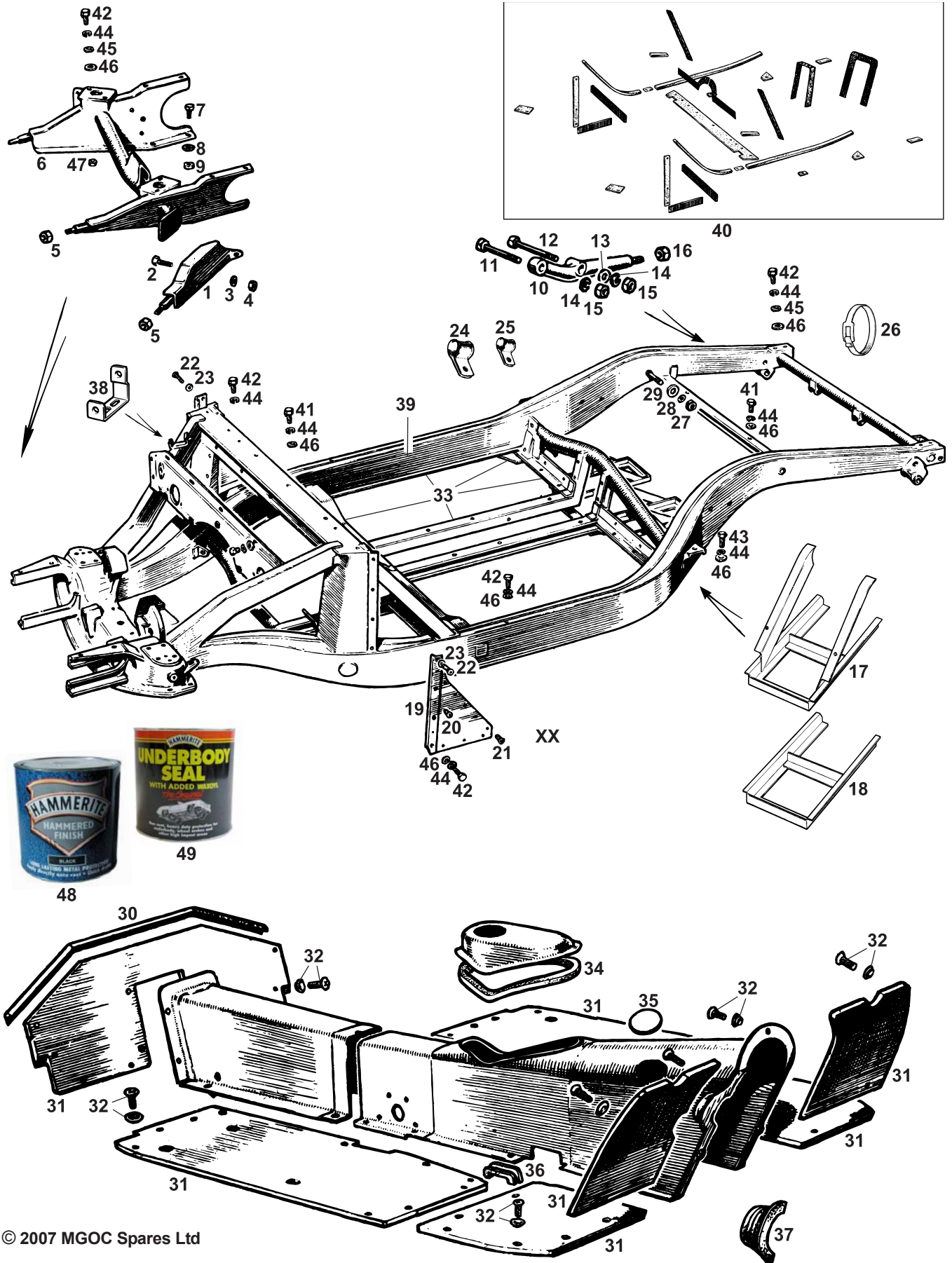
PAINT/UNDERSEAL



MGOC Spares & Accessories, Octagon House, Swavesey, Cambridge CB24 4QZ
Tel: 01954 230928 and 01954 231318 Email: sales@mgocspares.co.uk



MGA
1500, 1600
& 1600 MkII



© 2007 MGOC Spares Ltd

Telephone: 01954 230928 Fax: 01954 231923, Email: sales@mgocspares.co.uk



MGA
1500, 1600
& 1600 MkII



1	AHH5139	Bracket - Front Bumper - RH	1
1	AHH5140	Bracket - Front Bumper - LH	1
2	GHF120	Bolt	6
3	GHF332	Washer - Spring	6
4	GHF201	Nut	6
5	GHF204	Nut - Front Bumper to Bracket	4
6	AHH5924	Front Extension - Chassis	1
7	SH606061	Screw	8
8	GHF333	Washer - Spring	8
9	GHF202	Nut	8
10	AHH5093	Bracket - Rear Bumper - RH	1
10	AHH5094	Bracket - Rear Bumper - LH	1
11	BH607301	Bolt - Short	2
12	BH607321	Bolt - Long	2
13	GHF303	Washer - Plain	2
14	GHF334	Washer - Spring	4
15	GHF203	Nut	4
16	GHF204	Nut - Rear Bumper to Bracket	2
17	AHH6131/1	Battery Cradle - RH	1
17	AHH6131/2	Battery Cradle - LH	1
18	AHH6131B	Battery Cradle - Base Only	2
19	AHH5343	Cover Plate - Alloy - RH	1
19	AHH5344	Cover Plate - Alloy - LH	1
20	GHF402	Screw - Self Tapping	6
21	GHF425	Screw - Self Tapping	8
22	GHF426	Screw - Self Tapping	2
23	PWZ203	Washer - Plain	2
24	AHH5248	Clip - Wiring	6
25	PCR407	Clip - Rear Lamp Wiring	2
26	2K6640	Strap - Rear Lamp Wiring	2
27	GHF202	Nut - Rebound Strap	2
28	GHF333	Washer - Spring	2
29	PWZ206	Washer - Plain	2
30	AHH5455	Seal - Rear Ramp Board	1
31	AHH5262C	Floorboard Kit - 7 Pieces	1
31	AHH5817C	Floorboard Kit - 7 Pieces	1
32	GBK2107X	Screw and Washer Kit - Floorboards	1
33	AHH6131/3	Rail Repair Kit - Floorboard Mounting	1
34	AHH5815X	Gasket - Gearbox Remote Cover	1
35	ACA5300	Plug - Gearbox Dipstick Access	1
36	AHH5194	Seal - Gearbox Cover to Chassis	2
37	AHH5838	Cover - Starter Pinion	1
38	AHH5002X	Bracket - Starter Switch	1
39	AHH6131/7	Outer Sidemember Repair	A/R
40	AHH5177K	Packing Kit - Body to Chassis	1
41	GHF120	Screw - Body Mounting - 3/4" Long	5
42	GHF103	Screw - Body Mounting - 1" Long	20
43	SH605101	Screw - Body Mounting - 1 1/4" Long	2
44	GHF332	Washer - Spring - Body Mounting	27
45	GHF301	Washer - Plain - Body Mounting	8
46	PWZ205	Washer - Plain - Large - Body Mounting	27
47	GHF201	Nut - Body Mounting	8
48	A010	Hammerite Paint - Black	A/R
49	A003	Hammerite Underbody Seal	A/R

1500 up to chassis no 61503
1500 from chassis no 61504 on, 1600, 1600 MkII

2.5 litre can
2.5 litre can



MGA
1500, 1600
& 1600 MkII

BODYSHELL:

OUTER PANELS FRONT

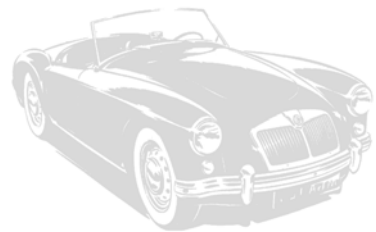
OUTER PANELS REAR

INNER PANELS

BONNET FITTINGS

BOOT LID FITTINGS

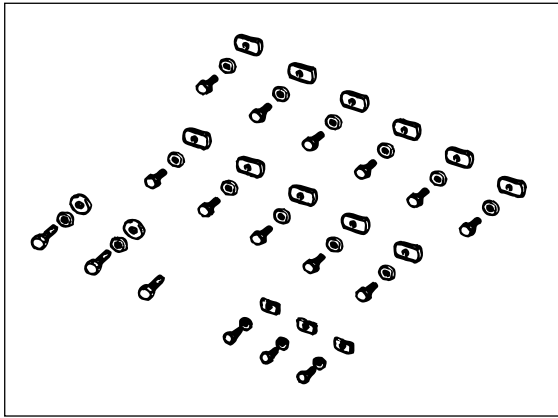
DOOR FITTINGS



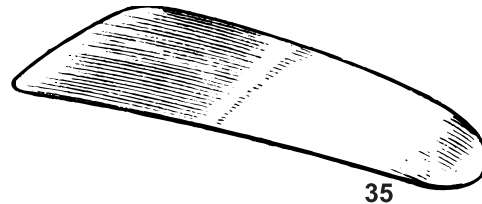
MGOC Spares & Accessories, Octagon House, Swavesey, Cambridge CB24 4QZ
Tel: 01954 230928 and 01954 231318 Email: sales@mgocspares.co.uk



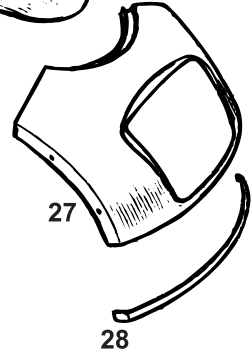
MGA
1500, 1600
& 1600 MkII



5

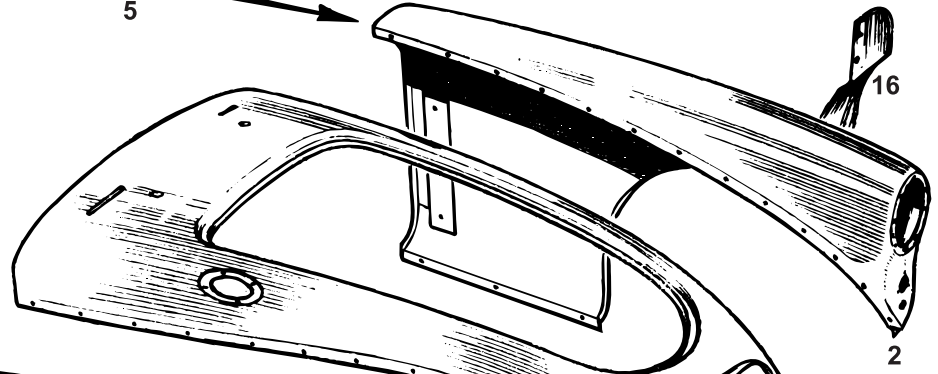


35



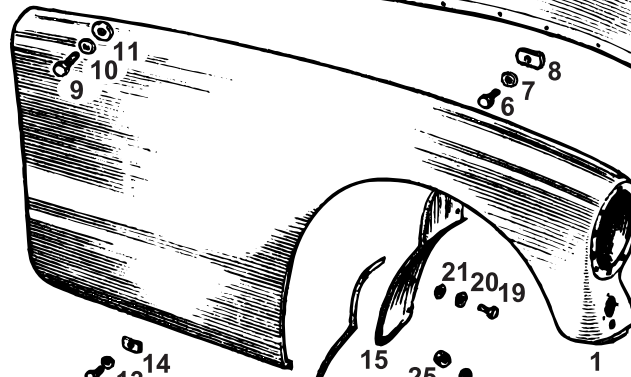
27

28



16

2



26

1

9 10 11

8

7

6

21

20

19

25

24

23

22

12

13

14

15

18

33

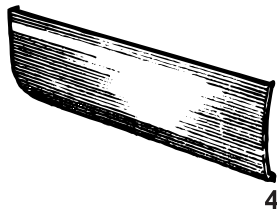
32

31

34

32

31

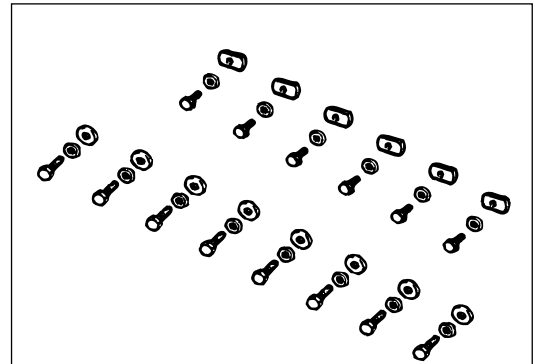


4



3

30



© 2007 MGOC Spares Ltd

Telephone: 01954 230928 Fax: 01954 231923, Email: sales@mgocspares.co.uk



MGA
1500, 1600
& 1600 MkII



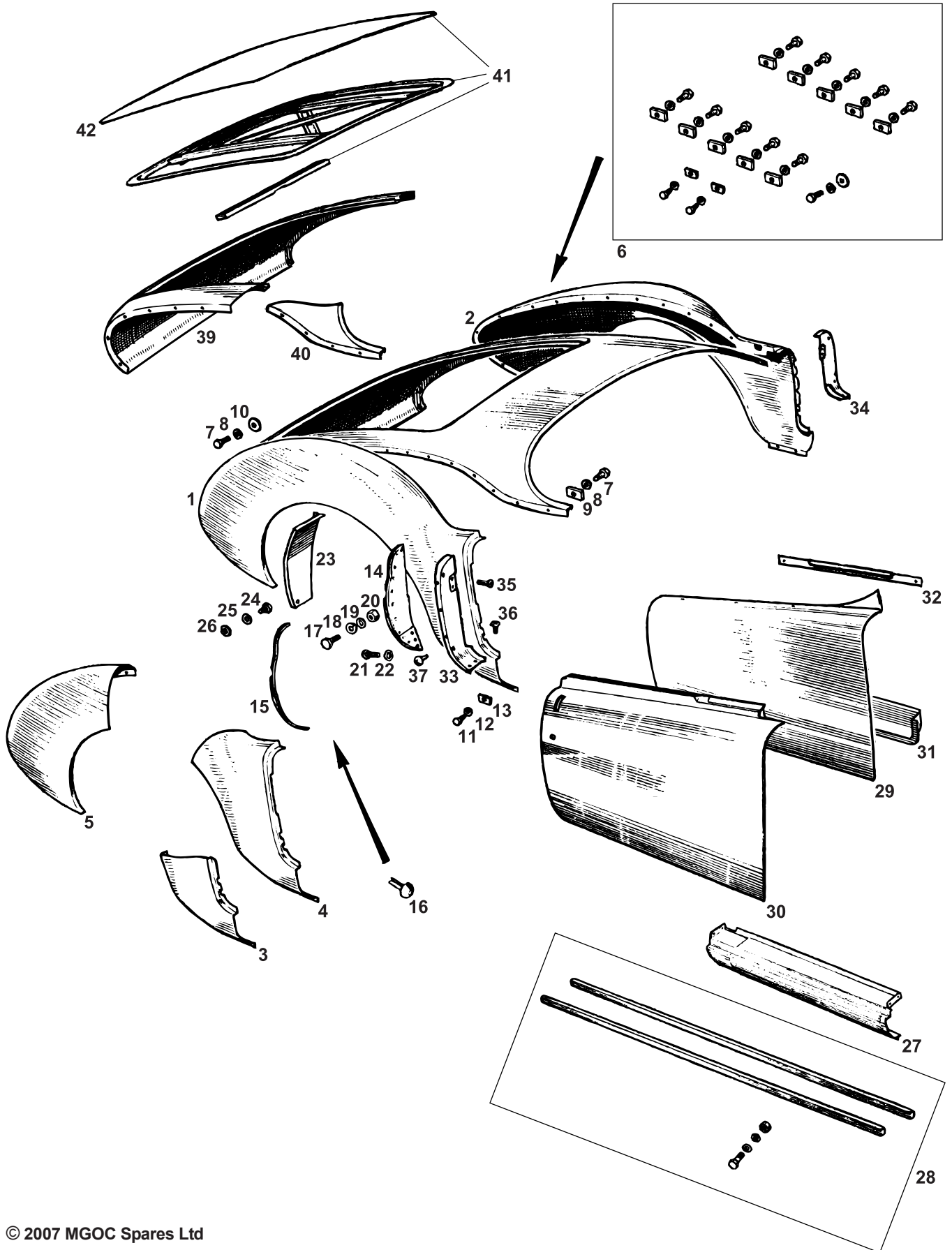
1	AFH6614	Front Wing - RH	1	
2	AFH6615	Front Wing - LH	1	
3	AFH6614/1	Front Wing Repair - Front - RH	1	
3	AFH6615/1	Front Wing Repair - Front - LH	1	
4	AFH6614/2	Front Wing Repair - Rear Lower - RH	1	
4	AFH6615/2	Front Wing Repair - Rear Lower - LH	1	
5	WFK990	Fitting Kit - Front Wing	2	
6	GHF103	Screw - Short - Wing to Shroud	22	} Included in front wing fitting kit
7	GHF332	Washer - Spring	22	
8	AFH2627	Washer - Oval - Clamps Wing to Shroud	22	
9	SH605101	Screw - Long - Wing to A Post	6	
10	GHF332	Washer - Spring	4	
11	PWZ205	Washer - Plain - Large	2	
11	GHF301	Washer - Plain	2	
12	53K126	Screw - Wing to Sill	6	
13	WL700101	Washer - Spring	6	
14	AFH2546	Washer - Oval - Clamping Wing to Sill	6	
15	AFH1702	Splash Plate - Front Wing - RH	1	
16	AFH1703	Splash Plate - Front Wing - LH	1	
15	AFH1702Z	Splash Plate - Front Wing - RH	1	} Accepts alternative push-on seal
16	AFH1703Z	Splash Plate - Front Wing - LH	1	
17	AFH1710	Seal - Front Wing Splash Plate - RH	1	} Original type rivetted seal
17	AFH1711	Seal - Front Wing Splash Plate - LH	1	
17	BHH626M	Seal - Front Wing Splash Plate	2	Alternative push-on seal; sold per metre For original type rivetted seals
18	BRP906K	Bifurcated Rivet Set - For 4 Seals	1	
19	SH604051	Screw - Splash Plate to Body	12	
20	GHF331	Washer - Spring	12	
21	PWZ204	Washer - Plain - Large	12	
22	53K126	Screw - Splash Plate to Wing	2	
23	AFH2546	Washer - Oval - Splash Plate to Wing	2	
24	WL700101	Washer - Spring	2	
25	GHF206	Nut	2	
26	AFH1520	Front Shroud Assembly	1	Roadster; requires significant modification for use on Coupe
27	AFH1520/1	Front Shroud Repair - Front	1	
28	AFH9003	Front Skirt	1	
29	AFH1896	Front Valance - Steel	1	Alternative
29	AFH1896FG	Front Valance - Fibreglass	1	
30	MBK992	Fitting Kit - Front Valance	1	
31	53K126	Screw - Front Valance to Body	14	
32	WL700101	Washer - Spring	14	
33	PWZ203	Washer - Plain - Large	8	
34	AFH2546	Washer - Oval	6	
35	AFH4880RP	Bonnet Skin	1	Later type with bulge

The early 1500 bonnet featured a smoothly curved bonnet (the bulge was created to provide engine clearance when the Twin Cam model was introduced) and is no longer available new.

Telephone: 01954 230928 Fax: 01954 231923, Buy Online: www.mgocspares.co.uk



MGA
1500, 1600
& 1600 MkII



© 2007 MGOC Spares Ltd

Telephone: 01954 230928 Fax: 01954 231923, Email: sales@mgocspares.co.uk



MGA

1500, 1600 & 1600 MkII



1	AFH7462	Rear Wing - RH	1	
2	AFH7463	Rear Wing - LH	1	
3	AFH7462/1	Rear Wing Repair - Front Lower - RH	1	
3	AFH7463/1	Rear Wing Repair - Front Lower - LH	1	
4	AFH7462/2	Rear Wing Repair - Front - RH	1	
4	AFH7463/2	Rear Wing Repair - Front - LH	1	
5	AFH7462/3	Rear Wing Repair - Rear - RH	1	
5	AFH7463/3	Rear Wing Repair - Rear - LH	1	
6	WFK991	Fitting Kit - Rear Wing	2	
7	GHF103	Screw - Wing to Shroud	22	} Included in rear wing fitting kit
8	GHF332	Washer - Spring	22	
9	AFH2627	Washer - Oval - Clamps Wing to Shroud	20	
10	PWZ205	Washer - Plain - Large	2	
11	53K126	Screw - Wing to Sill	4	
12	WL700101	Washer - Spring	4	
13	AFH2546	Washer - Oval - Clamping Wing to Sill	4	

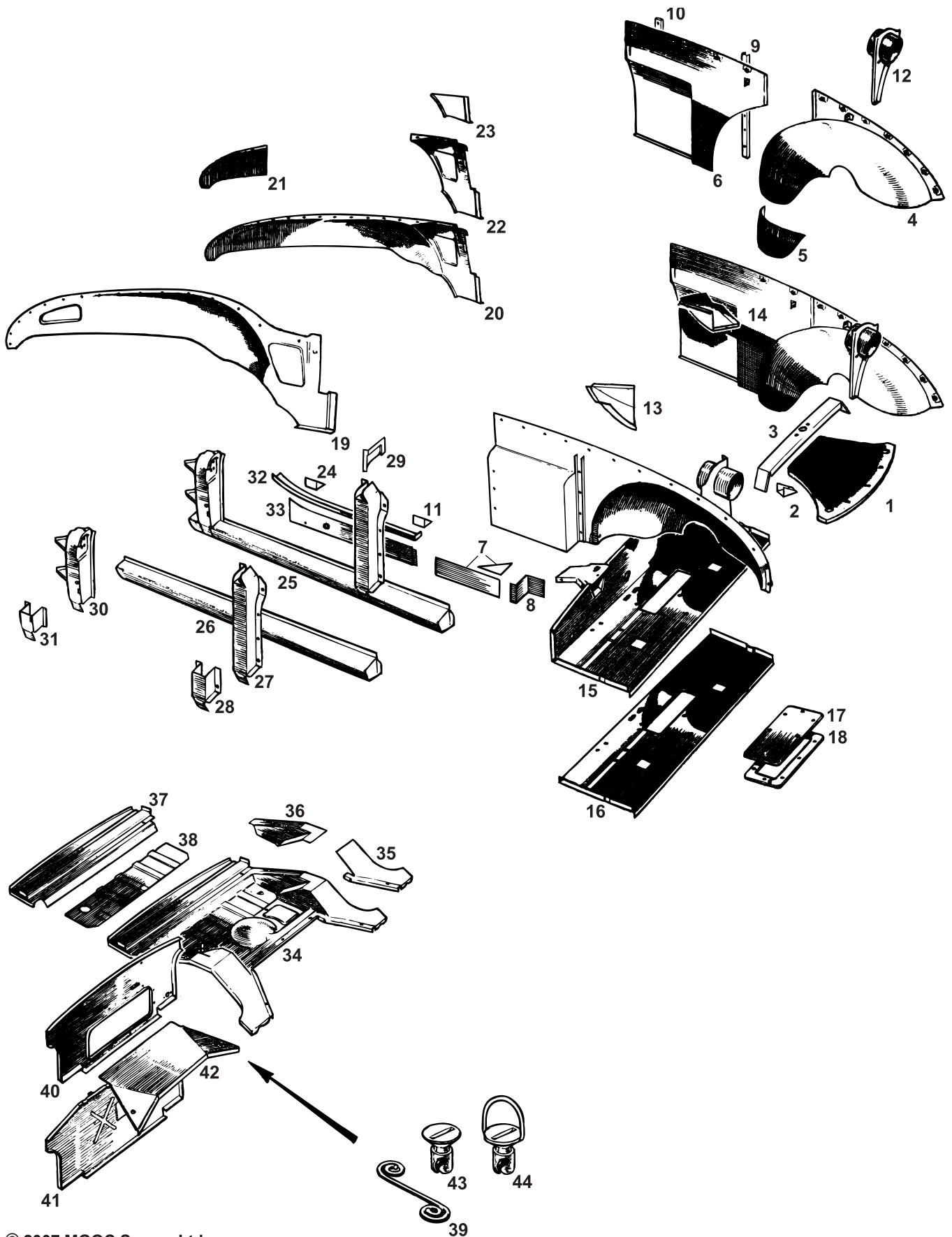
Early 1500 Roadsters were not fitted with rear wing splash shields (all later models had them fitted). They do help considerably to preserve the area of the body bounded by the rear wing, door shut face and sill; while not original on early cars, fitment is highly recommended.

14	AFH4782	Splash Plate - Rear Wing - Front - RH	1	} Accepts original type rivetted seal
14	AFH4783	Splash Plate - Rear Wing - Front - LH	1	
14	AFH4782Z	Splash Plate - Rear Wing - Front - RH	1	} Accepts alternative push-on seal
14	AFH4783Z	Splash Plate - Rear Wing - Front - LH	1	
15	AFH4784	Seal - Rear Wing Splash Plate - RH	1	} Original type rivetted seal
15	AFH4785	Seal - Rear Wing Splash Plate - LH	1	
15	BHH626M	Seal - Rear Wing Splash Plate	2	} Alternative push-on seal; sold per metre For original type rivetted seals
16	BRP906K	Bifurcated Rivet Set - Car Set	1	
17	SH604051	Screw - Splash Plate to Body	4	
18	GHF331	Washer - Spring	4	
19	PWZ204	Washer - Plain - Large	4	
20	GHF200	Nut	4	
21	AB606041	Screw - Self Tapping - Splash Plate	4	
22	GHF300	Washer - Plain	4	
23	AFH1704	Splash Plate - Rear Wing - Rear - RH	1	
23	AFH1705	Splash Plate - Rear Wing - Rear - LH	1	
24	SH604051	Screw - Splash Plate to Body	8	
25	GHF331	Washer - Spring	8	
26	PWZ204	Washer - Plain - Large	8	
27	AFH2624	Sill - Outer - RH	1	
27	AFH2625	Sill - Outer - LH	1	
28	AFH3752K	Finisher Set - Sill - Pair	1	} Set includes fixings
29	AFH1666/1	Door Skin - RH	1	} Roadster
29	AFH1667/1	Door Skin - LH	1	
30	AFH4806/1	Door Skin - RH - With Lock Piercing	1	} Coupe RHD
30	AFH4807/1	Door Skin - LH - Without Lock Piercing	1	
30	AFH4806/1L	Door Skin - RH - Without Lock Piercing	1	} Coupe LHD
30	AFH4807/1L	Door Skin - LH - With Lock Piercing	1	
31	AFH1666/2	Door Frame Repair - Lower - RH	1	} Roadster
31	AFH1667/2	Door Frame Repair - Lower - LH	1	
31	AFH4806/2	Door Frame Repair - Lower - RH	1	} Coupe
31	AFH4807/2	Door Frame Repair - Lower - LH	1	
32	AFH1899	Stiffener Bar - Door	2	
33	AFH7510	Shut Face Panel - RH	1	} Roadster
34	AFH7511	Shut Face Panel - LH	1	
33	AFH3786	Shut Face Panel - RH	1	} Coupe
34	AFH3787	Shut Face Panel - LH	1	
35	AC608041	Screw - Shut Face Top to Body	4	} Roadster
36	AD608041	Screw - Shut Face Bottom to Body	4	
37	RMZ310	Screw - Shut Face Side to Body	6/4	
38	AFH1871/5	Rear Shroud Assembly	1	} Qty decreases for Coupe Roadster; requires modification for use on Coupe
39	AFH1871/6	Rear Shroud Repair - Rear	1	
40	AFH1871/3	Rear Shroud Repair - Front - RH	1	} Roadster
40	AFH1871/4	Rear Shroud Repair - Front - LH	1	
41	AFH1577	Boot Lid Assembly	1	
42	AFH1577RP	Boot Lid Skin	1	

Telephone: 01954 230928 Fax: 01954 231923, Buy online: [\[www.mgocspares.co.uk\]](http://www.mgocspares.co.uk)



MGA
1500, 1600
& 1600 MkII



© 2007 MGOC Spares Ltd

Telephone: 01954 230928 Fax: 01954 231923, Email: sales@mgocspares.co.uk



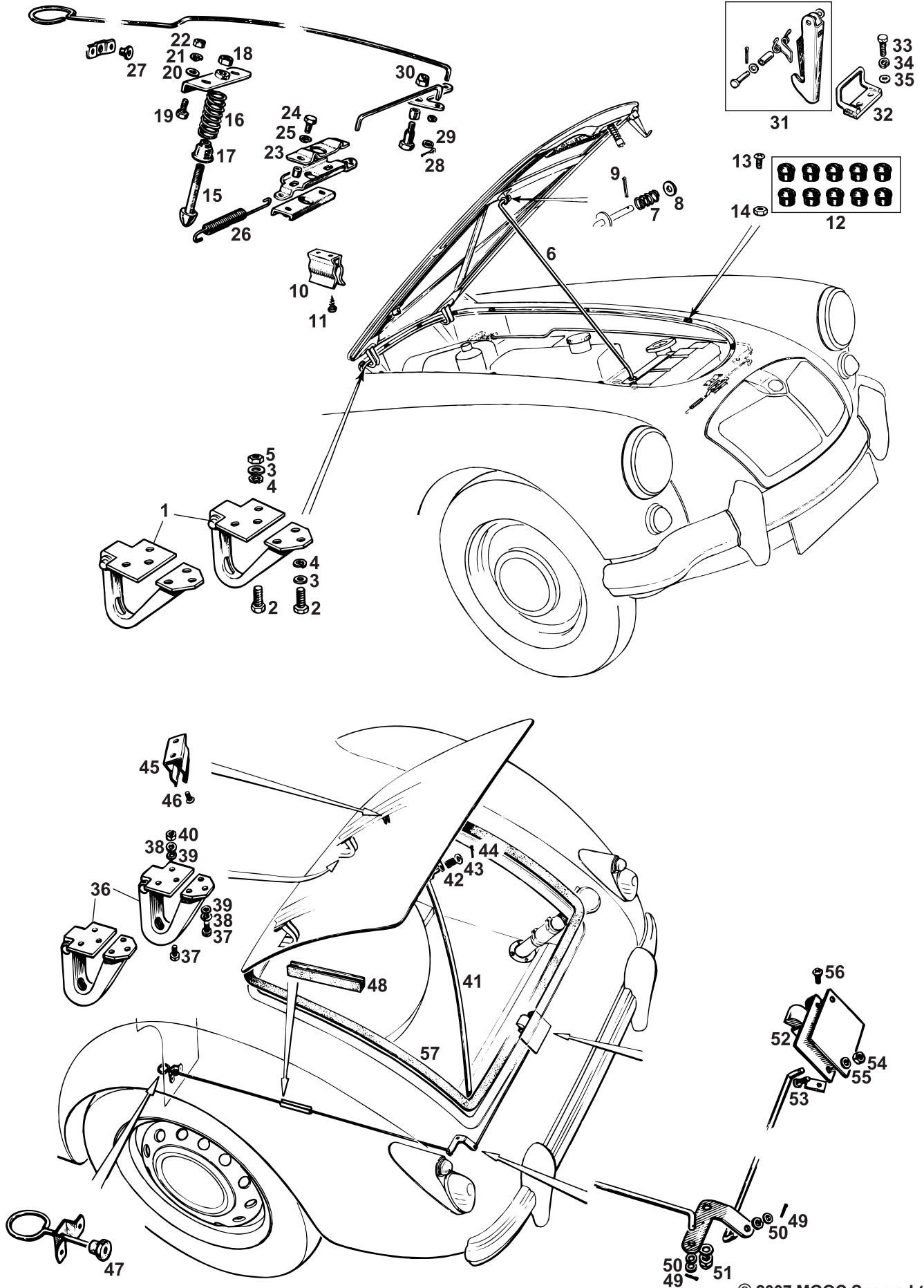
MGA
1500, 1600
& 1600 MkII



1	AFH900	Radiator Duct Assembly	1500, 1600; without oil cooler piercings
1	AFH900A	Radiator Duct Assembly	1600 MkII; with oil cooler piercings
2	AFH9001	Mounting Bracket - Radiator Duct - RH	
2	AFH9002	Mounting Bracket - Radiator Duct - LH	
3	AFH1521/1	Bonnet Locking Platform	
4	AFH4894/2	Wheel Arch Assembly - Front - RH	
4	AFH4895/2	Wheel Arch Assembly - Front - LH	
5	AFH4894/3	Reinforcement - Front Wheel Arch - RH] Included in wheel arch assembly
5	AFH4895/3	Reinforcement - Front Wheel Arch - LH	
6	AFH4894/1	Closing Panel - Front Wheel Arch - RH	
6	AFH4895/1	Closing Panel - Front Wheel Arch - LH	
7	AFH4894/8	Wheel Arch Brace Repair - RH	
7	AFH4895/8	Wheel Arch Brace Repair - LH	
8	AFH4894/9	Sill to Wheel Arch Repair - RH	
8	AFH4895/9	Sill to Wheel Arch Repair - LH	
9	AFH4894/6	Reinforcement - Inner Wing] Roadster
10	AFH4894/4	Mounting - Windscreen Pillar	
10	AFH4895/4	Mounting - Windscreen Pillar	
11	AFH4894/5	Mounting - Body to Chassis - Front	
12	AFH4894/7	Bracket - Air Duct and Radiator - RH	
12	AFH4895/7	Bracket - Air Duct and Radiator - LH	
13	AFH1502	Air Duct Box - RH	
14	AFH1503	Air Duct Box - LH	
15	AFH1524	Bulkhead Assembly	
16	AFH1524RP	Bulkhead Repair	
17	AHH5252	Blanking Plate - Heater Aperture	If required
18	AHH5253	Seal - Blanking Plate	
19	AFH1754/1	Inner Wing Assembly - Rear - RH] Roadster
20	AFH1754/2	Inner Wing Assembly - Rear - LH	
19	AFH6650/3	Inner Wing Assembly - Rear - RH] Coupe
20	AFH6650/4	Inner Wing Assembly - Rear - LH	
21	AFH1754/5	Inner Wing Repair - Rear - RH	
21	AFH1754/6	Inner Wing Repair - Rear - LH	
22	AFH1754/3	Inner Wing Repair - Front - RH] Roadster
22	AFH1754/4	Inner Wing Repair - Front - LH	
22	AFH6650/1	Inner Wing Repair - Front - RH] Coupe
22	AFH6650/2	Inner Wing Repair - Front - LH	
23	AFH17543RP	Inner Wing Repair - Front Lower - RH	
23	AFH17544RP	Inner Wing Repair - Front Lower - LH	
24	AFH1754/7	Mounting - Body to Chassis - Rear - RH	
24	AFH1754/8	Mounting - Body to Chassis - Rear - LH	
25	AFH1620	Inner Sill and Door Post Assembly - RH] Roadster
25	AFH1621	Inner Sill and Door Post Assembly - LH	
25	AFH3882	Inner Sill and Door Post Assembly - RH] Coupe
25	AFH3883	Inner Sill and Door Post Assembly - LH	
26	AFH1620/2	Inner Sill Assembly - RH	
26	AFH1621/2	Inner Sill Assembly - LH	
27	AFH1620/1	A Post Assembly - RH	
27	AFH1621/1	A Post Assembly - LH	
28	AFH16201RP	A Post Repair - Lower - RH	
28	AFH16211RP	A Post Repair - Lower - LH	
29	AFH1624	Upper Extension - A Post - RH] Not included in inner sill and door post assembly
29	AFH1625	Upper Extension - A Post - LH	
30	AFH1620/3	B Post Assembly - RH] Roadster
30	AFH1621/3	B Post Assembly - RH	
30	AFH3882/2	B Post Assembly - RH] Coupe
30	AFH3883/2	B Post Assembly - RH	
31	AFH16203RP	B Post Repair - Lower - RH	
31	AFH16213RP	B Post Repair - Lower - LH	
32	AFH1658	Upper Plate - Inner Sill - RH	
32	AFH1659	Upper Plate - Inner Sill - LH	
33	AFH1656	Closing Panel - Inner Sill - RH	
33	AFH1657	Closing Panel - Inner Sill - LH	
34	AFH1874	Boot Floor Assembly	
35	AFH1874/1	Boot Floor Repair - Front Side - RH	
35	AFH1874/2	Boot Floor Repair - Front Side - LH	
36	AFH1874/3	Boot Floor Repair - Centre Side - RH	
36	AFH1874/4	Boot Floor Repair - Centre Side - LH	
37	AFH1874/7	Boot Floor Repair - Rear	
38	AFH1874/5	Boot Floor Repair - Centre	
39	7H9828	Spring - Dzus - Battery Cover Retaining	5
40	AFH1585	Rear Bulkhead Panel	1500, 1600 and 1600 MkII Roadster; 1500 Coupe
41	AFH6627	Rear Bulkhead Panel	1600 and 1600 MkII Coupe
42	AFH1663	Battery Cover Panel	1500, 1600
42	AFH6866	Battery Cover Panel	1600 MkII
43	7H9827	Fastener - Dzus - Battery Cover Retaining	Original type
44	BHA4537	Fastener - Dzus - Battery Cover Retaining	Alternative type



MGA
1500, 1600
& 1600 MkII



© 2007 MGOC Spares Ltd

Telephone: 01954 230928 Fax: 01954 231923, Email: sales@mgocspares.co.uk



MGA
1500, 1600
& 1600 MkII

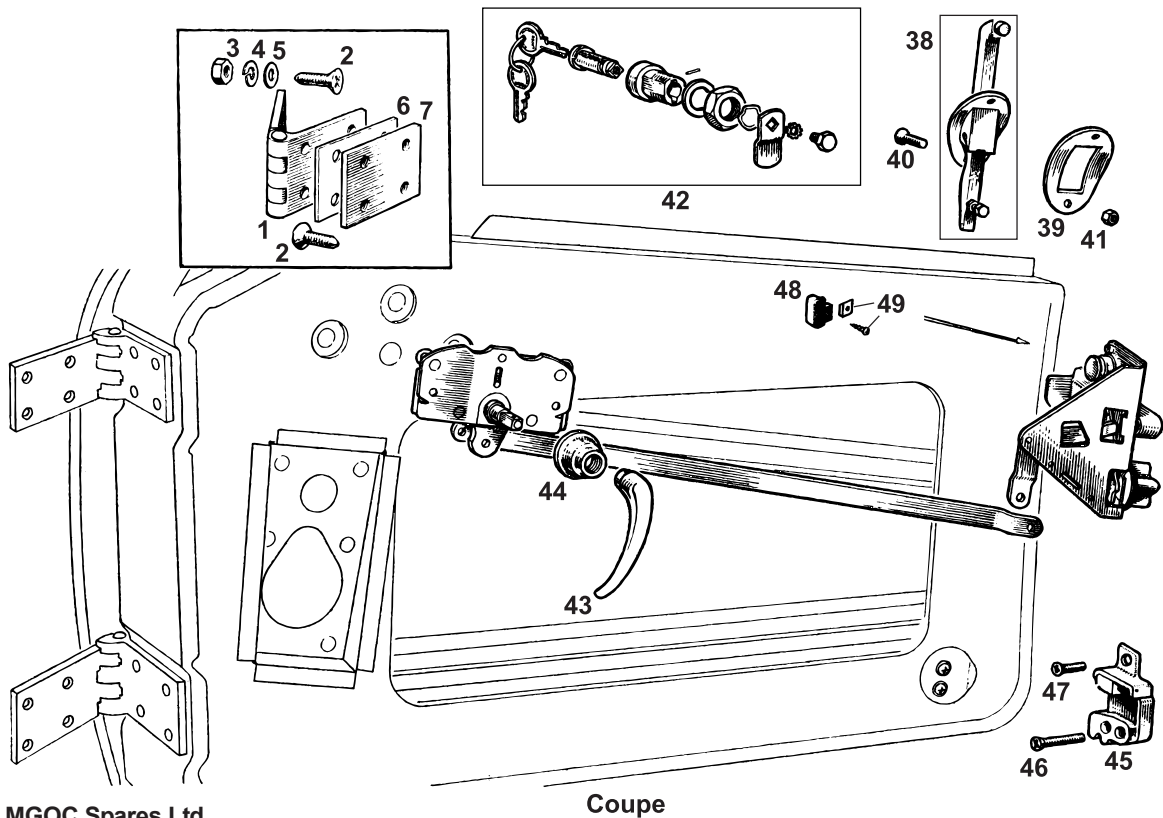
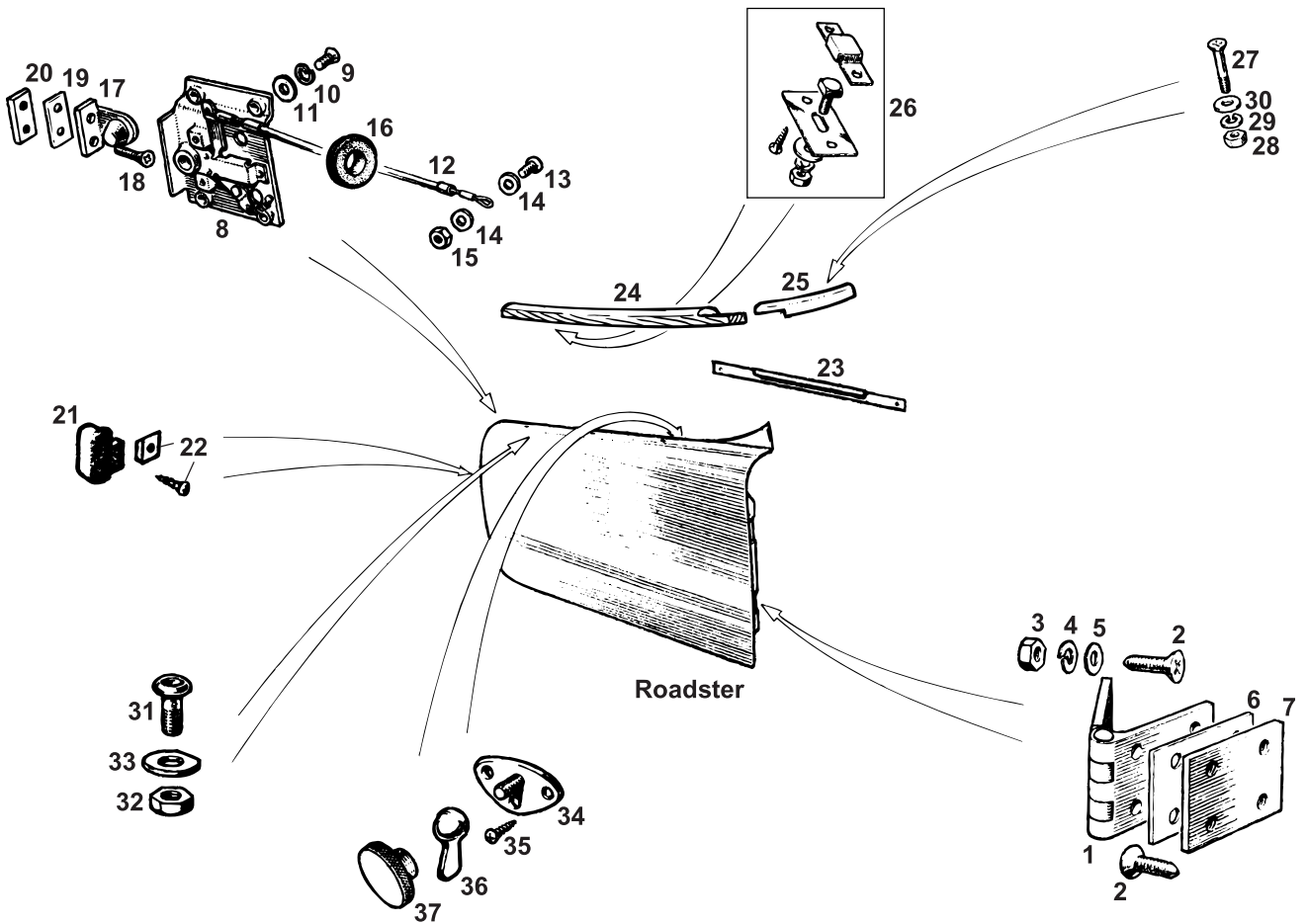


1	AFH1514/5	Bonnet Hinges - Pair	1	
2	53K126	Screw - Hinge Securing	12	
3	WL700101	Washer - Spring	12	
4	PWZ203	Washer - Plain - Large	12	
5	GHF206	Nut	2	
6	AFH1755	Prop Rod - Bonnet	1	Supplied with spring and washer
7	AAA2398	Spring - Prop Rod	1	
8	GHF301	Washer - Plain - Prop Rod	1	
9	GHF501	Split Pin	1	
10	AHH5460	Clip - Prop Rod Stay	1	
11	AB606031	Screw - Clip to Bonnet	2	
12	AAA4598K	Bonnet Buffer Set	1	Set of 10 buffers with washers
13	PMZ208	Screw - Buffer to body	10	
14	CNZ102	Nut	10	
15	14A6586	Pin - Bonnet Catch	1	
16	FPQ10001	Spring - Bonnet Catch Pin	1	
17	ADA458	Cup - Spring	1	
18	NT606041	Nut - Thin - Locking Catch Pin	1	
19	SH604051	Screw - Pin Bracket to Bonnet	2	
20	GHF300	Washer - Plain	2	
21	GHF331	Washer - Spring	2	
22	GHF200	Nut	2	
23	AAM1223	Guide Plate - Bonnet Catch Pin	1	
24	GHF101	Screw - Catch and Guide Plate Securing	2	
25	GHF331	Washer - Spring	2	
26	ADA466	Spring - Catch Return	1	
27	AAA1881	Ferrule - Bonnet Catch Control Rod	1	
28	GHF500	Split Pin - Bonnet Catch Control Rods	3	
29	PWZ203	Washer - Plain - Large	3	
30	GHF220	Nut - Nyloc - Rod Bellcrank to Pivot	1	
31	14A366	Safety Catch Assembly	1	
32	AFH1767	Bracket - Safety Catch	1	
33	53K126	Screw - Bracket to Body	2	
34	WL700101	Washer - Spring	2	
35	GHF306	Washer - Plain	2	
36	AFH1514/5	Boot Hinges - Pair	1	
37	53K126	Screw - Hinge Securing	12	
38	WL700101	Washer - Spring	12	
39	PWZ203	Washer - Plain - Large	12	
40	GHF206	Nut	2	
41	AFH1756	Prop Rod - Boot Lid	1	
42	AAA2398	Spring - Prop Rod	1	
43	GHF301	Washer - Plain - Prop Rod	1	
44	GHF501	Split Pin	1	
45	AAA1524	Clip - Prop Rod Stay	1	
46	AB606031	Screw - Clip to Boot	2	
47	AAA1881	Ferrule - Boot Lock Control Rod	1	
48	AFH1789	Channel - Boot Lock Control Rod	1	
49	GHF500	Split Pin - Boot Lock Control Rods	3	
50	PWZ203	Washer - Plain - Large	3	
51	GHF221	Nut - Nyloc - Rod Bellcrank to Pivot	1	
52	AFH1519	Boot Lock Assembly	1	
53	PMZ308	Screw - Lock to Body	2	
54	GHF206	Nut	2	
55	WL700101	Washer - Spring	2	
56	AB606031	Screw - Lock Securing	1	
57	AFH1753	Seal - Boot Lid	1	

Telephone: 01954 230928 Fax: 01954 231923, Buy Online: www.mgocspares.co.uk



MGA
1500, 1600
& 1600 MkII



© 2007 MGOC Spares Ltd

Telephone: 01954 230928 Fax: 01954 231923, Email: sales@mgocspares.co.uk



MGA
1500, 1600
& 1600 MkII



1	AFH5832	Door Hinge Assembly	4		
2	SF604061	Screw - Door Hinge	32		
3	GHF200	Nut	16		
4	GHF331	Washer - Spring	16		
5	PWZ204	Washer - Plain - Large	16		
6	AFH5827	Shim - Door Hinge	A/R		
7	AFH1464	Tapped Plate - Door Hinge	4		
8	AFH1682	Door Latch - RH	1	Roadster	
8	AFH1683	Door Latch - LH	1		
9	PMZ308	Screw - Latch to Door	8		
10	WL700101	Washer - Spring	8		
11	PWZ203	Washer - Plain - Large	8		
12	7H9958	Cable - Door Latch Operating	2		
13	PMZ308	Screw - Cable to Door	2		
14	PWZ203	Washer - Plain - Large	4		
15	GHF206	Nut	2		
16	RFN110	Grommet - Cable	2		
17	AFH1684	Striker - Door Latch	2		
18	SF604061	Screw - Striker to Body	4		
19	14A4673	Shim - Striker	A/R		
20	HZA368	Tapped Plate - Striker	2		
21	AHH6273	Buffer - Door	4		
22	AHH6273K	Screw and Tapped Plate Kit - Buffer	4		
23	AFH1899	Stiffener - Door	2		
24	AFH2556	Door Capping - Wood - RH	1		
24	AFH2557	Door Capping - Wood - LH	1		
25	AFH2556X	Door Capping Front - Aluminium - RH	1		
25	AFH2557X	Door Capping Front - Aluminium - LH	1		
Wood and aluminium door and cockpit cappings are supplied bare. For trimming materials and colours, please see the Trim Panels pages.					
26	BFK110	Fitting Kit - Wood Cappings	1		Roadster
Note that the BFK110 fitting kit includes sufficient caged screws, retainer plates, nuts washers and self tapping screws to secure wood cappings to both doors and the rear cockpit edge.					
27	CMZ320	Screw - Aluminium Capping to Door	2		Roadster
28	GHF200	Nut	2		
29	GHF331	Washer - Spring	2		
30	PWZ203	Washer - Plain - Large	2		
31	AFH1744	Socket - Sidescreen Fixing	2		
32	NT608041	Nut	2		
33	AFH2579	Washer - Special	2		
34	AAA5154	Stud Plate - Sidescreen Fixing	2		
35	AD608063	Screw - Chrome - Stud Plate to Door	6		
36	MB19331	Nut - Wing - Sidescreen Fixing	2		
37	AFH6620	Nut - Thumb - Sidescreen Fixing	2	1500 Roadster 1600 and 1600 MkII Roadster	
38	AFH3796	Door Handle - Exterior	2	Coupe	
39	AFH4513	Gasket - Door Handle	2		
40	RMP308	Screw - Handle to Door	4		
41	GHF220	Nut - Nyloc	4		
42	AFH3893	Door Lock - With 2 Keys - Driver's Side	1		
43	ADH5482	Door Handle - Interior	2		
44	ADB709	Escutcheon - Door Handle	2		
45	AFH3896	Striker - Door Latch - RH	1		
45	AFH3897	Striker - Door Latch - LH	1		
46	CMZ420	Screw - Striker to Body - Long	4		
47	SF604061	Screw - Striker to Body - Short	2		
48	AHH6273	Buffer - Door	2		
49	AHH6273K	Screw and Tapped Plate Kit - Buffer	2		

Telephone: 01954 230928 Fax: 01954 231923, Buy online: www.mgocspares.co.uk



MGA
1500, 1600
& 1600 MkII

BADGES & BRIGHTWORK:

BADGES/FINISHERS

SUPERSPORTS

BUMPERS

NUMBER PLATE BACKS

RADIATOR GRILLES

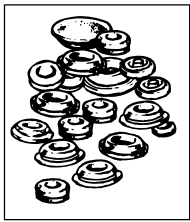
MIRRORS



MGOC Spares & Accessories, Octagon House, Swavesey, Cambridge CB24 4QZ
Tel: 01954 230928 and 01954 231318 Email: sales@mgojspares.co.uk



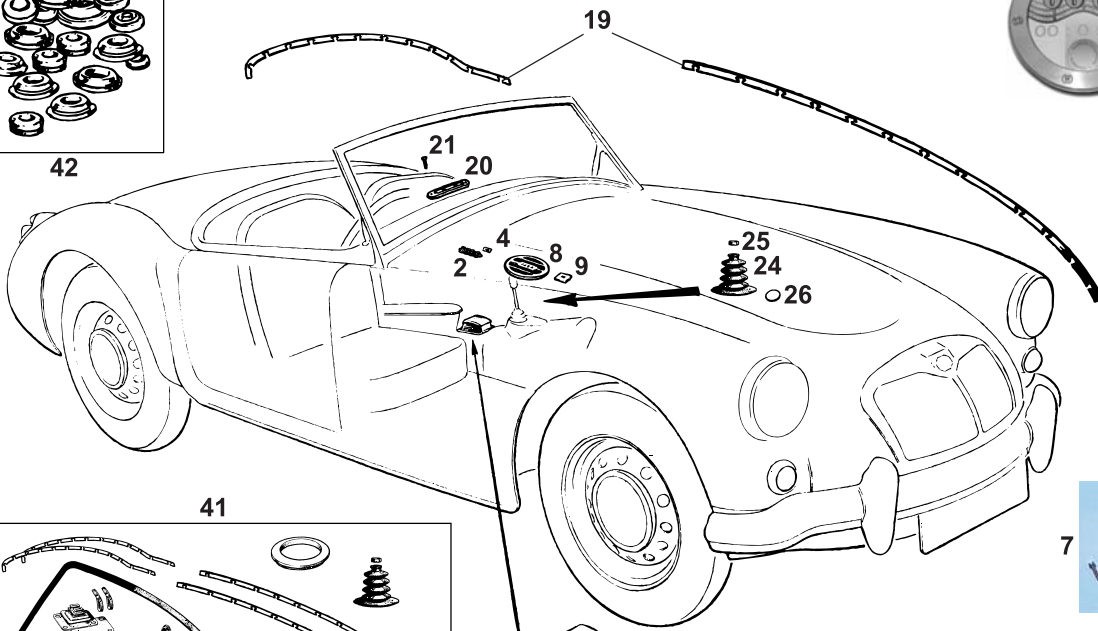
MGA
1500, 1600
& 1600 MkII



42



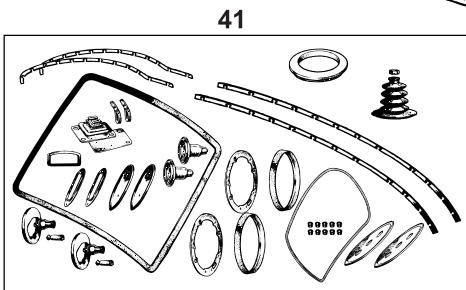
14



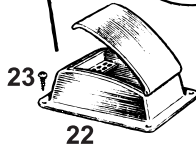
10



7



41



23

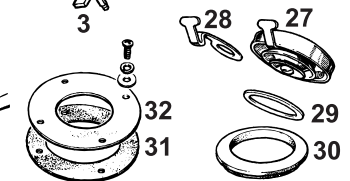
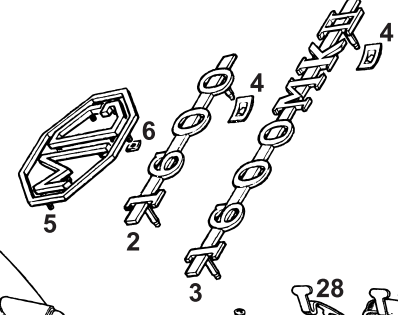
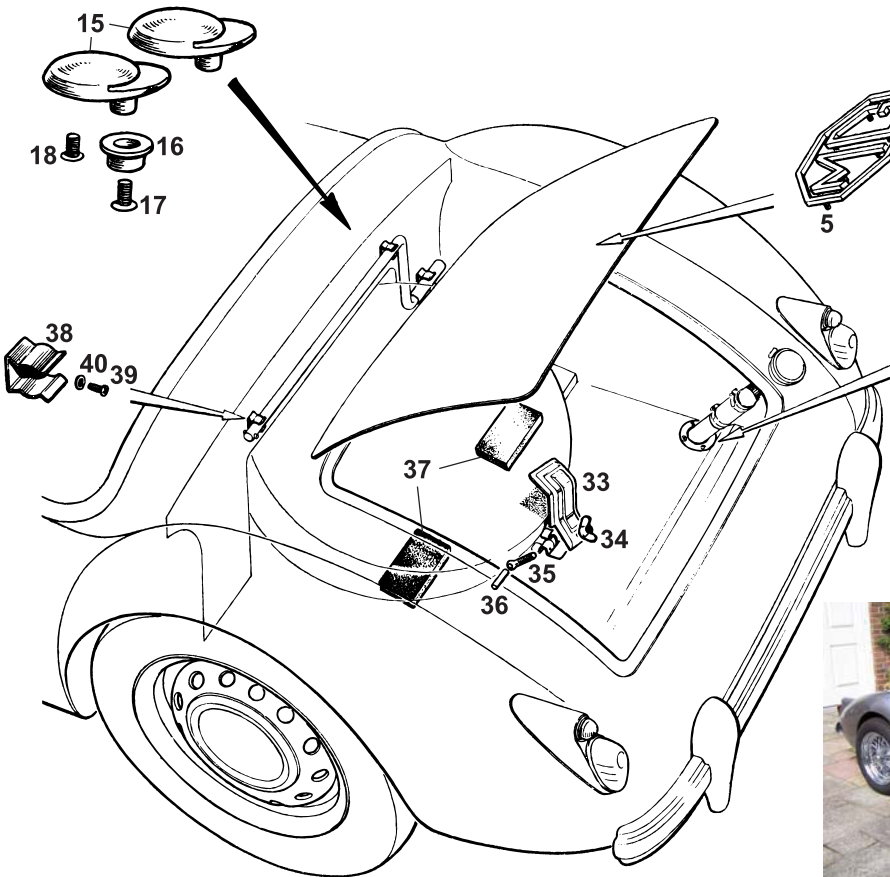
22



11

13

12



1



© 2007 MGOC Spares Ltd

Telephone: 01954 230928 Fax: 01954 231923, Email: sales@mgocspares.co.uk



MGA
1500, 1600
& 1600 MkII



1 - Supersports Conversion Project 1 Please contact MGOC Spares for details
The Supersports is a conversion package available either in complete or part form to suit your particular MGA project. All mechanical parts and body panels, in either steel or aluminium, are available. All mechanical modifications are removable in order that original components may be refitted to restore originality if required.

2	AHH5914	Badge - Front Deck and Boot Lid 3	'1600'
3	AHH6083	Badge - Front Deck and Boot Lid 3	'1600 MkII'
4	GHF700	Nut - Spire - Badge Fixing A/R	
5	AHH5261C	Badge Set - 'MG' - Boot Lid 1	
6	PFS103	Nut - Spire - Badge Fixing 13	
7	K013	Badges - Pair - Union Jack A/R	

These enamel and chrome 5 x 3cm badges, slightly contoured for body panel fitting, are supplied with mounting nuts and screws.

8	AHH5294	Grille - Air Vent - 'MGA' 2	
9	PFS103	Nut - Spire - Grille Fixing 8	
10	K017	Chrome Stoneguards - Pair A/R	Chromium wire stoneguards to protect your MG's headlamps
11	K024	Badge Bar - Chrome 1	
12	K033	Badge Clip - Chrome A/R	
13	K034	Badge Clip - Stainless Steel A/R	
14	K715	Holder - Tax Disc - With MG Logo 1	
14	K716	Holder - Tax Disc - Without Logo 1	
15	V549	Sockets - Pair - Rear Hood Bar Locating 1	Also known as chrome 'teardrops'
16	AAA5130	Washer - Cup 2	
17	PMZ306	Screw - Socket to Body - Long 2	
18	PMZ304	Screw - Socket to Body - Short 2	
19	AFH1692C	Wing Piping - Car Set - Silver 1	Requires notching round wing fixing screws
20	AAA3496	Nacelle - Demister 2	
21	AD608043	Screw - Chrome - Nacelle to Body 4	
22	AHH7061	Ashtray 1	
23	AB606043	Screw - Ashtray to Body 4	
24	14A1468	Gaiter - Gear Lever 1	
25	AHH5388	Ring - Chrome - Gaiter 1	
26	ACA5300	Plug - Gearbox Cover 1	
27	ACH5781	Petrol Cap 1	Original type with lever
28	97H474	Lever - Petrol Cap 1	
29	ACH5850	Seal - Cork - Petrol Cap 1	
30	ACH5780	Grommet - Rubber - Filler Neck to Body 1	
31	AHH5260	Seal - Filler Neck Pipe to Boot Floor 1	
32	AHH5259	Plate - Clamping Seal 1	
33	H7336	Clamp - Spare Wheel 1	
34	AHH5351	Wing Nut - Clamp 1	
35	AHH5349	Bolt - Clamp 1	
36	AHH5350	Pin - Bolt Pivot 1	
37	AHH5459K	Felt Packing - Pair - Spare Wheel 1	
38	ADB4825	Clip - Starting Handle Stowage 3	
39	PMZ305	Screw - Clip to Body 3	
40	WL700101	Washer - Spring 3	

For those restoring an MGA bodyshell, body rubber sets and grommet sets make an easy, economical way of purchasing all the rubber parts and seals required when refitting the body:

Body rubber sets include headlamp rim seals and mounting gaskets, front lamp lens seals and mounting gaskets, number plate lamp gasket, rear lamp lens seals and mounting pads, lamp bulbholder boots, bonnet buffers, grille piping, wing piping, bumper mounting grommets, door buffers, pedal box seal, pedal pads, gear lever gaiter, fuel tank filler neck ferrule and boot seal. Additionally Roadster sets include a windscreen to body seal and windscreen pillar grommets, while Coupe sets include front and rear screen seals and quarterlight seals.

41	BRS2001X	Body Rubber Set 1	1500 Roadster
41	BRS2002X	Body Rubber Set 1	1500 Coupe
41	BRS2003X	Body Rubber Set 1	1600 Roadster
41	BRS2004X	Body Rubber Set 1	1600 Coupe
41	BRS2005X	Body Rubber Set 1	1600 MkII Roadster
41	BRS2006X	Body Rubber Set 1	1600 MkII Coupe

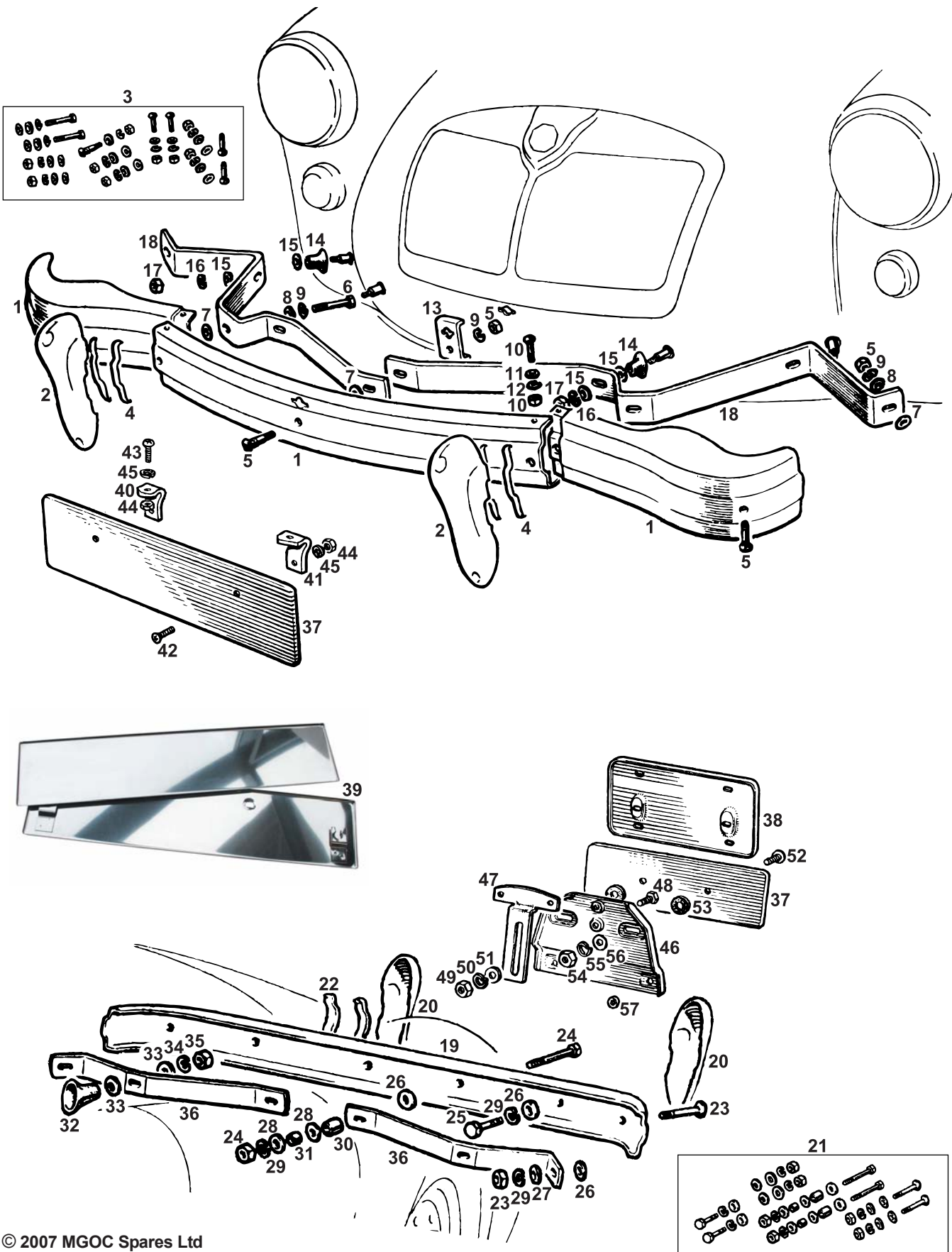
The heater shelf and bulkhead grommet set includes all the grommets required to seal wiring, control cables, capillary tube etc. passing through the bulkhead. The wiring grommet set caters for wiring around the car, other than through the front bulkhead.

42	GKS2002X	Grommet Set - Heater Shelf and Bulkhead 1
42	GKS2003X	Grommet Set - Wiring - Around Body 1

Telephone: 01954 230928 Fax: 01954 231923, Buy online: www.mgocspares.co.uk



MGA
1500, 1600
& 1600 MkII



© 2007 MGOC Spares Ltd

Telephone: 01954 230928 Fax: 01954 231923, Email: sales@mgocspares.co.uk



MGA
1500, 1600
& 1600 MkII



- 1 AHH5474C Front Bumper Assembly - 3 Piece Set 1
- 2 AHH5478 Override - Front Bumper 2
- 3 BFK968 Fitting Kit - Front Bumper 1

The fitting kit includes all necessary fixings to assemble and fit the front bumper to the car.

- 4 37H9871M Strip - Packing - Override 4
- 5 24G625 Bumper Bolt - Chrome - With Nut 3 Front bumper to spring bar
- 6 BH606201 Bolt - Override to Bumper and Spring Bar . 2
- 7 AHH5494 Washer - Special - Bumper to Spring Bar . 5
- 8 GHF302 Washer - Plain 4
- 9 GHF333 Washer - Spring 5
- 10 1G9840 Bumper Bolt - Chrome - With Nut 2 Front bumper side sections to centre
- 11 AHH5492 Washer - Special - Bumper to Bumper . . . 2
- 12 GHF332 Washer - Spring 2
- 13 AHH5477 Bracket - Starting Handle Guide 1
- 14 AAA1645 Grommet - Bumper Mounting 4
- 15 PWZ208 Washer - Plain - Large 8
- 16 GHF335 Washer - Spring 4
- 17 GHF204 Nut - Bumper to Chassis Brackets 4
- 18 AHH5476 Spring Bar - Front Bumper 2
- 19 AHH5481 Rear Bumper 1
- 20 AHH5478 Override - Rear Bumper 2
- 21 BFK970 Fitting Kit - Rear Bumper 1

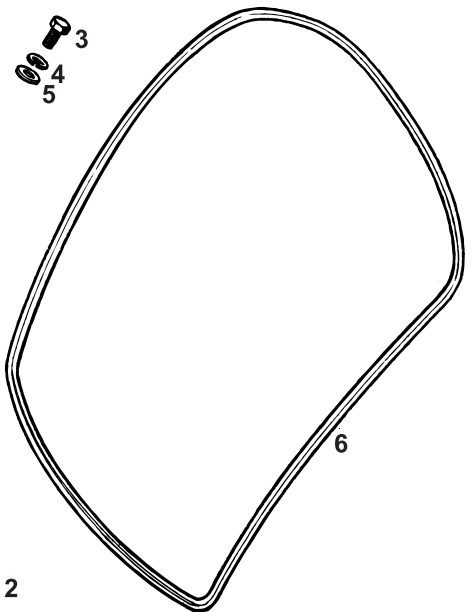
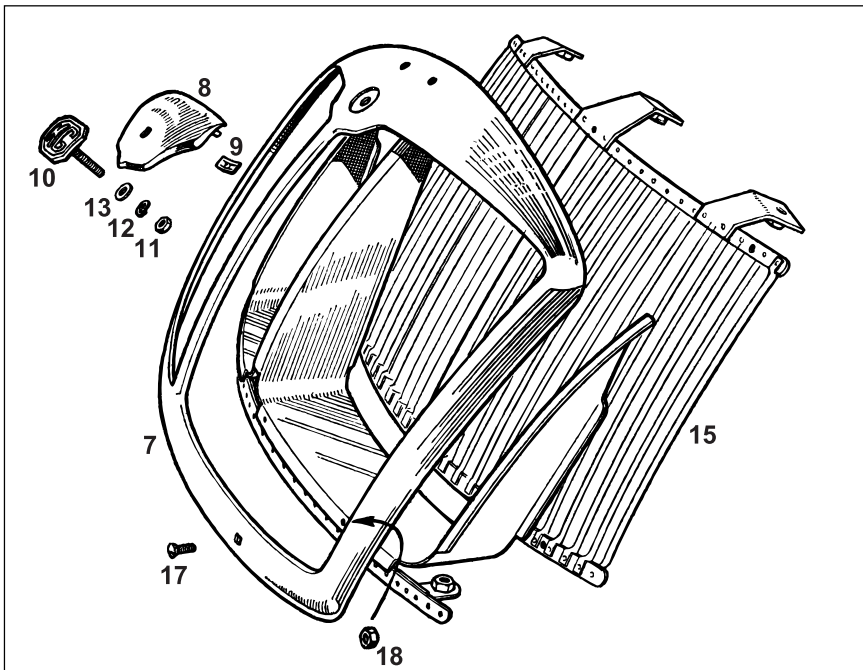
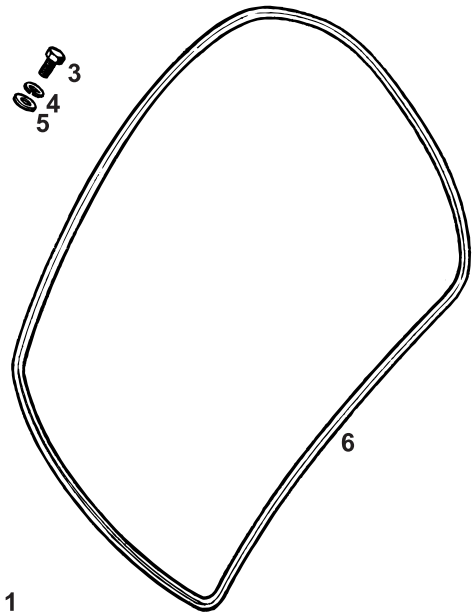
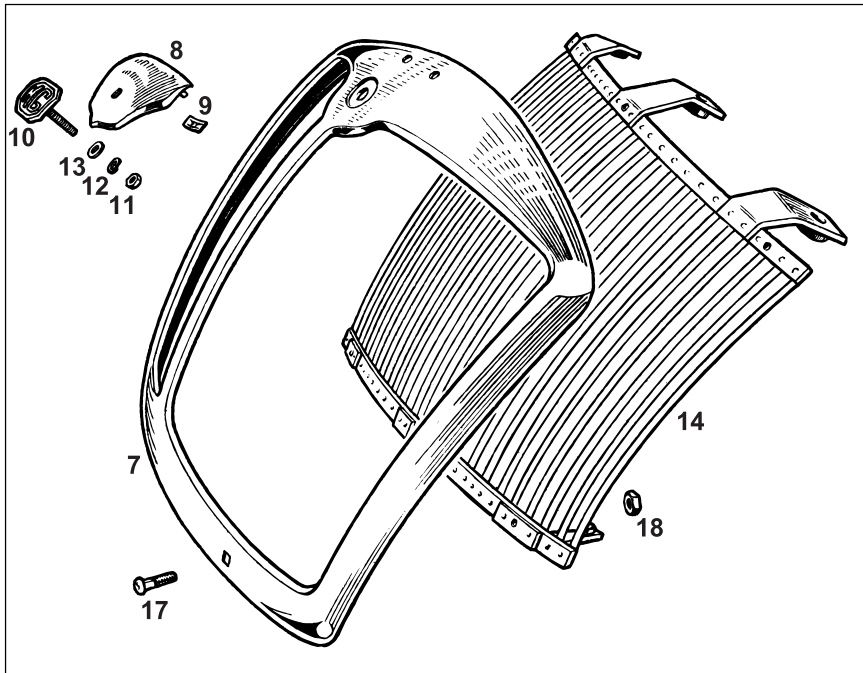
The fitting kit includes all necessary fixings to assemble and fit the rear bumper to the car

- 22 37H9871M Strip - Packing - Override 4
- 23 24G625 Bumper Bolt - Chrome - With Nut 2 Rear bumper to spring bar, outer positions
- 24 AHH5485 Bumper Bolt - Chrome - With Nut 2 Rear bumper to spring bar, inner positions
- 25 BH606161 Bolt - Override to Bumper and Spring Bar . 2
- 26 AHH5494 Washer - Special - Bumper to Spring Bar . 6
- 27 GHF302 Washer - Plain 2
- 28 PWZ206 Washer - Plain - Large 4
- 29 GHF333 Washer - Spring 6
- 30 AHH5483 Distance Tube - Large 2
- 31 AHH5484 Distance Tube - Small 2
- 32 AAA1645 Grommet - Bumper Mounting 2
- 33 PWZ208 Washer - Plain - Large 4
- 34 GHF335 Washer - Spring 2
- 35 GHF204 Nut - Bumper to Chassis Brackets 2
- 36 AHH5482 Spring Bar - Rear Bumper 2
- 37 BHH1524 Number Plate Back - Black 2/1 For front and rear number plates; front only for USA spec.
- 38 AHA5211 Number Plate Back - Black 1 For USA spec. rear number plate
- 39 K171 on Number Plate Backs - Pair 1 Corrosion resistant stainless steel alternatives
- 40 AHH5161 Bracket - Front Number Plate Back - RH . 1
- 41 AHH5162 Bracket - Front Number Plate Back - LH . 1
- 42 SE604051 Screw - Number Plate Back to Bracket . . 2
- 43 PMZ408 Screw - Bracket to Front Bumper 2
- 44 GHF200 Nut 4
- 45 GHF331 Washer - Spring 4
- 46 AHH5151 Bracket - Rear Number Plate Back 1
- 47 AAA2179 Bracket - Rear Number Plate Lamp 1
- 48 SH605061 Screw - Bracket to Bracket 2
- 49 NT605041 Nut - Thin 2
- 50 GHF332 Washer - Spring 2
- 51 GHF301 Washer - Plain 2
- 52 PMZ410 Screw - Number Plate Back to Bracket . . 2
- 53 AHH5712 Washer - Fibre 2
- 54 GHF200 Nut 2
- 55 GHF331 Washer - Spring 2
- 56 GHF300 Washer - Plain 2
- 57 AAA5023 Washer - Rubber 4

Telephone: 01954 230928 Fax: 01954 231923, Buy online: www.mgocspares.co.uk



MGA
1500, 1600
& 1600 MkII



© 2007 MGOC Spares Ltd

16

Telephone: 01954 230928 Fax: 01954 231923, Email: sales@mgocspares.co.uk



MGA
1500, 1600
& 1600 MkII



1	ARH52	Grille Assembly - Radiator	1	1500, 1600
2	ARH154	Grille Assembly - Radiator	1	1600 MkII
3	SH604041	Screw - Grille to Body	6	
4	GHF331	Washer - Spring	6	
5	PWZ204	Washer - Plain - Large	6	
6	AHH5179	Piping - Grille to Body - Silver	1	
7	ARH901	Shell - Radiator Grille	1	
8	ARH902	Plinth - Grille Badge	1	
9	PFS106	Nut - Spire - Plinth to Grille	2	
10	ARH900	Badge - Radiator Grille	1	
11	GHF206	Nut - Badge to Plinth and Grille	1	
12	WL700101	Washer - Spring	1	
13	PWZ203	Washer - Plain - Large	1	
14	ARH883	Grille	1	1500, 1600
15	ARH1700	Grille	1	1600 MkII
16	K615	Grille Mesh - MG Supersports	1	Alternative
Woven stainless steel wire mesh grille for increased airflow and sporty appearance.				
17	ARH899	Bolt - Chrome - Shell to Grille	2	
18	GHF206	Nut	4	

Telephone: 01954 230928 Fax: 01954 231923, Buy online: www.mgocspares.co.uk



MGA
1500, 1600
& 1600 MkII



© 2007 MGOC Spares Ltd

Telephone: 01954 230928 Fax: 01954 231923, Email: sales@mgocspares.co.uk



MGA
1500, 1600
& 1600 MkII



1	AHH5198	Interior Mirror - Chrome Finish1
2	K072	Interior Mirror - Chrome Finish1
3	RMP310	Screw - Mirror to Scuttle2
4	GHF206	Nut2
5	K073	Overtaking Mirror - Oval1
6	WM1904	Wing Mirror - Round Head - RH1
6	WM1906	Wing Mirror - Round Head - RH1
7	WM1905	Wing Mirror - Round Head - LH1
7	WM1907	Wing Mirror - Round Head - LH1
8	K062	Wing Mirror - Oval Head A/R
9	K063	Wing Mirror - Round Head A/R

Original style
Alternative

Ideally suited to MGA. Mounts to windscreen frame
Lucas type; with convex glass
Lucas type; with flat glass
Lucas type; with convex glass
Lucas type; with flat glass

Telephone: 01954 230928 Fax: 01954 231923, Buy Online: www.mgocspares.co.uk



MGA
1500, 1600
& 1600 MkII

GLASS & GLAZING:

ROADSTER WINDSCREEN

COUPE WINDSCREEN

COUPE REAR WINDOW

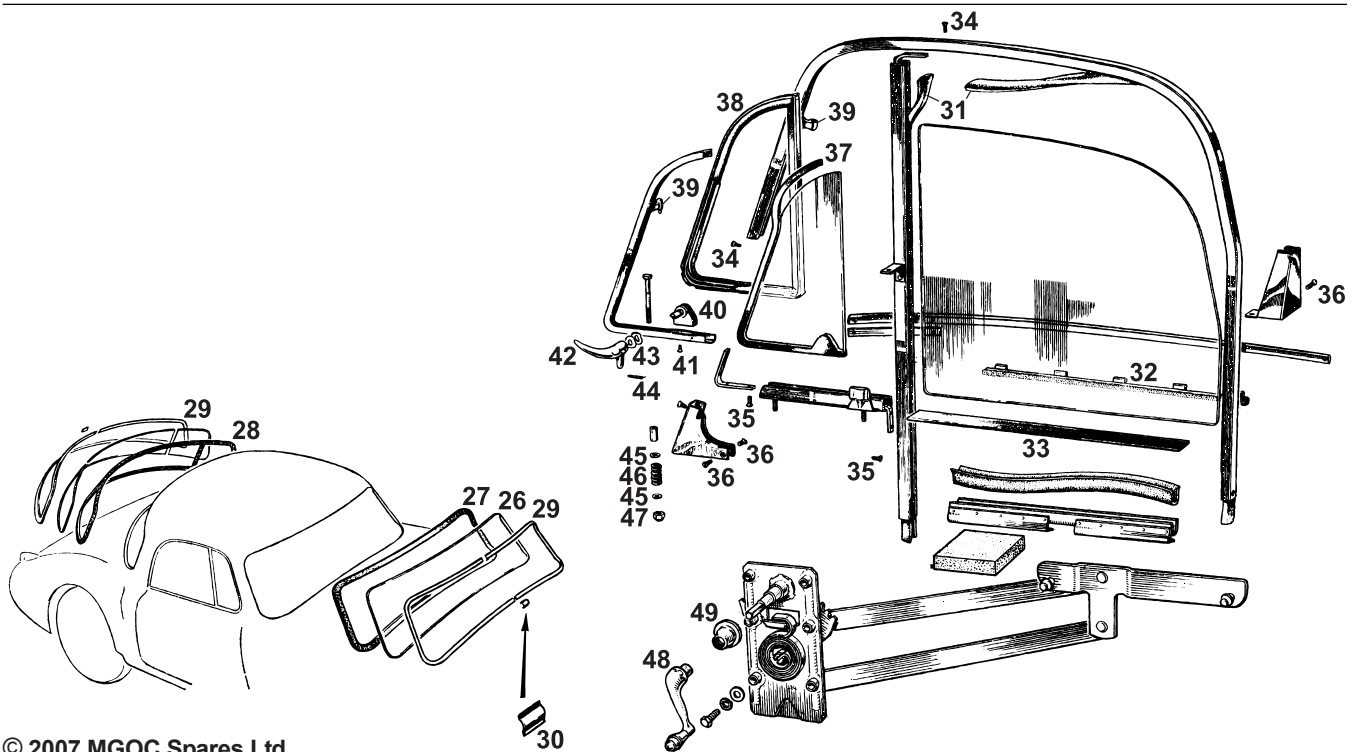
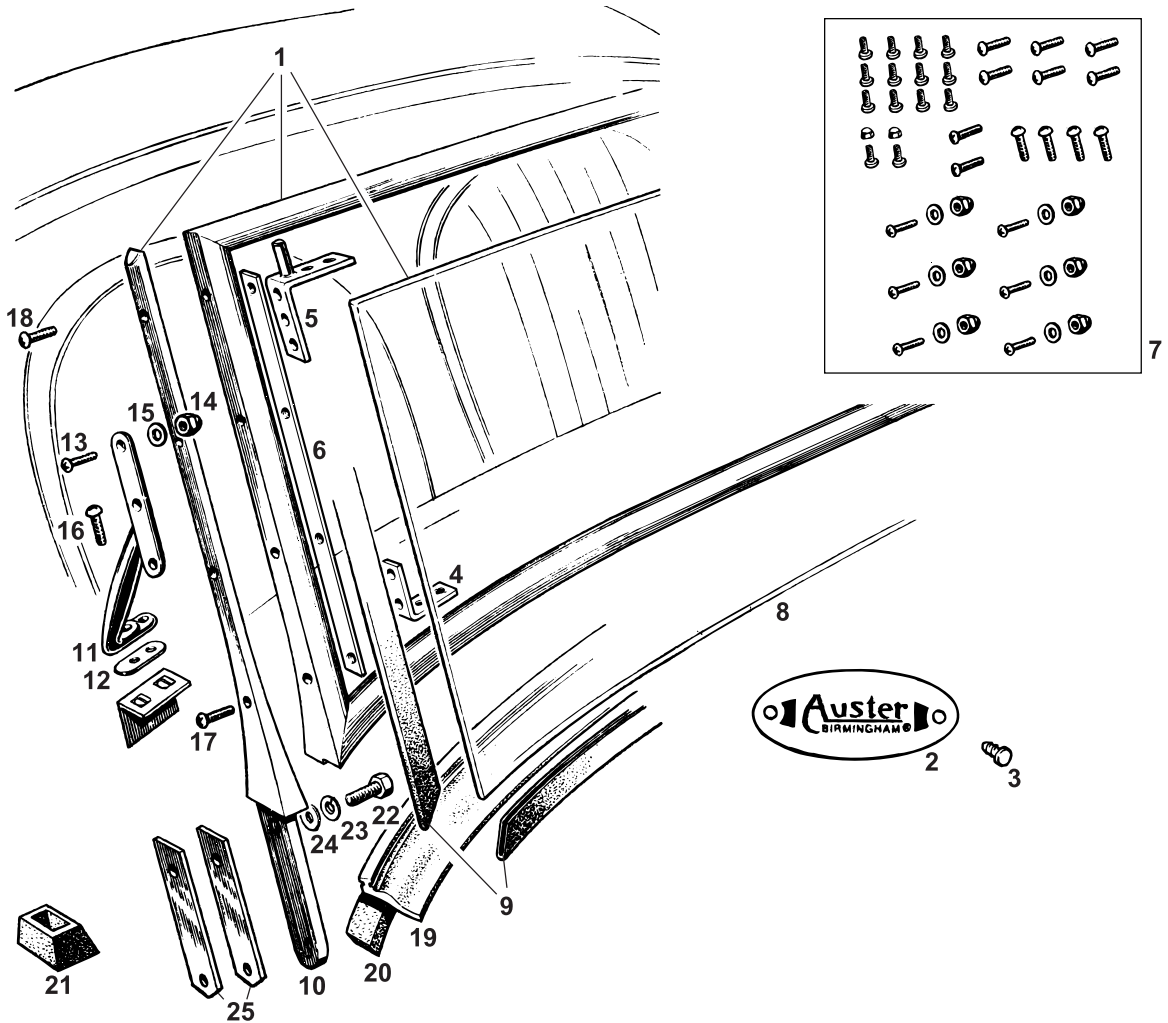
COUPE DOOR GLASS



MGOC Spares & Accessories, Octagon House, Swavesey, Cambridge CB24 4QZ
Tel: 01954 230928 and 01954 231318 Email: sales@mgocspares.co.uk



MGA
1500, 1600
& 1600 MkII



© 2007 MGOC Spares Ltd

Telephone: 01954 230928 Fax: 01954 231923, Email: sales@mgocspares.co.uk



MGA

1500, 1600

& 1600 MkII



1	AFH6769PE	Windscreen Frame Assembly	1	Roadster; reconditioned exchange
2	LMG2005	Badge - Windscreen Frame - 'Auster'	1	
3	FAS1	Rivet - Badge to Frame	2	
4	AFH1715	Bracket - Lower Frame Corner	2	
5	AFH2630	Bracket - Upper Frame Corner - RH	1	
5	AFH2631	Bracket - Upper Frame Corner - LH	1	
6	AFH1714	Tapped Plate	2	
7	GBK2104X	Screw Set - Windscreen Frame	1	
8	AFH1720	Glass - Windscreen - Laminated	1	
9	AFH1724	Seal Set - Rubber - Glazing	1	
10	AFH1718	Pillar - Windscreen - RH	1	
10	AFH1719	Pillar - Windscreen - LH	1	Roadster
11	AFH1722	Grab Handle - RH	1	
11	AFH1723	Grab Handle - LH	1	
12	AFH1687	Packing - Grab Handle	2	
13	CMP307	Screw - Chrome - Handle to Frame	6	
14	AFH2809	Nut - Domed	6	
15	PWZ203	Washer - Plain - Large	6	
16	RMP316	Screw - Chrome - Handle to Body	4	
17	RMP312	Screw - Chrome - Pillar to Frame - Long	2	
18	RMP310	Screw - Chrome - Pillar to Frame - Short	6	
19	AFH1721	Seal - Frame to Body	1	
20	AFH2868	Packing Piece - Frame End	2	
21	AFH1726	Grommet - Pillar to Body	2	
22	BH606101	Bolt - Pillar to Body	4	
23	GHF333	Washer - Spring	4	
24	GHF302	Washer - Plain	4	
25	AFH2547	Shims - Pair - Pillar to Body	A/R	
26	AFH3830	Glass - Windscreen	1	Coupe
27	AFH3831	Seal - Windscreen	1	
28	AFH3837	Seal - Rear Window	1	Coupe; replacement type
29	AFH3838/9	Trim Strip - Plasticchrome	2	
30	AFH3778	Finisher - Trim Strip	4	
31	AFH4862K	Felt Channel Set - Door Drop Glasses	1	
32	AFH4455	Weatherstrip - Door Drop Glass - Outer	2	
33	AFH4456	Weatherstrip - Door Drop Glass - Inner	2	
34	RMP204	Screw - Chrome - Vertical Channel	8	
35	CMZ204	Screw - Quarterlight Channel	12	
36	17H9935	Screw - Chrome - Blending Finishers	6	
37	AFH4874	Seal Set - Quarterlight Glazing	1	
38	AFH4870	Seal - Quarterlight to Frame - RH	1	
38	AFH4871	Seal - Quarterlight to Frame - LH	1	
39	AFH4858/1	Hinge - Quarterlight - RH	1	Coupe
39	AFH4859/1	Hinge - Quarterlight - LH	1	
40	AFH6531	Pivot - Quarterlight Handle	2	
41	CMP204	Screw - Chrome - Pivot to Channel	4	
42	AFH6532	Handle - Quarterlight - RH	1	
42	AFH6533	Handle - Quarterlight - LH	1	
43	AHA7473	Washer - Waved - Anti Rattle	2	
44	AHA7474	Pin - Handle Securing	2	
45	PWZ204	Washer - Plain - Large	4	
46	AHA7544	Spring - Quarterlight Pivot	2	
47	GHF221	Nut - Nyloc	2	
48	ADH5481	Handle - Window Regulator	2	
49	ADB709	Escutcheon - Handle	2	

Buy Online: www.mgocspares.co.uk



MGA
1500, 1600
& 1600 MkII

INTERIOR:

TRIM PANELS

SEALS/CAPPINGS/FIXINGS

SEATS

SEAT BELTS

DASH

SUN VISORS/HEADLINING

CARPETS/MATS/BOOT TRIM



MGOC Spares & Accessories, Octagon House, Swavesey, Cambridge CB24 4QZ
Tel: 01954 230928 and 01954 231318 Email: sales@mgocspares.co.uk



MGA
1500, 1600
& 1600 MkII



1



2



3



5



6



4



7

© 2007 MGOC Spares Ltd

Telephone: 01954 230928 Fax: 01954 231923, Email: sales@mgocspares.co.uk

MGOC Spares are able to offer complete MGA interiors, to the original specification, from stock using top quality materials in Black, Red, Grey and Biscuit. Non-stock trim colour options are available at additional cost - please allow 4 to 6 weeks for delivery.

Important: Please note that it is advisable to order your MGA interior as one complete order. Whilst our suppliers make every effort to ensure that trim colours remain consistent, dye lots can vary.

1	TK710A	Trim Kit - Black1	} Roadster
1	TK710AW	Trim Kit - Black with White Piping1	
1	TK710M	Trim Kit - Red1	
1	TK710P	Trim Kit - Grey1	
1	TK710Z	Trim Kit - Biscuit1	
1	TK710	Trim Kit - Special Colour Order1	

TK710 series kits for MGA Roadsters are 11 piece panel kits each comprising one pair each of door panels, rear wheel arch panels, door pockets, chassis covers, scuttle panels and a screw and washer fitting kit.

1	TK712AA	Trim Kit - Black1	} Coupe
1	TK712AM	Trim Kit - Black with Red Piping1	
1	TK712MM	Trim Kit - Red1	
1	TK712	Trim Kit - Special Colour Order1	

TK712 series kits for MGA Coupes comprise one pair each of door panels, front scuttle panels with map pockets, rear wheel arch panels, fillet panels, floor chassis plate panels, plus an early style parcel shelf (large), late style parcel shelf (small) and a screw and washer fitting kit. Additionally included is loose leather cloth to cover the dash top, dash crash pad roll, instrument panel, door cappings and door pulls, plus a length of 1/4" piping for the dash top and crash pad and a 4 metre length of 1/8" piping for under the crash pad and the front edges of the door panels.

2	TFK711AA	Capping and Piping Kit - Black1	} Roadster
2	TFK711AM	Capping and Piping Kit - Black/Red1	
2	TFK711AW	Capping and Piping Kit - Black/White1	
2	TFK711MA	Capping and Piping Kit - Red/Black1	
2	TFK711MM	Capping and Piping Kit - Red1	
2	TFK711MW	Capping and Piping Kit - Red/White1	
2	TFK711PP	Capping and Piping Kit - Grey1	
2	TFK711	Capping and Piping Kit - Special Order1	

TFK711 series capping and piping kits complement the MGA Roadster trim kits and comprise a 4 metre length of 1/8" piping for the dash crash rail, door cappings, rear quarter cappings and rear cockpit rail, a 1.2 metre length of 1/4" piping for the lower dash rail, plus dash and fascia coverings and leather strips for the door cappings and rear cappings. Equivalent items for Coupes are already included in Coupe trim kits.

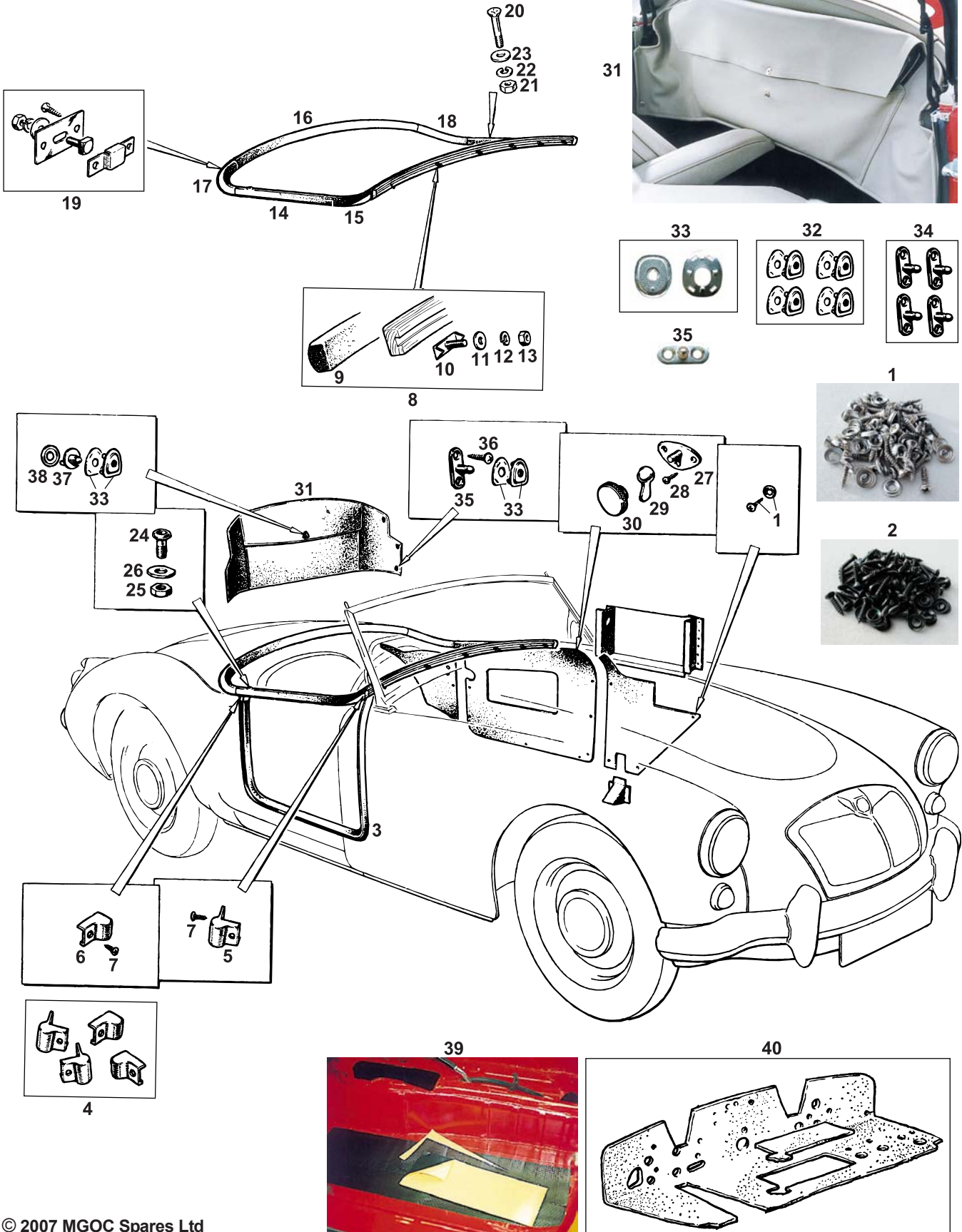
3	TSK102	Trim Screw Kit - Chrome A/R	Contains sufficient screws and washers for one interior
4	TSK101	Trim Screw Kit - Black A/R	As above, alternative finish
5	N035	Upholstery Adhesive - 500ml Tin A/R	
6	N036	Upholstery Adhesive - 400ml Aerosol A/R	
7	VIN on	Trimming Vinyl A/R	

Additional vinyl in panel colour options, to complete bespoke interior work. Please contact MGOC Spares with your requirements.

Telephone: 01954 230928 Fax: 01954 231923, Buy Online: www.mgocspares.co.uk



MGA
1500, 1600
& 1600 MkII



© 2007 MGOC Spares Ltd

Telephone: 01954 230928 Fax: 01954 231923, Email: sales@mgocspares.co.uk



MGA

1500, 1600 & 1600 MkII



1	TSK102	Trim Screw Kit - Chrome	A/R	Contains sufficient screws and washers for one interior
2	TSK101	Trim Screw Kit - Black	A/R	As above, alternative finish
3	KGA817M	Door Seal - Black Plastic/Rubber	A/R	Sold per metre
4	AFH2574/7	Finisher Set - Door Seals	1	Includes four chrome finishers
5	AFH2574	Finisher - Door Seal - RH Front	1	
5	AFH2575	Finisher - Door Seal - LH Front	1	
6	AFH2576	Finisher - Door Seal - RH Rear	1	
6	AFH2577	Finisher - Door Seal - LH Rear	1	

Note that the rear finishers will require slight modification (trimming) to enable them to fit very late MGAs.

7	AB606053	Screw - Chrome - Finisher to Body	8
8	AFH2555K	Dash Rail Kit	1

The dash rail kit includes an untrimmed wooden rail complete with rubber facing, end caps and fixings.

9	AFH2555X	Rubber Facing - Dash Rail	1	} Roadster
10	AFH1900	Stud Plate - Dash Rail to Scuttle	6	
11	PWZ203	Washer - Plain - Large	6	
12	WL700101	Washer - Spring	6	
13	GHF206	Nut	6	
14	AFH2556	Door Capping - Wood - RH	1	
14	AFH2557	Door Capping - Wood - LH	1	
15	AFH2556X	Door Capping Front - Aluminium - RH	1	
15	AFH2557X	Door Capping Front - Aluminium - LH	1	
16	AFH2566	Rear Cockpit Capping - Wood	1	
17	AFH2558	Rear Corner Capping - Aluminium - RH	1	
18	AFH2559	Rear Corner Capping - Aluminium - LH	1	

Wood and aluminium door and cockpit cappings are supplied untrimmed. For trimming materials and colours, please see the Trim Panels pages.

19	BFK110	Fitting Kit - Wood Cappings	1	Roadster
----	--------	-----------------------------	---	----------

The BFK110 fitting kit includes sufficient caged screws, retainer plates, nuts washers and self tapping screws to secure wood cappings to both the doors and the rear cockpit edge.

20	CMZ320	Screw - Aluminium Cappings	6	} Roadster
21	GHF200	Nut	6	
22	GHF331	Washer - Spring	6	
23	PWZ203	Washer - Plain - Large	6	
24	AFH1744	Socket - Sidescreen Fixing	2	
25	NT608041	Nut	2	
26	AFH2579	Washer - Special	2	
27	AAA5154	Stud Plate - Sidescreen Fixing	2	
28	AD608063	Screw - Chrome - Stud Plate to Door	6	
29	MB19331	Nut - Wing - Sidescreen Fixing	2	
30	AFH6620	Nut - Thumb - Sidescreen Fixing	2	1500 Roadster 1600 and 1600 MkII Roadster
31	V720A	Side Screen Bag - Black	1	} 1500 Roadster
31	V720M	Side Screen Bag - Red	1	
31	V720	Side Screen Bag - Special Colour Order	1	} 1600 and 1600 MkII Roadster
31	V725A	Side Screen Bag - Black	1	
31	V725M	Side Screen Bag - Red	1	
31	V725P	Side Screen Bag - Grey	1	
31	V725Z	Side Screen Bag - Biscuit	1	
31	V725	Side Screen Bag - Special Colour Order	1	

Non-stock special sidescreen bag colour options are available at additional cost - please allow 4 to 6 weeks for delivery.

32	Y009	Socket Ass'ys - 'Lift The Dot' - Set of 4	A/R	} With twin screw holes
33	LFS100S	Socket Assembly - 'Lift The Dot'	7	
34	Y008	Studs - 'Lift The Dot' - Set of 4	A/R	
35	LFP116	Stud - 'Lift The Dot'	6	
36	AD606053	Screw - Chrome - Stud to Body	12	} With clinch prong
37	7H9964	Stud - 'Lift The Dot'	1	
38	7H9960	Plate - Clinch	1	
39	N045	Sound Deadening Pad Set	A/R	

These self-adhesive sound deadening pads are designed to damp out vibration and drumming when attached to the inside of large panels such as doors and boot lids etc. They are best applied warm to avoid cracking when fixed on a contoured area. Also note that if the car's paintwork is due to be cured in a paint oven, the pads should be applied afterwards to avoid a melted mess! The set includes sufficient pads for one car.

40	AFH5596	Dash Sound Deadening Set	1	Right hand drive
40	AFH5597	Dash Sound Deadening Set	1	Left hand drive

Originally fitted only to Coupes, the dash sound deadening set easily fits Roadsters as well. It greatly improves cabin refinement.

Telephone: 01954 230928 Fax: 01954 231923, Buy Online: www.mgocspares.co.uk



MGA
1500, 1600
& 1600 MkII



1



2

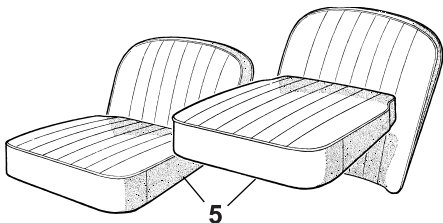
3

3

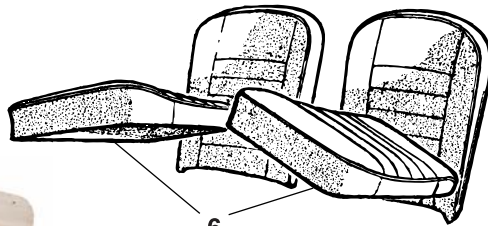
4



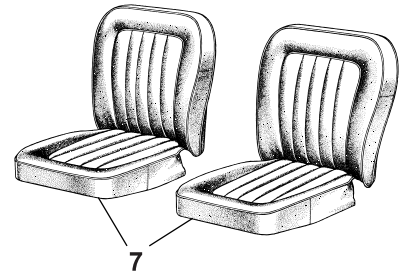
5



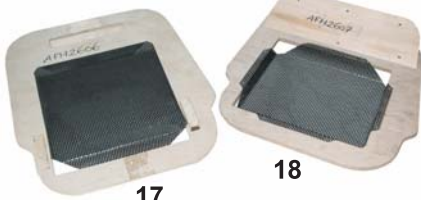
5



6

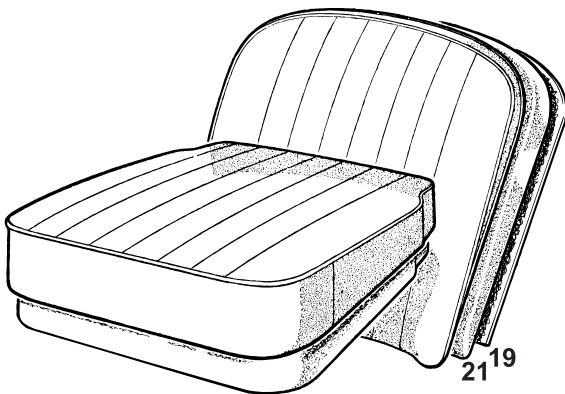


7



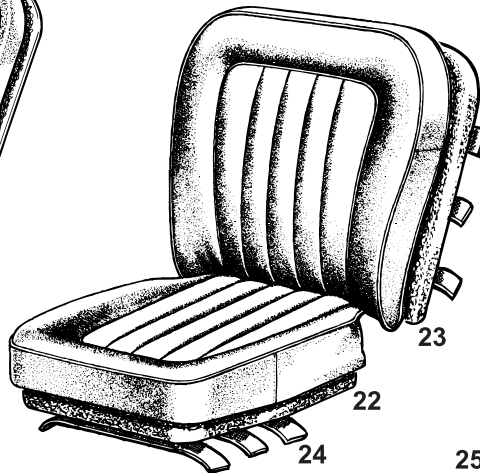
17

18



20

21



22

23

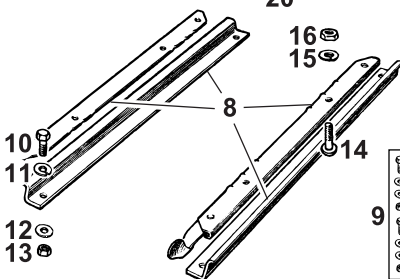
24



26



25



8

10

11

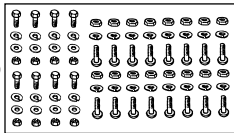
12

13

14

15

16



9



MGA
1500, 1600
& 1600 MkII



MGOC Spares are able to supply complete seat assemblies, either using your existing seat frames or constructed with new frames. Seats can be specified from a wide range of standard colours, or alternatively with non-standard colours at additional cost. Please allow 4 to 6 weeks for delivery. Contact MGOC Spares for details and colour schemes available.

1 S752 on	Seat Ass'ys - Pair - Leather - Exchange	..1	Roadster. Customer's own frames reused
1 S756 on	Seat Ass'ys - Pair - Leather - Exchange	..1	Coupe. Customer's own frames reused
1 S760 on	Seat Ass'ys - Pair - Leather - Exchange	..1	Deluxe. Customer's own frames reused
1 S750 on	Seat Assemblies - Pair - Leather - New	..1	Roadster. New frames used
1 S754 on	Seat Assemblies - Pair - Leather - New	..1	Coupe. New frames used
1 S758 on	Seat Assemblies - Pair - Leather - New	..1	Deluxe. New frames used

Sports bucket seats offering improved side support and location are available in leather or vinyl. Headrests are supplied as standard with leather seats, or may be ordered separately if required with vinyl seats. Please contact MGOC Spares for details and colour schemes available.

2 R068 on	Sports Bucket Seats - Pair - Leather - New	1	With headrests
2 R069 on	Sports Bucket Seats - Pair - Vinyl - New	..1	Order headrests separately
3 R101 on	Headrest - Vinyl	.. A/R	For R069 seats
4 R161	Seat Runner Set - Sports Bucket Seat	A/R	Set includes a pair of runners for one seat

Seat cover kits in either leather or vinyl, made to original styles in a wide choice of colours, are available. As with other trim products, non-stock trim colour options are available at additional cost - please allow 4 to 6 weeks for delivery.

5 SC701AA	Seat Kit - Leather - Black	..1	Roadster
5 SC701AM	Seat Kit - Leather - Black/Red Piping	..1	
5 SC701AW	Seat Kit - Leather - Black/White Piping	..1	
5 SC701MA	Seat Kit - Leather - Red/Black Piping	..1	
5 SC701MM	Seat Kit - Leather - Red	..1	
5 SC701MW	Seat Kit - Leather - Red/White Piping	..1	
5 SC701PP	Seat Kit - Leather - Grey	..1	Coupe
5 SC701	Seat Kit - Leather - Special Colour Order	..1	
5 SC702AA	Seat Kit - Vinyl - Black	..1	
5 SC702MM	Seat Kit - Vinyl - Red	..1	
6 SC703AA	Seat Kit - Leather - Black	..1	
6 SC703AM	Seat Kit - Leather - Black/Red Piping	..1	
6 SC703	Seat Kit - Leather - Special Colour Order	..1	Deluxe
6 SC704AA	Seat Kit - Vinyl - Black	..1	
7 SC705AA	Seat Kit - Leather - Black	..1	
7 SC705AB	Seat Kit - Leather - Black/Blue Piping	..1	
7 SC705AG	Seat Kit - Leather - Black/Green Piping	..1	
7 SC705AM	Seat Kit - Leather - Black/Red Piping	..1	
7 SC705AW	Seat Kit - Leather - Black/White Piping	..1	
7 SC705GG	Seat Kit - Leather - Green	..1	
7 SC705MA	Seat Kit - Leather - Red/Black Piping	..1	
7 SC705MM	Seat Kit - Leather - Red	..1	
7 SC705MW	Seat Kit - Leather - Red/White Piping	..1	
7 SC705PP	Seat Kit - Leather - Grey	..1	
7 SC705	Seat Kit - Leather - Special Colour Order	..1	Roadster and Coupe seats
8 AHH5512K	Seat Slide Set - RH	..1	
8 AHH5511K	Seat Slide Set - LH	..1	
9 GBK2112X	Installation Kit - Seat Slides	..1	
10 GHF117	Screw - Slide to Floor	..8	
11 GHF331	Washer - Spring	..8	
12 PWZ304	Washer - Plain - Large	..8	
13 GHF200	Nut	..8	
14 CMZ410	Screw - Slide to Seat	..16	
15 GHF331	Washer - Spring	..16	
16 GHF200	Nut	..16	
17 AFH2606	Seat Base Ass'y - Wood and Mesh - RH	..1	
18 AFH2607	Seat Base Ass'y - Wood and Mesh - LH	..1	
19 SBB2001	Back Board - Seat Squab	..2	
20 SF732	Seat Foam - Cushion	..2	Deluxe seats
21 SF733	Seat Foam - Squab	..2	
22 SF730	Seat Foam - Cushion	..2	
23 SF731	Seat Foam - Squab	..2	
24 ST400	Strap Kit - Webbing	..2	

Seat slip covers simply slip over to protect your seats during routine servicing etc. Supplied in grey with MG logo:

25 R002PP	Seat Slip Covers - Pair	..1
-----------	-------------------------	-----

Leather armrest assemblies to the original MGA style are available in a wide range of colours to match seat and trim schemes. As with other trim products, non-stock trim colour options are available at additional cost - please allow 4 to 6 weeks for delivery.

26 AR706AA	Armrest - Leather - Black	..1
26 AR706AB	Armrest - Leather - Black/Blue Piping	..1
26 AR706AM	Armrest - Leather - Black/Red Piping	..1
26 AR706AW	Armrest - Leather - Black/White Piping	..1
26 AR706MM	Armrest - Leather - Red	..1
26 AR706PP	Armrest - Leather - Grey	..1
26 AR706	Armrest - Leather - Special Colour Order	..1

Telephone: 01954 230928 Fax: 01954 231923, Buy Online: www.mgocspares.co.uk



MGA
1500, 1600
& 1600 MkII



1



2



5



3



4

© 2007 MGOC Spares Ltd

Telephone: 01954 230928 Fax: 01954 231923, Email: sales@mgocspares.co.uk



MGA
1500, 1600
& 1600 MkII



Replacement seat belts manufactured by Securon are available, with a choice of static or inertia reel types. The inertia reel belt features adjustable sensitivity and is supplied complete with mounting brackets.

- | | | | | |
|---|-------|---|-----|---------------------------------------|
| 1 | M075 | Seat Belt Assembly - Static - Black | 2 | } Replacement type Securon seat belts |
| 2 | M070 | Seat Belt Assembly - Inertia Reel - Black . . . | 2 | |
| 3 | M050 | Competition Harness - 3 Point - Red . . . | A/R | } For competition harnesses |
| 4 | M055 | Competition Harness - 4 Point - Red . . . | A/R | |
| | M056D | Mounting Plates With Nuts - Pair | A/R | |
| | M056E | Eye Bolts - Pair | A/R | |
| 5 | M099 | Comfi Clips - Pair | A/R | |

Comfi Clips relieve seat belt tension and are suitable for all inertia reel seat belts. They allow movement without readjusting and on sportscars in particular help to stop the seat belt rubbing against the wearer's neck.

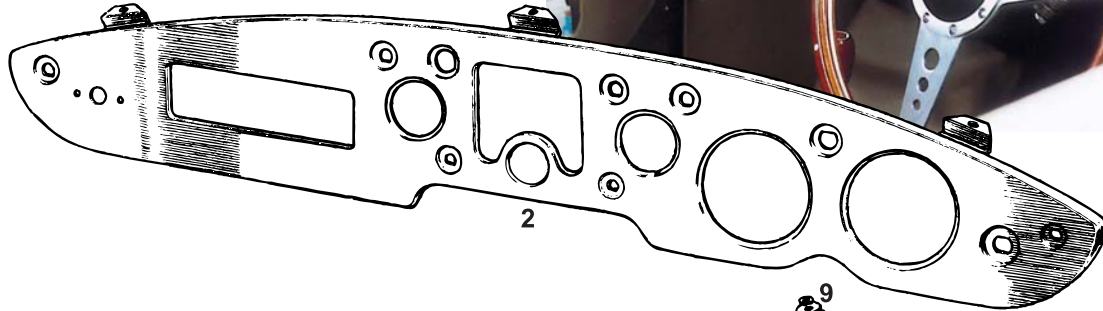
Telephone: 01954 230928 Fax: 01954 231923, Buy Online: www.mgocspares.co.uk



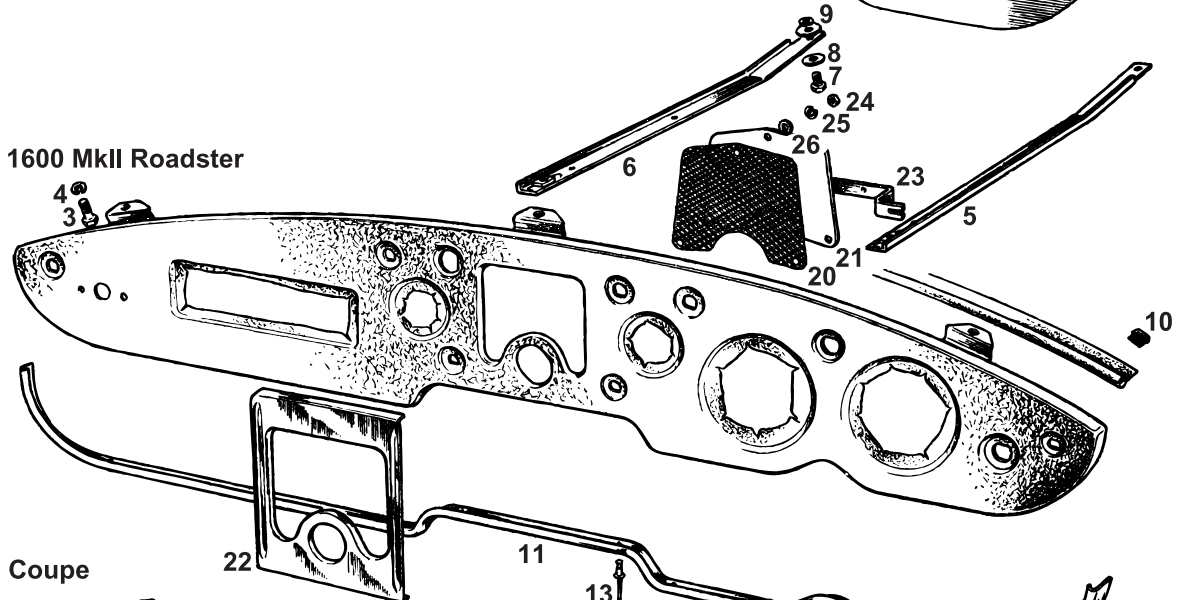
MGA
1500, 1600
& 1600 MkII



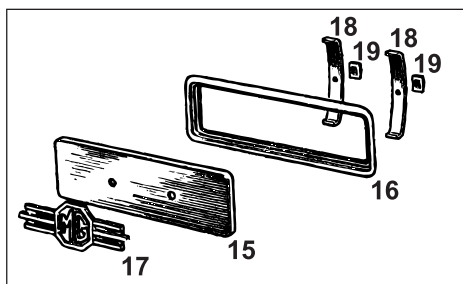
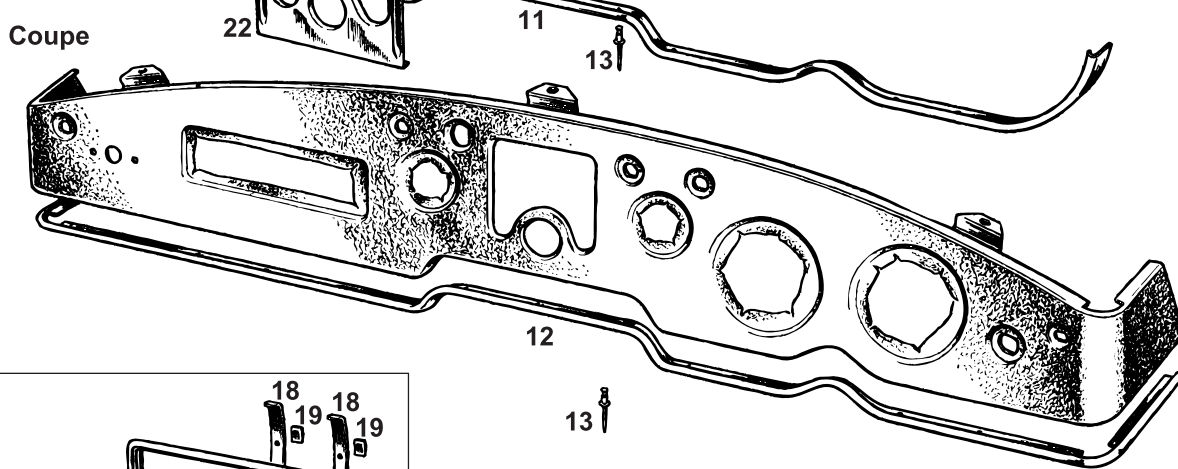
1500, 1600 Roadster



1600 MkII Roadster



Coupe



© 2007 MGOC Spares Ltd

Telephone: 01954 230928 Fax: 01954 231923, Email: sales@mgocspares.co.uk



MGA
1500, 1600
& 1600 MkII



- | | | | | |
|---|-------|--------------------|---|------------------|
| 1 | S080 | Dash - Burr Walnut | 1 | Right hand drive |
| 1 | S080L | Dash - Burr Walnut | 1 | Left hand drive |

Each complete board is crafted from hand-selected burr walnut veneer to ensure consistent burr pattern throughout. All mounting holes are pre-drilled and antique screws provided, ready to lay the dash over the existing fascia. A deep protective lacquer reflects the beauty of the burr wood pattern.

- | | | | | |
|---|-------|--------------------|---|----------------------------|
| 2 | ARH57 | Dash Panel - Steel | 1 | Roadster, right hand drive |
|---|-------|--------------------|---|----------------------------|
- The dash panel is supplied untrimmed. For trimming materials and colours for certain models, please see the Trim Panels pages.

- | | | | |
|----|----------|----------------------------------|---|
| 3 | 53K126 | Screw - Dash to Body | 3 |
| 4 | WL700101 | Washer - Spring | 3 |
| 5 | AFH1712 | Dash Support - RH | 1 |
| 6 | AFH1713 | Dash Support - LH | 1 |
| 7 | PMZ308 | Screw - Support to Dash and Body | 8 |
| 8 | PWZ203 | Washer - Plain | 8 |
| 9 | PWZ204 | Washer - Plain - Large | 3 |
| 10 | ANK5046A | Clip - Piping to Dash | 8 |

For details of dash piping and colours, please see the Trim Panels pages.

- | | | | | |
|----|---------|--------------------------|-------|--------------------------------------|
| 11 | AFH5476 | Finisher - Dash Lower | 1 | 1600 MkII Roadster, right hand drive |
| 11 | AFH5477 | Finisher - Dash Lower | 1 | 1600 MkII Roadster, left hand drive |
| 12 | AFH4488 | Finisher - Dash Lower | 1 | All Coupes, right hand drive |
| 12 | AFH4489 | Finisher - Dash Lower | 1 | All Coupes, left hand drive |
| 13 | GHF600 | Rivet - Finisher to Dash | 16/23 | Qty increases for Coupe |

The radio aperture blanking plate should be painted in body colour or trimmed in dash vinyl, according to model:

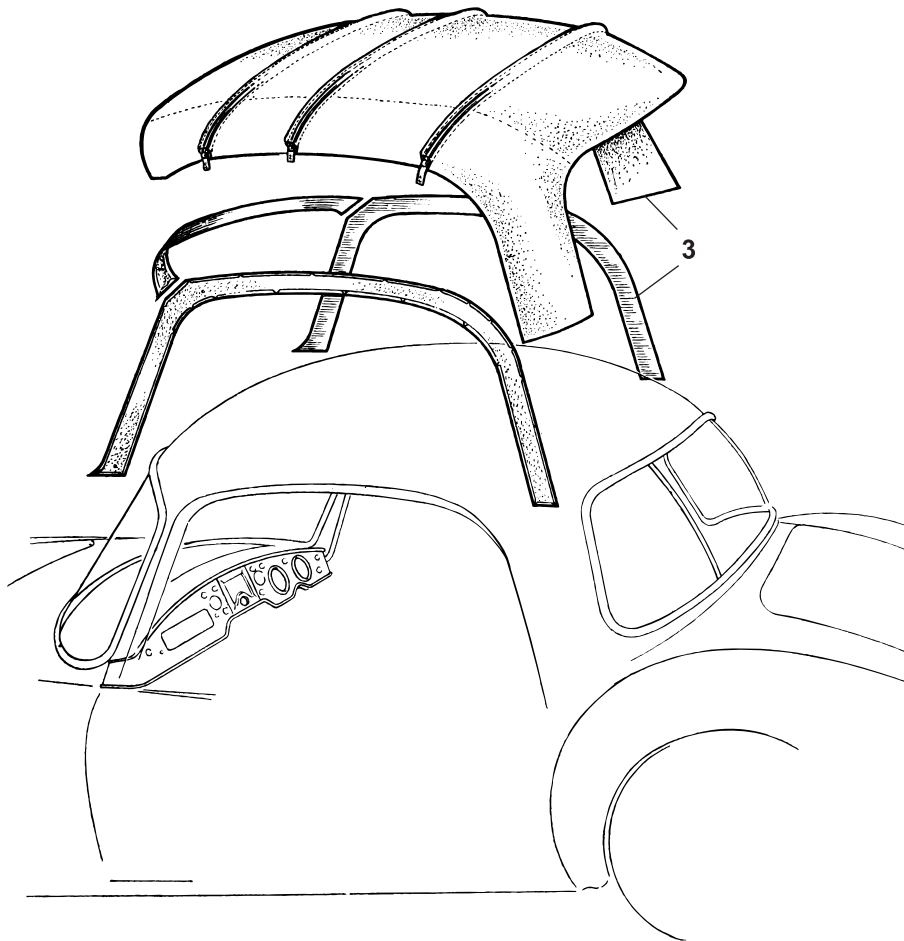
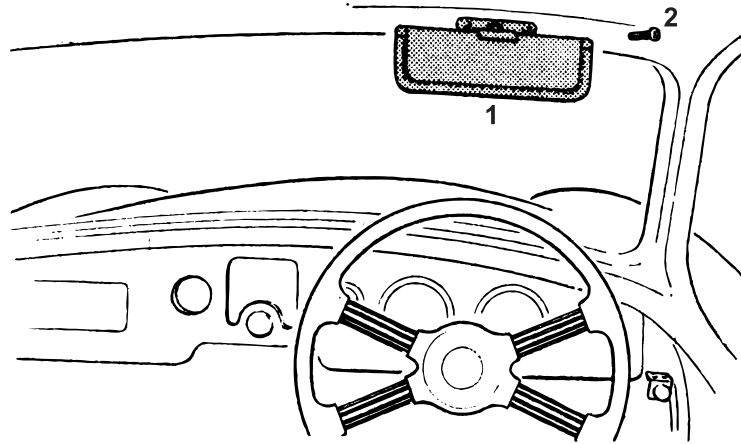
- | | | | |
|----|----------|--|---|
| 14 | ARH59A | Blanking Plate Set - Radio Aperture | 1 |
| 15 | ARH59 | Blanking plate - Radio Aperture | 1 |
| 16 | AHH5255 | Bezel - Blanking Plate | 1 |
| 17 | AHH5258 | Badge - 'MG' | 1 |
| 18 | BHH364 | Clip - Blanking Plate Retaining | 2 |
| 19 | ADB509 | Nut - Spire | 2 |
| 20 | AHH5254 | Mesh - Speaker Grille | 1 |
| 21 | AHH5376 | Blanking Plate - Speaker Grille | 1 |
| 22 | AFH4520 | Bezel - Speaker Grille and Horn Button | 1 |
| 23 | AHH5287 | Bracket - Horn Button | 1 |
| 24 | GHF206 | Nut | 3 |
| 25 | WL700101 | Washer - Spring | 3 |
| 26 | PWZ203 | Washer - Plain | 3 |

If required
1600 MkII Roadster, all Coupes

Telephone: 01954 230928 Fax: 01954 231923, Buy Online: www.mgocspares.co.uk



MGA
1500, 1600
& 1600 MkII



© 2007 MGOC Spares Ltd

Telephone: 01954 230928 Fax: 01954 231923, Email: sales@mgocspares.co.uk



MGA
1500, 1600
& 1600 MkII



Always officially listed as an optional extra, sun visors seem in fact to have been fitted to all but a few Coupes:

1	AHH5710W	Sun Visor - White2	} Coupe
1	AHH5710A	Sun Visor - Black2	
2	AD608063	Screw - Chrome - Sun Visor to Body4	

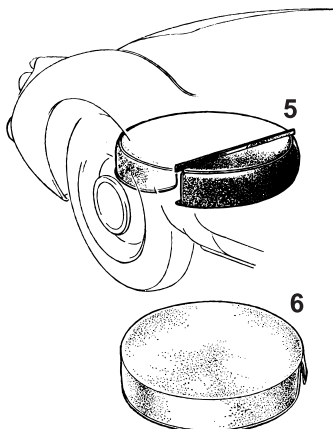
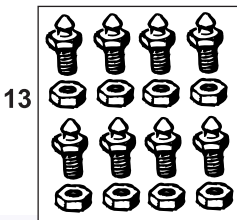
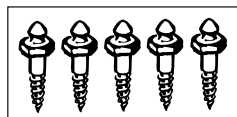
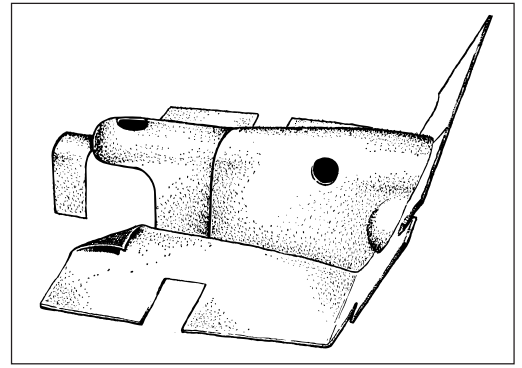
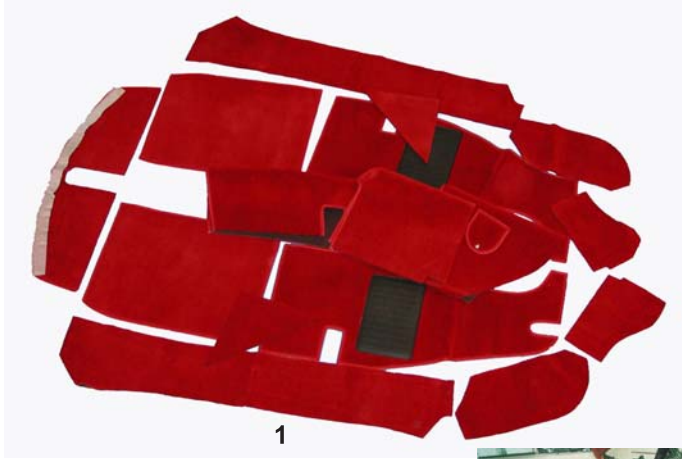
The MGA Coupe headlining kits include a tailored headlining assembly, plus sufficient material to recover the roof reinforcement assembly (cant rails and header rail). The kits do not include the listing rails, which must be reused from the old headlining.

3	AFH4657W	Headlining Kit - White1	} Coupe
3	AFH4657A	Headlining Kit - Black1	

Telephone: 01954 230928 Fax: 01954 231923, Buy Online: www.mgocspares.co.uk



MGA
1500, 1600
& 1600 MkII



© 2007 MGOC Spares Ltd

Telephone: 01954 230928 Fax: 01954 231923, Email: sales@mgocspares.co.uk

Tailored for neat installation and durability, MGOC Spares front carpet sets include front, middle and rear tunnel pieces, one pair of front footwell mats with heel mats, one pair of rear footwell mats, one pair of sill carpets, one rear ramp carpet, one pair of crossmember carpets, one pair of front scuttle pieces and two front floor chassis member pieces.

A good range of standard colours are available, or alternatively non-standard colours at additional cost (for the latter, please allow 4 to 6 weeks for delivery).

1	CK725AA	Carpet Set - Front - Black1	} Right hand drive
1	CK725MM	Carpet Set - Front - Red1	
1	CK725PP	Carpet Set - Front - Grey1	
1	CK725	Carpet Set - Front - Special Colour Order	..1	
1	CK730AA	Carpet Set - Front - Black1	} Left hand drive
1	CK730MM	Carpet Set - Front - Red1	
1	CK730NN	Carpet Set - Front - Navy1	
1	CK730PP	Carpet Set - Front - Grey1	
1	CK730	Carpet Set - Front - Special Colour Order	..1	

To ensure a snug carpet fit and to provide extra refinement, a specially tailored underfelt kit may also be fitted:

2	CK740	Underfelt Kit - Front Carpets1
---	-------	-------------------------------	--------

Rear carpet sets were fitted to Coupes as standard and to Roadsters as a rarely taken up option. Many owners choose to fit rear carpet sets to their MGAs to achieve a more complete appearance. The sets comprise battery cover panel, wheel arch carpets, sidemember carpets and a rear bulkhead carpet:

3	CK726A	Carpet Set - Rear - Black1	} Coupe (standard fitment), Roadster (optional)
3	CK726M	Carpet Set - Rear - Red1	
3	CK726N	Carpet Set - Rear - Navy1	
3	CK726P	Carpet Set - Rear - Grey1	
3	CK726	Carpet Set - Rear - Special Colour Order	..1	

Making the boot area more plush and reducing cabin noise, a boot carpet set makes a simple and effective improvement to your MGA. The sets shown here comprise a bound floor carpet, two chassis rail carpets and a rear valance carpet:

4	CK727A	Carpet Set - Boot - Black1
4	CK727M	Carpet Set - Boot - Red1
4	CK727N	Carpet Set - Boot - Navy1
4	CK727P	Carpet Set - Boot - Grey1
4	CK727	Carpet Set - Boot - Special Colour Order	..1

Spare wheel covers for most MGAs were and still are made in two parts, the front in carpet to match the interior carpet set and the rear section in grey vinyl-backed felt. The exceptions were 1600 Coupes and 1600 MkII Coupes, for which a unique one-piece grey vinyl cover was fitted.

5	CK729AA	Spare Wheel Cover - Black1	} All Roadsters, 1500 Coupes (carpet and vinyl)
5	CK729MM	Spare Wheel Cover - Red1	
5	CK729NN	Spare Wheel Cover - Navy1	
5	CK729PP	Spare Wheel Cover - Grey1	
5	CK729	Spare Wheel Cover - Special Colour Order	..1	
6	CK728P	Spare Wheel Cover - Grey1	1600 Coupe, 1600 MkII Coupe (plain vinyl)

7	N035	Upholstery Adhesive - 500ml Tin A/R	} Wood screw threaded	
8	N036	Upholstery Adhesive - 400ml Aerosol	.. A/R		
9	Y009	Socket Ass'ys - 'Lift The Dot' - Set of 4	A/R		
10	LFS100S	Socket Assembly - 'Lift The Dot'16		
11	Y005	Studs - 'Lift The Dot' - Set of 5 A/R		
12	552667	Stud - 'Lift The Dot'12		
13	Y007	Studs - 'Lift The Dot' - Set of 8 - With Nuts	A/R		} Machine screw threaded
14	Y007A	Stud - 'Lift The Dot' - With Nut4		

Heavy duty and accurately shaped rubber footwell mats, moulded for all MGA models, keep carpets clean and protect against heel wear:

15	N063	Rubber Footwell Mats - Pair1	With MG logo
----	------	-----------------------------	--------	--------------

Telephone: 01954 230928 Fax: 01954 231923, Buy Online: www.mgocspares.co.uk



MGA
1500, 1600
& 1600 MkII

HOODS & HARDTOP:

HOODS

TONNEAU COVERS

HOOD CARE

SIDESCREENS

HARDTOP

CAR COVERS



MGOC Spares & Accessories, Octagon House, Swavesey, Cambridge CB24 4QZ
Tel: 01954 230928 and 01954 231318 Email: sales@mgocspares.co.uk



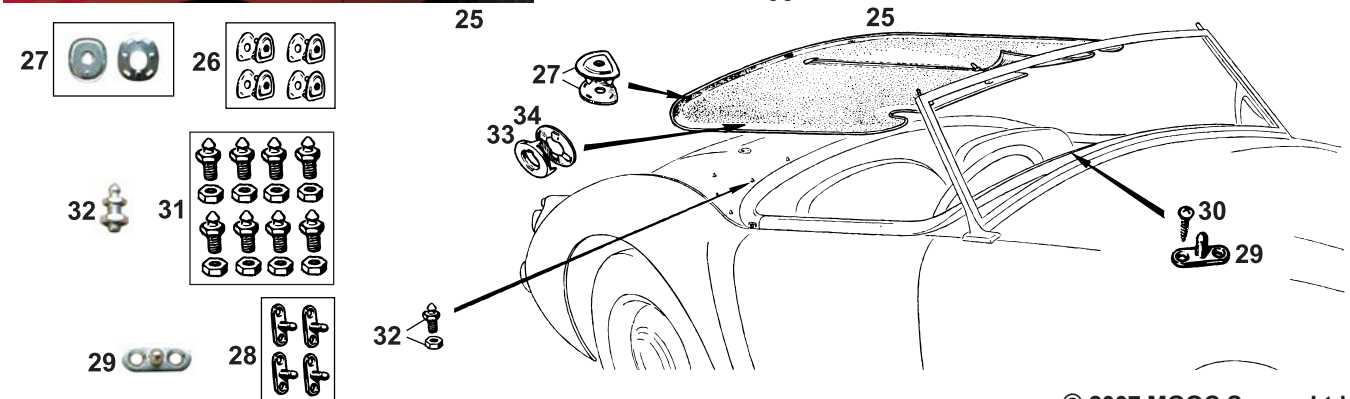
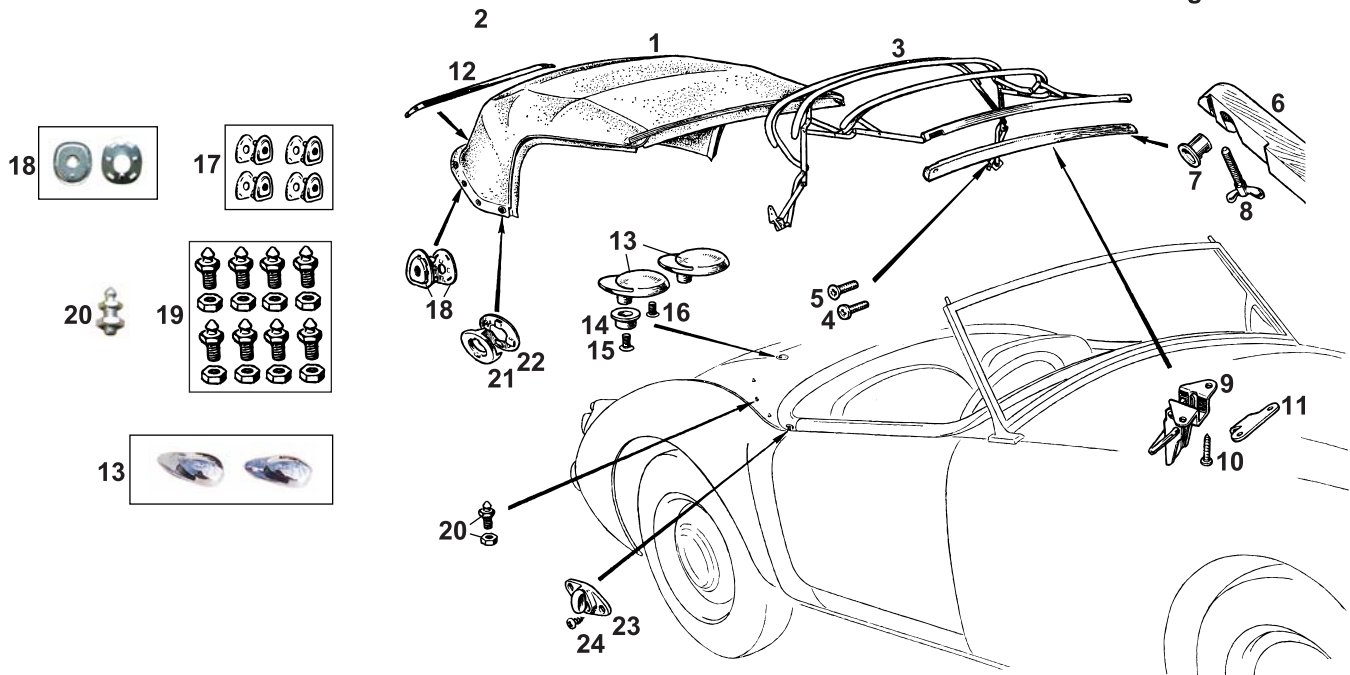
MGA
1500, 1600
& 1600 MkII



**Hood Fitting
Service Available**



Choice of Colour Bindings



© 2007 MGOC Spares Ltd

Telephone: 01954 230928 Fax: 01954 231923, Email: sales@mgocspares.co.uk



MGA
1500, 1600
& 1600 MkII



Changes in hood design occurred during production of 1500 and 1600 models - most importantly that early 1500 models were fitted with single rear window hoods, while late 1500 and all 1600 models had three window hoods with extra quarter windows. Also, hood weatherproofing was improved by the introduction of dielectrically welded seams from chassis number 16101 onwards. MGA hoods were manufactured from ICI Vyanide (vinyl) on all 1500s, but Wardle's Everflex was used on all 1600 production.

MGOC Spares are able to supply quality reproduction hoods in a range of colours and original materials (Superior Vinyl and Everflex), as well as non-standard Mohair, Double Duck and heavy duty vinyl. All hoods may be specified with a choice of colour binding and have dielectrically welded seams as standard. Please contact our sales team for more information.

While MGOC Spares hoods are supplied ready for DIY fitting, professional fitment is particularly recommended for the MGA item, due to the skills and experience needed to ensure a taut, smart finish. The club offers a while-you-wait hood fitting service, by appointment, at the club HQ. Materials in colours other than black may be available as a special order - again, please contact MGOC Spares for details.

1	V202AA	Hood - Superior Vinyl - Black	1	} One window type (early 1500)
1	V202	Hood - Everflex - Special Colour Order	1	
1	V302AA	Hood - Double Duck - Black	1	
1	V402AA	Hood - Mohair - Black	1	} Three window type (late 1500, all 1600)
1	V402	Hood - Mohair - Special Colour Order	1	
2	V101AA	Hood - Heavy Duty Vinyl - Black	1	
2	V201AA	Hood - Superior Vinyl - Black	1	
2	V201	Hood - Everflex - Special Colour Order	1	
2	V401AA	Hood - Mohair - Black	1	
2	V401	Hood - Mohair - Special Colour Order	1	} Also known as chrome 'teardrops'
3	AFH6847	Hood Frame Assembly	1	
4	SE604081	Screw - Frame to Body	2	
5	SF604081	Screw - Countersunk - Frame to Body	4	
6	AFH6846	Header Rail - Wood	1	
7	AFH2635	Socket - Header Rail	2	
8	AAA5166	Wing Bolt - Hood to Windscreen	2	
9	AFH6772	Latch - Over-Centre - Header Rail	1	
10	AB606053	Screw - Chrome	2	
11	AFH6773	Catch - Windscreen Centre	1	
12	AFH2659	Retainer Bar - Hood Rear	1	
13	V549	Sockets - Pair - Rear Hood Bar Locating	1	
14	AAA5130	Washer - Cup	2	
15	PMZ306	Screw - Socket to Body - Long	2	
16	PMZ304	Screw - Socket to Body - Short	2	
17	Y009	Socket Ass'ys - 'Lift The Dot' - Set of 4	A/R	
18	LFS100S	Socket Assembly - 'Lift The Dot'	6	
19	Y007	Studs - 'Lift The Dot' - Set of 8 - With Nuts A/R	6	} Machine screw threaded
20	Y007A	Stud - 'Lift The Dot' - With Nut	6	
21	14A6537	Eyelet - Turn Buckle	2	
22	14A6538	Clinch Plate - Eyelet	2	
23	14A6536	Turn Buckle	2	
24	AD606053	Screw - Chrome	4	

MGA tonneau covers are available in a choice of Superior Vinyl, Everflex, Heavy Duty Vinyl, Double Duck or Mohair materials in either short style (mounting on the rear cockpit rail) or long style (mounting behind the rear cockpit rail). All tonneau covers are supplied complete with fixings. Materials in colours other than black may be available as a special order - please contact MGOC Spares for details.

25	T101AA	Tonneau Cover - Heavy Duty Vinyl - Black	1	} Right hand drive, long style
25	T201AA	Tonneau Cover - Superior Vinyl - Black	1	
25	T201	Tonneau Cover - Everflex - Special Order	1	
25	T301AA	Tonneau Cover - Double Duck - Black	1	
25	T401AA	Tonneau Cover - Mohair - Black	1	
25	T401	Tonneau Cover - Mohair - Special Order	1	} Left hand drive, long style
25	T101LAA	Tonneau Cover - Heavy Duty Vinyl - Black	1	
25	T201LAA	Tonneau Cover - Superior Vinyl - Black	1	
25	T201L	Tonneau Cover - Everflex - Special Order	1	
25	T301LAA	Tonneau Cover - Double Duck - Black	1	
25	T401LAA	Tonneau Cover - Mohair - Black	1	} Right hand drive, short style
25	T401L	Tonneau Cover - Mohair - Special Order	1	
25	T102AA	Tonneau Cover - Heavy Duty Vinyl - Black	1	
25	T202AA	Tonneau Cover - Superior Vinyl - Black	1	
25	T202	Tonneau Cover - Everflex - Special Order	1	
25	T302AA	Tonneau Cover - Double Duck - Black	1	} Left hand drive, short style
25	T402AA	Tonneau Cover - Mohair - Black	1	
25	T402	Tonneau Cover - Mohair - Special Order	1	
25	T102LAA	Tonneau Cover - Heavy Duty Vinyl - Black	1	
25	T202LAA	Tonneau Cover - Superior Vinyl - Black	1	
25	T202L	Tonneau Cover - Everflex - Special Order	1	} With twin screw holes
25	T302LAA	Tonneau Cover - Double Duck - Black	1	
25	T402LAA	Tonneau Cover - Mohair - Black	1	
25	T402L	Tonneau Cover - Mohair - Special Order	1	
26	Y009	Socket Ass'ys - 'Lift The Dot' - Set of 4	A/R	
27	LFS100S	Socket Assembly - 'Lift The Dot'	A/R	} Only required for short style tonneau cover
28	Y008	Studs - 'Lift The Dot' - Set of 4	A/R	
29	LFP116	Stud - 'Lift The Dot'	6	
30	AD606053	Screw - Chrome	12	
31	Y007	Studs - 'Lift The Dot' - Set of 8 - With Nuts A/R	6	
32	Y007A	Stud - 'Lift The Dot' - With Nut	A/R	



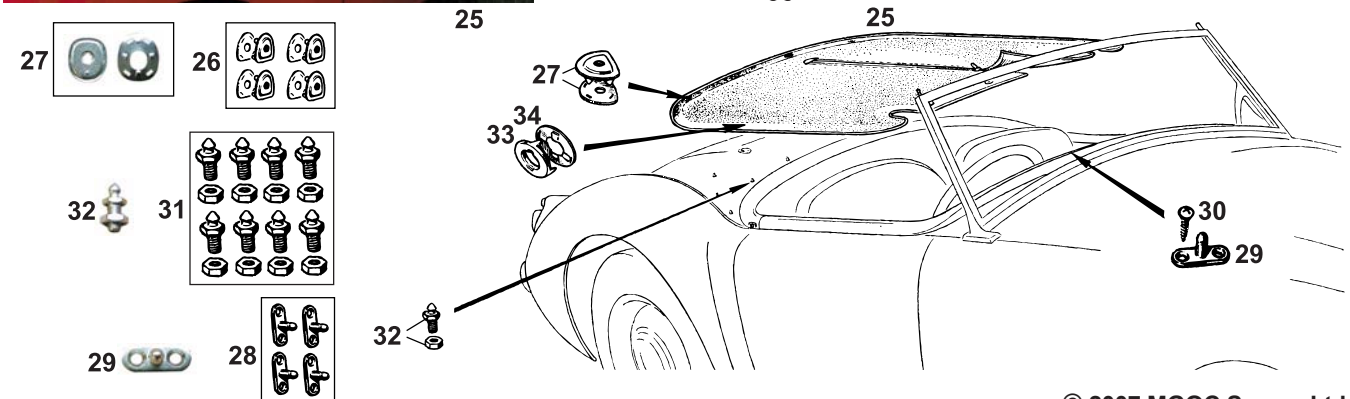
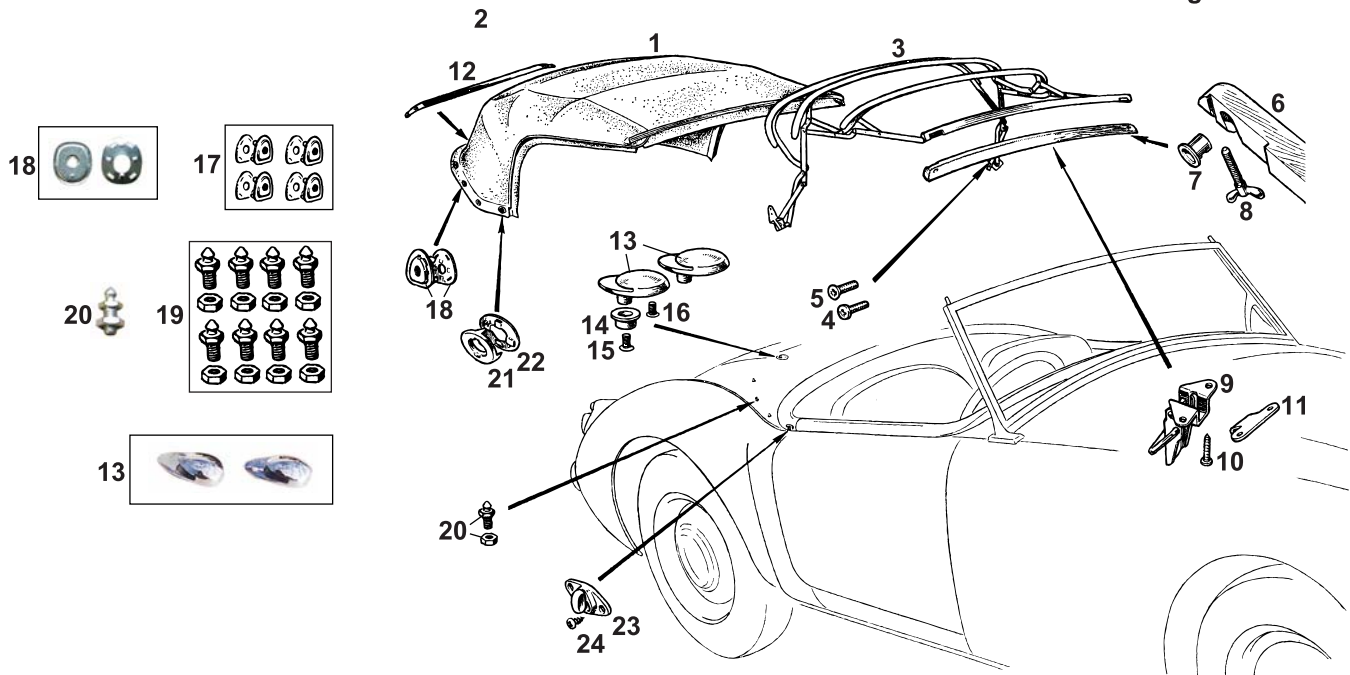
MGA
1500, 1600
& 1600 MkII



Hood Fitting
Service Available



Choice of Colour Bindings



© 2007 MGOC Spares Ltd

Telephone: 01954 230928 Fax: 01954 231923, Email: sales@mgocspares.co.uk



MGA
1500, 1600
& 1600 MkII

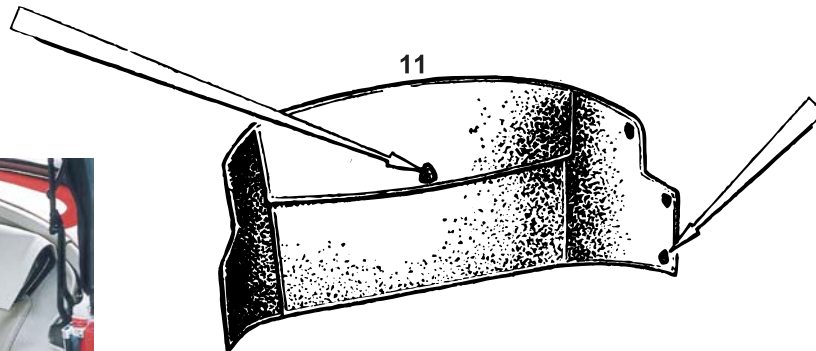
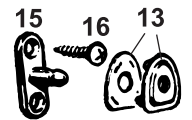
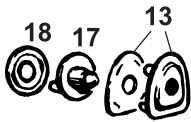
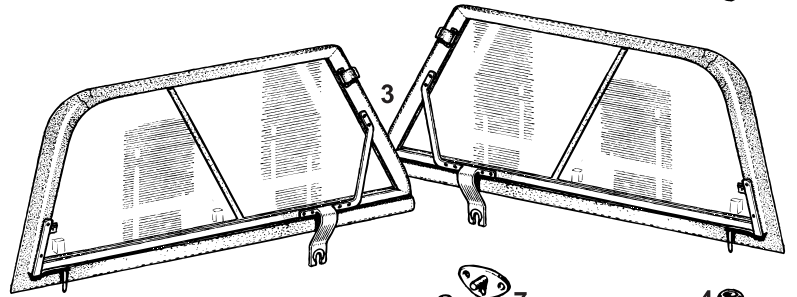
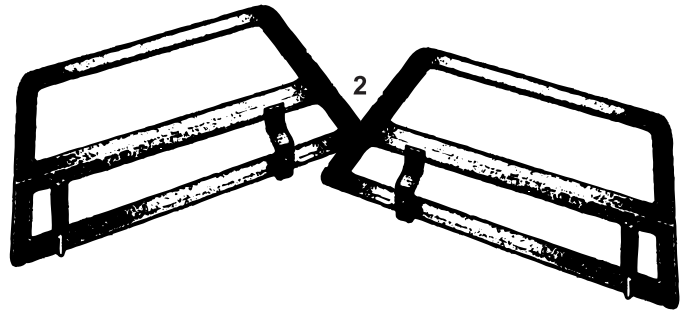
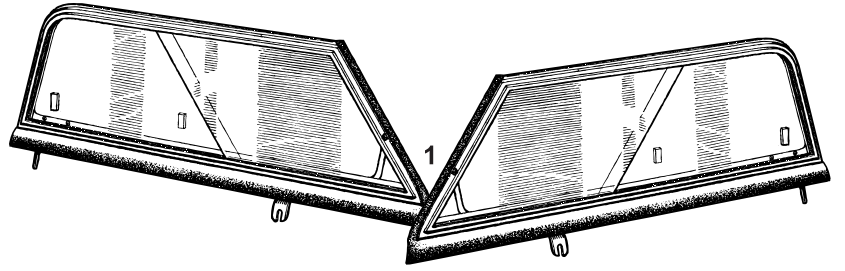


33	14A6537	Eyelet - Turn Buckle	2	
34	14A6538	Clinch Plate - Eyelet	2	
35	A100A	Hood Care Kit - Renovo - Black	1	
36	A100N	Hood Care Kit - Renovo - Navy	1	
Hood care kits include ultraproofer, shampoo, cleaner, colour reviver, protector and window polish.				
36	A104	Vinyl Ultraproof Protector - 500ml	A/R	
37	A103	Vinyl Cleaner - 500ml	A/R	
38	A109	Fabric Shampoo - 500ml	A/R	
39	A110	Fabric Colour Reviver - Black - 1 Litre	A/R	
40	A105	Fabric Ultraproof Protector - 1 Litre	A/R	
41	A102	Waterproofer - Fabsil - Clear Silicone	A/R	Not included in hood care kits

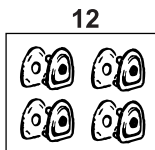
Telephone: 01954 230928 Fax: 01954 231923, Buy Online: www.mgocspares.co.uk



MGA
1500, 1600
& 1600 MkII



19



© 2007 MGOC Spares Ltd

Telephone: 01954 230928 Fax: 01954 231923, Email: sales@mgocspares.co.uk



MGA
1500, 1600
& 1600 MkII



The MGOC side screen range runs from the aluminium type (originally there were two types for the different factory hardtops, but now one type fits both plus hoods as well), through MGA 1500 (with hinged curtains) and MGA 1600 (with sliding plexiglass) types in a choice of vinyl or canvas coverings to match hood material. Coverings in other colours to those shown may be available as a special order - please contact MGOC Spares for details.

1	V711	Side Screen Set - Aluminium	1	1500 and 1600, with hood or hardtop
2	V714A	Side Screen Set - Vinyl - Black	1	1500 with hood
2	V715A	Side Screen Set - Canvas - Black	1	
3	V716A	Side Screen Set - Canvas - Black	1	1600 and 1600 MkII with hood
3	V717A	Side Screen Set - Vinyl - Black	1	
3	V717P	Side Screen Set - Vinyl - Grey	1	
4	AFH1744	Socket - Sidescreen Fixing	2	
5	NT608041	Nut	2	
6	AFH2579	Washer - Special	2	
7	AAA5154	Stud Plate - Sidescreen Fixing	2	
8	AD608063	Screw - Chrome - Stud Plate to Door	6	
9	MB19331	Nut - Wing - Sidescreen Fixing	2	1500 Roadster
10	AFH6620	Nut - Thumb - Sidescreen Fixing	2	1600 and 1600 MkII Roadster
11	V720A	Side Screen Bag - Black	1	1500 Roadster
11	V720M	Side Screen Bag - Red	1	
11	V720	Side Screen Bag - Special Colour Order	1	
11	V725A	Side Screen Bag - Black	1	1600 and 1600 MkII Roadster
11	V725M	Side Screen Bag - Red	1	
11	V725P	Side Screen Bag - Grey	1	
11	V725Z	Side Screen Bag - Biscuit	1	
11	V725	Side Screen Bag - Special Colour Order	1	

Special order sidescreen bag colour options, matching non-standard trim colours, are available at additional cost - please allow 4 to 6 weeks for delivery.

12	Y009	Socket Ass'ys - 'Lift The Dot' - Set of 4	A/R	
13	LFS100S	Socket Assembly - 'Lift The Dot'	7	
14	Y008	Studs - 'Lift The Dot' - Set of 4	A/R	With twin screw holes
15	LFP116	Stud - 'Lift The Dot'	6	
16	AD606053	Screw - Chrome - Stud to Body	12	With clinch prong
17	7H9964	Stud - 'Lift The Dot'	1	
18	7H9960	Plate - Clinch	1	
19	V609	Hard Top - Works Style - White	1	
19	V608	Hard Top - Works Style - Black	1	

This good-looking reproduction of the factory 'works' hard top is trimmed inside with a flock lining and supplied complete with fixings for installation.

Telephone: 01954 230928 Fax: 01954 231923, Buy Online: www.mgocspares.co.uk



MGA
1500, 1600
& 1600 MkII



1



2



3



4



5



6



MGA
1500, 1600
& 1600 MkII



1 T710 on Carcoon Storage System 1

The Carcoon storage system offers ultimate protection through constant air circulation, up to three complete changes per hour, around and through your MG. It eliminates condensation, keeps your MG aired and dry, is cheap to run and quick and simple to use. A variety of sizes and types are available in a range of Carcoon products that also includes replacement filters with which to service your storage system. Please contact MGOC Spares for details.

2 T603 Storm Cockpit Cover 1

Far more effective than the traditional tonneau cover, the storm cockpit cover fits in seconds and provides complete waterproofing of the entire cockpit area. Tailored specifically for the MGA, the cover folds up neatly into its own 18" x 12" storage bag.

3 T626 Tailored Allweather Cover 1

T620C Cable and Lock Set - Tailored Cover 1

Designed for both indoor and outdoor use, the tailored allweather cover provides protection for your MGA in all weather conditions while the Technolon fabric allows the bodywork to breathe. It shields the exterior and interior of the car from damage from dirt, dust, tree droppings, salt air and even industrial pollution and acid rain. It also allows any moisture under the cover to evaporate and helps to keep your car looking 'showroom new'. A cable and lock set to keep all secure is also available.

4 T641 Universal Allweather Cover 1

The universal allweather cover, manufactured from the same material as the tailored item above, affords the same degree of protection for cars other than your MG. It is suitable for cars up to 211" combined length and width (the approximate overall length is 13 feet).

5 T653 Tailored Dust Cover 1

A lightweight indoor dust cover with an elasticated hem, fully tailored to follow the bodywork contours of your MGA. The lightweight cotton allows air circulation and prevents dust build-up.

6 T659 Universal Dust Cover 1

Keeping your MG in pristine condition when laid up over the winter is made easy when you have a suitable cover with which to protect it. The universal cover is economically priced, excellent value and fits all MG sportscar models.

Telephone: 01954 230928 Fax: 01954 231923, Buy Online: www.mgocspares.co.uk



MGA
1500, 1600
& 1600 MkII

ACCESSORIES:

TOURING

PAINT/UNDERSEAL

DECALS/CHASSIS PLATES

LUBRICANTS

CAR CARE

SERVICING

TUNING/TOOLS

TERMS & CONDITIONS



MGOC Spares & Accessories, Octagon House, Swavesey, Cambridge CB24 4QZ
Tel: 01954 230928 and 01954 231318 Email: sales@mgocspares.co.uk



MGA
1500, 1600
& 1600 MkII



2



1



3



6



5



4



11



12



14



13



7



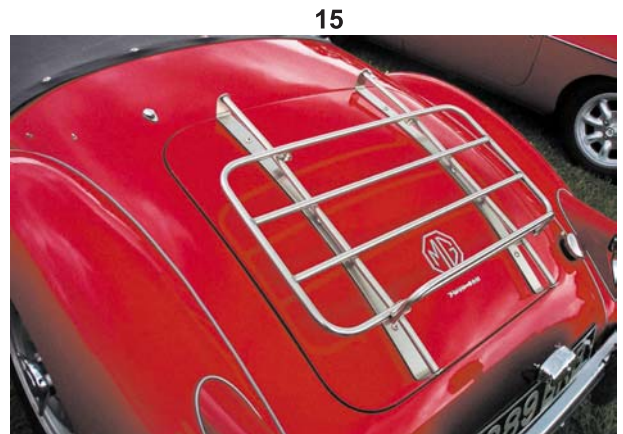
8



9



10



15

© 2007 MGOC Spares Ltd

Telephone: 01954 230928 Fax: 01954 231923, Email: sales@mgocspares.co.uk



MGA
1500, 1600
& 1600 MkII



1 A301 Body Protector - Folia Tec A/R
 Folia Tec self-adhesive film protects your paintwork from stone chips in low, vulnerable areas.

2 F009 Tow Bar Kit 1
 Specifically designed for the MGA, this tow bar kit is straight forward to fit and strong, attaching to the most appropriate mounting points on the car.

3 F020 Installation Kit - Tow Bar 1
 Including tow ball, chrome and black ball covers, wiring, socket, relay and interior warning light, this kit provides everything you need to fit out your F009 tow bar.

- | | | | | |
|----|------|--|---------|---|
| 4 | K150 | Petrol Can - 5 Litre | 1 | Polished stainless steel |
| 5 | M124 | Petrol Can - 5 Litre | 1 | Red plastic |
| 6 | M125 | Warning Triangle - E Approved | 1 | |
| 7 | M151 | Fire Extinguisher - Firemaster - 0.95Kg | 1 | |
| 8 | M152 | Fire Extinguisher - Firemaster - 1Kg | 1 | |
| 9 | M154 | Fire Extinguisher - Firemaster - 2Kg | 1 | |
| 10 | M155 | Fire Extinguisher - Alloy Effect - 0.6Kg | 1 | |
| 11 | M126 | Tow Rope - With Hooks | 1 | |
| 12 | M110 | Spare Bulb Kit | 1 | For halogen headlamp equipped cars |
| 12 | M111 | Spare Bulb Kit | 1 | For standard headlamp equipped cars |
| 13 | M112 | Headlamp Beam Deflector Mask Set | 1 | |
| 14 | K015 | GB Letters - Chrome | 1 | Letters fix by concealed lugs to bodywork |
| 14 | K016 | GB Letters - Stainless Steel | 1 | Self adhesive |

Of great practical use at home or abroad, many of these touring accessories are madatory in some countries. Make sure you are not caught out!

- 15 L060 Boot Rack - Stainless Steel 1
 15 L065 Boot Rack - Chrome 1

These two boot racks are produced to the original classic designs for the MGA in a choice of chrome or stainless steel.

Telephone: 01954 230928 Fax: 01954 231923, Buy Online: www.mgocspares.co.uk



MGA
1500, 1600
& 1600 MkII



1



2



3



4

5



6



7



16



8

9

10

11

12

13

14



15



17



20



18



19

21



© 2007 MGOC Spares Ltd

Telephone: 01954 230928 Fax: 01954 231923, Email: sales@mgocspares.co.uk



MGA

1500, 1600 & 1600 MkII



1 A001 Waxoyl Members' Pack A/R

The renowned anti-rust treatment, custom-packed for MG owners. The pack includes five litres of Waxoyl, cartridge can, pressure pump, spray gun and rubber grommets. Extra injection hole grommets for the car body are also available individually, if required, as are the applicators. Please contact MGOC Spares for details.

- 2 A001T Top Up Can - Waxoyl - 2.5 Litre A/R
- 3 A002 Top Up Can - Waxoyl - 5 Litre A/R
- 4 A004 Waxoyl Aerosol - 200ml A/R
- 5 A005 Waxoyl Aerosol - 400ml A/R
- 6 A010 Hammerite Paint - Black - 2.5 Litre Can A/R
- 6 A011 Hammerite Paint - Silver - 2.5 Litre Can A/R
- 6 A013 Hammerite Paint - Blue - 2.5 Litre Can A/R
- 6 A014 Smoothrite Paint - White - 2.5 Litre Can A/R
- 7 A017 Hammerite No.1 - 2.5 Litre Can A/R
- 8 A023 Hammerite Smooth Paint - Blue - 400ml A/R
- 9 A025 Hammerite Smooth Paint - Yellow - 400ml A/R
- 10 A020 Hammerite Smooth Paint - Black - 400ml A/R
- 11 A021 Hammerite Smooth Paint - Silver - 400ml A/R
- 12 A022 Hammerite Smooth Paint - Red - 400ml A/R
- 13 A024 Hammerite Smooth Paint - White - 400ml A/R
- 14 A026 Hammerite Smooth Paint - Green - 400ml A/R
- 15 A028 Chrome Look Paint Aerosol - 300ml .. A/R
- 16 A030 Engine Paint - Enamel - Black A/R
- 16 A031 Engine Paint - Enamel - MG Red A/R
- 16 A032 Engine Paint - Enamel - BMC Green .. A/R
- 16 A033 Engine Paint - Enamel - MGC Green . A/R

Smooth primer with anti-rust properties. Suitable for most top coats

Most original MGA body colours are available either in 400ml aerosol cans or in 40ml touch-up cans. The touch up cans include a brush built into the can lid. A vast range of other original MG colours are also available; please contact MGOC Spares for details.

- 17 A041AA Aerosol Paint - 400ml - Old English White A/R 1955-58 hue
- 17 A041AB Aerosol Paint - 400ml - Old English White A/R 1958-68 hue
- 17 A041CR Aerosol Paint - 400ml - Orient Red ... A/R
- 17 A041CL Aerosol Paint - 400ml - Chariot Red .. A/R
- 17 A041BK Aerosol Paint - 400ml - Mineral Blue .. A/R
- 17 A041BM Aerosol Paint - 400ml - Iris Blue A/R
- 17 A040AU Aerosol Paint - 400ml - Island Green .. A/R
- 17 A040AR Aerosol Paint - 400ml - Dove Grey A/R
- 17 A041AG Aerosol Paint - 400ml - Super Black .. A/R
- 18 A051AA Touch Up Paint - 40ml - Old English White A/R 1955-58 hue
- 18 A051AB Touch Up Paint - 40ml - Old English White A/R 1958-68 hue
- 18 A051CR Touch Up Paint - 40ml - Orient Red ... A/R
- 18 A051CL Touch Up Paint - 40ml - Chariot Red .. A/R
- 18 A051BK Touch Up Paint - 40ml - Mineral Blue . A/R
- 18 A051BM Touch Up Paint - 40ml - Iris Blue A/R
- 18 A050AU Touch Up Paint - 40ml - Island Green . A/R
- 18 A051AR Touch Up Paint - 40ml - Dove Grey ... A/R
- 18 A051AG Touch Up Paint - 40ml - Super Black .. A/R

Stone chip repair kits include all you need to carry out a professional stone chip repair: 3M 'Finesse It' finishing block, feather-edging discs and correct grade rubbing compound to flatten and polish. One can of touch up paint to your body colour is optionally available as part of the kit.

- 19 A055 Stone Chip Repair Kit A/R Does not include touch up paint
- 19 A055+ Stone Chip Repair Kit A/R Includes touch up paint; please specify colour required

Calliper paint kits include heat resistant two pack paint and pre-cleaner. Sufficient for 4 callipers:

- 20 A350 Calliper Paint Kit - Red 1
- 20 A350A Calliper Paint Kit - Black 1
- 20 A350S Calliper Paint Kit - Silver 1

Exact reproductions of the stickers, transfers, decals and plates originally to be found on your MGA are available in sets to take away the guesswork of what should be on your car. Each item is also available separately - please see the relevant sections in this catalogue for details.

- 21 A251 Decal and Plate Set 1 MGA Roadster
- 21 A252 Decal and Plate Set 1 MGA Coupe

Telephone: 01954 230928 Fax: 01954 231923, Buy Online: www.mgocspares.co.uk



MGA
1500, 1600
& 1600 MkII



13





MGA 1500, 1600 & 1600 MkII



- | | | | | |
|---|---------|--|-----|---|
| 1 | G770 | Castrol Valvemaster Plus | A/R | |
| Reduces pinking and knocking or the need to retune the engine when using unleaded fuel (raises octane rating). Treats 250 litres of fuel. | | | | |
| 2 | G601 | Castrol Classic XL30 - 4.5 Litres | A/R | Monograde engine oil for earlier MGs |
| | G611 | Castrol Classic XL30 - 25 Litres | A/R | |
| 3 | G600 | Castrol Classic XL 20w/50 - 4.5 Litres | A/R | Low detergent classic multigrade engine oil |
| 4 | G610 | Castrol Classic XL 20w/50 - 25 Litres | A/R | Supplied with 1 pint jug and drum tap |
| XL 20w/50, XL30 and Formula RS are all available in home workshop 25 litre drums. Delivery is free (UK mainland). The most economical supply of quality engine oil for your MG. | | | | |
| 5 | G605 | Castrol Classic R40 - 4.5 Litres | A/R | High performance castor-based engine oil with distinctive aroma |
| | G606 | Castrol Formula RS 10w/60 - 20 Litre | A/R | High performance fully synthetic engine oil |
| | G657 | Castrol Running In Oil - 5 Litres | A/R | First fill for remanufactured engines |
| 6 | G700 on | Castrol Classic Pouring Jug | A/R | Half, one or two pint sizes, or set of three |
| 7 | G621 | Castrol EP90 Gear Oil - 1 Litre | A/R | For gearboxes and differentials requiring SAE90 |
| 8 | G620 | Castrol EPX80w/90 Gear Oil - 1 Litre | A/R | For differentials requiring SAE 80W/90 |

In addition, lifestyle accessories each bearing the classic Castrol logo tell others that you use the best lubricants in your MG:

- | | | | | |
|----|---------|--|-----|--|
| 9 | G750 | Race Cap - Castrol | A/R | 100% cotton with embroidered logo |
| 10 | G725 on | Lapel Badge - Wakefield Castrol | A/R | Enamelled chrome; available in different sizes |
| 11 | G720 | Key Fob - Wakefield Castrol | A/R | Enamelled chrome with leather fob |
| 12 | G752 | Woven Race Decal - Castrol Classic | A/R | Cloth overall motif in 60s racing theme |
| 13 | G732 on | T Shirt - Castrol Classic | A/R | Quality cotton in M, L or XL size |

Choose from a range of brake/clutch fluids specially selected for road or competition use:

- | | | | |
|----|-----------|--|-----|
| 14 | 1774 | Castrol - Response - Dot 4 - 1 Litre | A/R |
| 14 | 1774/6610 | Castrol - Response - Dot 4 - 500ml | A/R |
| 15 | 1775 | Castrol - Response - Super Dot 4 - 1 Litre | A/R |
| 16 | 1767 | Castrol - SRF - 1 Litre | A/R |
| 17 | F195 | Silicone Brake Fluid - 1 Litre | A/R |
| 17 | F196 | Silicone Brake Fluid - 500ml | A/R |

- | | | | |
|--|------|---------------------------------------|-----|
| 18 | G231 | Water Wetter - 335ml Bottle | A/R |
| Lowers engine temperature by up to 15°C. One bottle treats 15 litres of coolant. | | | |

- | | | | |
|--|------|----------------------------------|-----|
| 19 | G230 | Forlife Radiator Fluid | A/R |
| Protects against corrosion and scale, preserves hoses and gives frost protection down to -42°C. Maintains properties for 10 years. | | | |

- | | | | | |
|----|------|---|-----|---------------------------------------|
| 20 | G649 | Castrol Brake Cleaner - 400ml Aerosol | A/R | |
| 21 | C097 | Exhaust Jointing Seal | A/R | |
| 22 | A140 | Wellseal Jointing Compound - 100ml Tube | A/R | Non-hardening, non-flammable compound |

Forte Liquid Maintenance is a range of automotive problem solving treatments for professional or home workshop use, for classic and modern MGs:

- | | | | |
|----|------|--|-----|
| 23 | A500 | Forte Gas Treatment - 400ml | A/R |
| 23 | A501 | Forte Carb and Injector Cleaner - 400ml | A/R |
| 23 | A502 | Forte Diesel Conditioner - 400ml | A/R |
| 23 | A505 | Forte Diff and Gear Treatment - 125ml | A/R |
| 23 | A507 | Forte Seal Conditioner - 125ml | A/R |
| 23 | A510 | Forte Motor Flush - 400ml | A/R |
| 23 | A512 | Forte Oil Treatment - 400ml | A/R |
| 23 | A513 | Forte Oil Fortifier - 400ml | A/R |
| 23 | A514 | Forte Top End Treatment - 400ml | A/R |
| 23 | A520 | Forte Radiator Stop Leak - 500ml | A/R |
| 23 | A521 | Forte Cooling System Flush - 500ml | A/R |
| 23 | A522 | Forte Cooling Conditioner - 500ml | A/R |
| 23 | A530 | Forte Auto Gearbox Treatment - 125ml | A/R |
| 23 | A540 | Forte Bio Degreaser - 400ml | A/R |
| 23 | A550 | Forte Power Steering Treatment - 75ml | A/R |
| 23 | A560 | Forte Air Intake Cleaner - 400ml | A/R |
| 23 | A570 | Forte Air Conditioning Treatment - 200ml | A/R |

- | | | | |
|--|------|---------------------------------------|-----|
| 24 | A095 | Toughseal Alloy Wax - 500ml | A/R |
| Cleans, polishes and protects alloy, chrome and highly polished wheels, all in one | | | |

The Turtle Wax Platinum Series range of car care products is highly recommended and is available as individual products or as a valeting kit comprising car wax, car wash, tar, tree sap and insect remover, wheel cleaner (chrome friendly), tyre dressing and cockpit shine, each in 500ml containers. Further Turtle Wax car care products are also available for chrome polishing, leather and other upholstery cleaning and conditioning etc. Please contact MGOC Spares for details.

- | | | | |
|----|------|--|-----|
| 25 | A400 | Club Car Valeting Kit | A/R |
| 26 | A435 | Tyre Dressing - Turtle Wax - 500ml | A/R |
| 27 | A450 | Cockpit Shine - Turtle Wax - 500ml | A/R |
| 28 | A460 | Tar, Tree Sap and Insect Remover - 500ml | A/R |
| 29 | A405 | Car Wax - Turtle Wax - 500ml | A/R |
| 30 | A445 | Wheel Cleaner - Turtle Wax - 500ml | A/R |
| 31 | A425 | Car Wash - Turtle Wax - 500ml | A/R |

Periodical Maintenance Table

Note: The periodical maintenance table shows the maintenance schedule advised by the MG Car Company in their technical publications at the time of MGA production. It therefore relates to cars in regular use, as they would have been at the time, and does not account for occasional use or cars which are stored for some time. Some interpretation may therefore be necessary to account for typical MGA use today. It is suggested that for cars covering low annual mileages, the 1000 mile service should be carried out at 1 month intervals while the car is in use, the 3000 mile service at 3 month intervals, and so on.

In addition to the periodical maintenance described in the table, the following checks should be made weekly:

- Check oil level in engine and top up if necessary.
- Check water level in radiator and top up if necessary.
- Check brake fluid level and top up reservoir if necessary.
- Check battery electrolyte level and top up if necessary.
- Check windscreen washer reservoir and top up if necessary.
- Check function of original equipment: exterior lamps, wipers and indicators.
- Check tyres for tread depth and any damage, including cuts in fabric, exposure of carcass, lumps or bulges.
- Check tyre pressures, including spare, and regulate if necessary.
- Check tightness of wheel fastenings.

MAINTENANCE PERIODS	1000 Miles (1600 Km)	3000 Miles (5000 Km)	6000 Miles (10000 Km)	12000 Miles (20000 Km)
Engine				
Top up carburettor piston dampers	X	X	X	
Remove carburettor suction chambers and pistons, clean, re-assemble and top up				X
Remove carburettor float chambers, empty sediment and refit				X
Lubricate carburettor controls	X	X	X	X
Top up radiator	X	X	X	
Drain, flush out and refill radiator				X
Clean and re-oil air cleaner elements		X	X	X
Check dynamo drive belt tension		X	X	X
Lubricate water pump sparingly			X	X
Check valve rocker clearances and adjust if necessary			X	X
Clean fuel pump and carburettor filters			X	X
Ignition				
Check automatic ignition control, lubricating drive shaft, cam and advance mechanism		X	X	X
Check distributor contact points and adjust if necessary		X	X	X
Clean and adjust spark plugs		X	X	
Fit new spark plugs				X
Brakes				
Check brake pedal free travel and adjust brakes if required	X	X	X	X
Make visual inspection of brake lines and pipes and check reservoir fluid level	X	X	X	X
Suspension and Steering				
Examine all shock absorbers for leaks and top up if necessary	X	X	X	X
Tighten rear road spring seat bolts			X	X
Check suspension and steering moving parts for wear				X
Body				
Lubricate door hinges, bonnet lock and operating mechanisms		X	X	X
Check and tighten if necessary door hinges and striker plate securing screws			X	X
Electrical				
Check battery cell specific gravity readings and top up to correct level	X	X	X	X
Lubricate dynamo bearing				X
Check headlamp beam setting and reset if necessary				X
Lubrication				
Top up oil level in engine	X			
Change engine oil		X	X	
Drain and flush out engine, filling with fresh oil				X
Fit new oil filter element			X	X
Top up oil levels in gearbox and rear axle	X	X		
Change gearbox and rear axle oils			X	X
Lubricate all nipples (except steering rack)	X	X	X	X
Lubricate steering rack				X
Re-pack front hub grease caps			X	X
Lubricate speedometer and tachometer drive cables				X
Wheels and Tyres				
Check tyre pressures and check wheel nuts for tightness	X	X	X	X
Change wheels round diagonally, including spare, to regularize tyre wear		X	X	X
Check wheel alignment			X	X

Lubrication Chart

Note: Ensure that the car is standing on a level surface when checking the oil levels.

Every 250 Miles (400Km)

- 1 ENGINE. Check the oil level with the dipstick and replenish if necessary with Castrol Classic XL20w/50 oil.

Every 1000 Miles (1600Km)

- 2 GEARBOX. Check the oil level with the dipstick and replenish if necessary with Castrol Classic XL20w/50.
- 3 REAR AXLE. Remove the filler plug and replenish to the filler plug level with Castrol EP90 oil.
- 4 STEERING. Give three or four strokes of grease gun filled with Castrol LM grease to the nipples on the steering joints.
- 5 PROPELLER SHAFT. Give the coupling and sliding joint nipples (as fitted) three or four strokes of grease gun filled with Castrol LM grease.
- 6 HANDBRAKE. Give the cable nipples three or four strokes of grease gun filled with Castrol LM grease.
- 7 CARBURETTORS. Remove the cap from the top of each suction chamber and add a few drops of SU Carburetter Damper Oil.
- 8 HYDRAULIC SYSTEM. Inspect the fluid level in the master cylinder and replenish if necessary with similar grade of fluid to that already in the system.

Every 3000 Miles (5000Km)

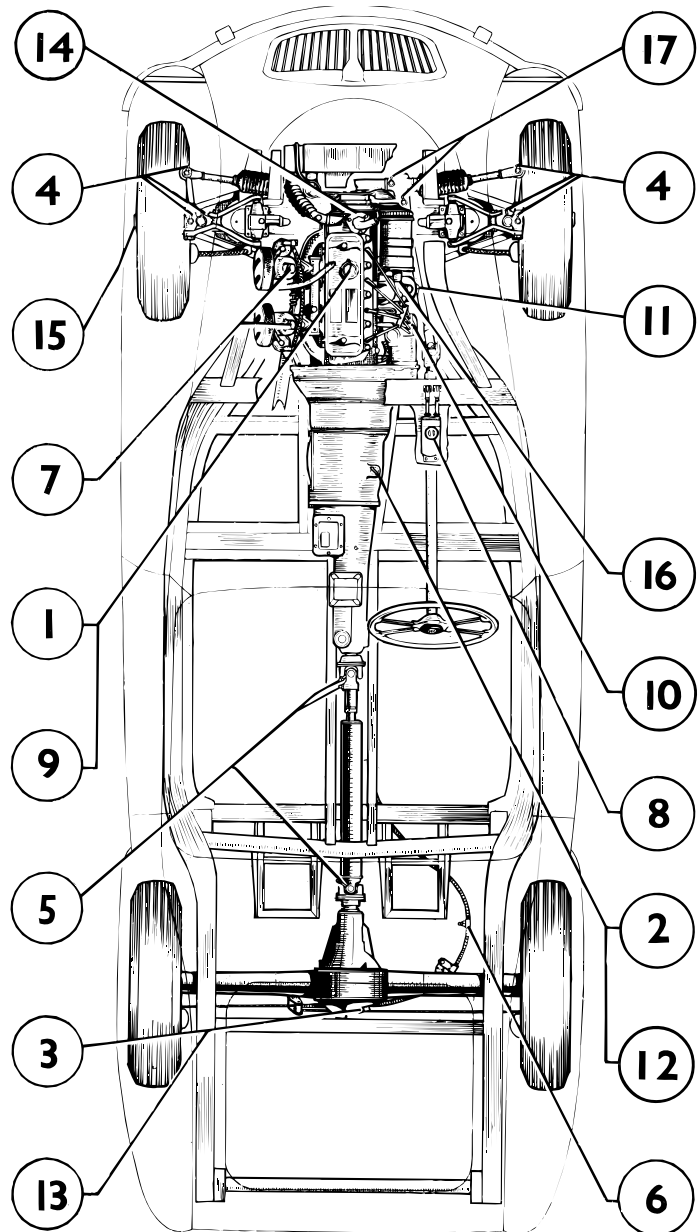
- 9 ENGINE. Drain off the old oil from the sump and refill with fresh Castrol Classic XL20w/50 oil.
CONTROL JOINTS, DOOR LOCKS, HINGES. Lubricate with oilcan filled with light oil.

Every 6000 Miles (10000Km)

- 10 DISTRIBUTOR. Withdraw the rotor arm and add a few drops of light oil to the cam bearing and advance mechanism, through the gap around the cam spindle. Add a spot of oil to the contact breaker pivot and smear the cam lightly with Castrol LM grease.
- 11 OIL FILTER. Release the filter bowl, wash in fuel and fit a new element.
- 12 GEARBOX. Drain off the old oil and refill with fresh Castrol Classic XL20w/50.
- 13 REAR AXLE. Drain off the old oil and refill with fresh Castrol EP90.
- 14 WATER PUMP. Remove the oiling plug (if fitted) from the water pump and lubricate sparingly with Castrol LM grease.
- 15 FRONT HUBS. Prise off the hub grease retaining cap, refill the cap with Castrol LM grease and replace securely.

Every 12000 Miles (20000Km)

- 16 DYNAMO. Add a few drops of light oil through the oil hole in the commutator end bearing.
- 17 STEERING. Give up to ten strokes to the nipple on the rack housing and two strokes only to the pinion shaft nipple with Castrol EP90.





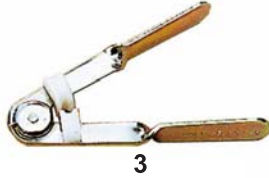
MGA
1500, 1600
& 1600 MkII



1



2



3



4



6



5



7



8



9



10



11



12



13



14



15



16



7



18



19



20

© 2007 MGOC Spares Ltd

Telephone: 01954 230928 Fax: 01954 231923, Email: sales@mgocspares.co.uk



MGA
1500, 1600
& 1600 MkII



- 1 F199 Brake Hose Clamp 1
- 2 T4 Girling Shoe Horn 1
- 3 F197 Pipe Bending Tool - Small 1
- 3 F198 Pipe Bending Tool - Large 1
- 4 T2 Girling Retraction Tool 1
- 5 F305 Car Polisher 1

Brake shoe lever tool makes easy work of brake shoe replacement

Designed to replace brake pads without damaging calliper pistons

This mains-operated orbital motion car polisher has a 24cm polishing head supplied with a cotton bonnet for applying polish and a soft wool bonnet for buffing. This is the effortless way to restore your paintwork to a showroom shine.

- 6 Z015 Carburetter Tuning Tool Kit - SU 1
- 7 Z067 Panel Cutter 1
- 8 Z090 Trolley Jack - 2 Ton Capacity 1
- 9 Z094 Axle Stands - Pair - 1500Kg Capacity 1
- 10 Z091 Bottle Jack - Hydraulic - 2000Kg Capacity 1
- 11 Z120 on Mechanics Mate Wing Cover - Non-Slip A/R

Original style set of exactly the right tools for your carburetters
Attaches to power drill and cuts cleanly through steel body panels
Ideal for home workshop use
Adjustable to maximum height of 370mm
Lift height from 181mm to 346mm

Mechanics Mate covers are made from machine-washable nylon with a non-slip padded backing and featuring an MG logo. Choose from 76 or 120cm long versions - please contact MGOC Spares for details.

- 12 Z200 MG Tool Roll - Includes 15 Tools 1

Specially selected for MG use, the canvas 15 compartment tool roll contains the following quality tools: 7" combination pliers, 6 imperial spanners in the most commonly used sizes, spark plug wrench, spark plug brush, Posidrive and slotted screwdrivers, feeler gauge set, tyre gauge, circuit tester and adjustable wrench.

MGOC Spares offer the range of Gunsons tuning products to help tune your MG for peak economy and performance:

- 13 Z013 Tappet Adjuster - Gunsons 'Clik-Adjust' 1
- 14 Z011 Advance Xenon Timing Light - Gunsons 1
- 15 Z010 Gastester - Gunsons 1
- 16 Z004 Carbalancer - Gunsons 1
- 17 Z005 Colortune - Gunsons 1
- Z005A Adaptor Kit - 10mm - Colortune 1
- Z005B Adaptor Kit - 12mm - Colortune 1
- Z005E Adaptor Kit - 18mm - Colortune 1
- 18 Z009 Hi-Gauge - Gunsons 1
- 19 Z008 Autoranger - Gunsons 1
- 20 Z012 Eezibleed - Gunsons 1

Micrometer tappet adjuster for absolutely precise clearance
Stroboscopic light powered by the car battery for perfect dynamic timing
Analyses exhaust CO level
Helps equalise air flow through multiple carburetters
Use Colortune to ensure perfect air/fuel mixture

For compression testing cylinders
Multi-functional meter for revs, dwell angle, voltage, current and resistance
Automatic hydraulic brake and clutch bleeding kit

Telephone: 01954 230928 Fax: 01954 231923, Buy Online: www.mgocspares.co.uk

TERMS & CONDITIONS OF SALE

1. All orders must be paid for prior to despatch unless other arrangements have been made.
2. All products supplied carry the manufacturer's warranty. This does not affect your statutory rights. When notifying a claim for faulty products, the original invoice number must be quoted.
3. All parts offered subject to availability. We reserve the right to alter prices without notice. All part numbers, illustrations and photographs used in our catalogues are intended for reference/identification purposes only, and are not necessarily an exact representation of the goods supplied. Whilst we make every effort to ensure the accuracy of product descriptions in our catalogues, they are based upon information supplied by the manufacturer/distributor at the time of publication.
4. All mail order parts are insured in transit either by ourselves, or our appointed carrier. Claims for shortages or damage must be notified to us within 24 hours of timed receipt of order.
5. We are unable to replace damaged goods if they have been signed for "Received in Good Condition". Do not sign until you have verified the condition of the consignment.
6. Retention of goods for a period of seven days or fitment will be taken as acceptance of the above conditions.
7. All goods supplied remain the property of MGOC (Spares) Ltd, until paid for in full.

WARRANTY

All products are fully warranted against defects in materials and workmanship. Please contact us immediately if any problem occurs within the warranty period. (12 months from the date of invoice) Claims are limited to the cost of the warranted component and do not extend to cover garage labour, delivery or any other consequential costs. No warranty claim will be accepted if failure is caused by misuse, neglect, overheating (engines), incorrect installation, or failure of a related component. Any replacement under warranty will have the benefit of the outstanding balance of the warranty given with original product. With any claim or correspondence, a copy of the purchase invoice must be produced. The warranty is in addition to, and does not detract from your statutory right as a consumer.

OTHER RETURNS FOR CREDIT OR EXCHANGE

Where we have correctly supplied a part as ordered, but find it is not the one you really needed, you may return it for exchange. If you require credit instead of exchange, there is a returns handling charge (usually 15%) to cover administration and stores costs. This charge is waived if the value of the return is offset against another order. The original invoice must accompany the goods returned and be within 1 month of purchase. Every effort is made to process returns as quickly and efficiently as possible, though in busy periods this could take up to 2 weeks. Please supply as much information as possible when making a return i.e. Membership No, Invoice No, reason for return etc, otherwise a delay may be incurred.

EXCHANGE DEPOSITS

When reconditioned or new products are sold on an exchange basis, an exchange deposit (sometimes called a surcharge) is applied. This is refunded to you when your old unit is received by us and checked to establish its suitability for reconditioning. The system allows you to have exchange replacement parts fitted thereby reducing garage bills for specialist reconditioning, and minimises the time your vehicle is off the road. Exchange Deposits are refunded in full except where returned components are incomplete, cracked or broken, thereby rendering them unserviceable for reconditioning. In such cases we reserve the right to retain all or part of the exchange deposit. When returning your old unit, always label it with your name, address, invoice number, and any exchange label provided for that purpose. Make sure old units are drained of oil, water, brake fluid etc. and packed properly for transport. Owing to the rarity of a certain few MG components, these can only be exchanged on a "one for one" basis. It may be that your component will be required for reconditioning and returned to you upon completion.

Continue ►



MGOC Spares and Accessories
recommend and stock the
Castrol Classic range of lubricants.



MG trademark reproduced under
BMH License

© 2018 MGOC Spares Ltd

**Octagon House, Swavesey
Cambridge
CB24 4QZ**