



Thank you for loading the MGOC Spares & Accessories Compact Disc, featuring our unrivalled range of quality parts and accessories. We are sure that you will find this major club benefit valuable when ordering parts and maintaining your MG.

This CD contains the following:

- Fully illustrated Parts Catalogue for MG TD and TF Series Midgets, 1950 to 1955
- The MGOC range of original MG parts, MGB performance upgrades and optional accessories
- MGOC PRICE LOOK UP System. Look up by part number and create your order to email, telephone, fax or post
- Useful web links to Buy Online at www.mgocspares.co.uk

OUR SERVICE. We pride ourselves on offering the finest quality MG components available and continually strive to maintain our 5 Star level of service.

Our MGOC technical telephone personnel are MG enthusiasts, best placed to assist with any question relating to our products.

For full details of our terms & conditions of sale, warranty, returns, exchanges and exchange deposits [Click here](#).

Sales & Ordering

Tel: +44 (0)1954 230928 or +44 (0)1954 231318

Fax: +44 (0)1954 231923 or +44 (0)1954 231073

Email: sales@mgocspares.co.uk

Buy Online at www.mgocspares.co.uk

MGOC Spares & Accessories.
Octagon House, Swavesey,
Cambridge
CB24 4QZ

© 2008 MGOC Spares Ltd

No part of this CD may be reproduced unless with prior written consent of MGOC Spares Ltd

Continue ►



MGOC Spares & Accessories is a department of MG Owners Club



MG trademark reproduced under BMH licence

ENGINE:

ENGINE BLOCK

INTERNAL ENGINE

CYLINDER HEAD

WATER PUMP, HOSES & FAN

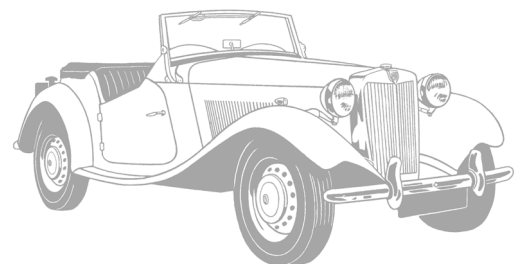
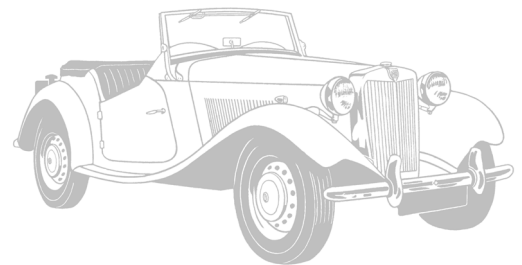
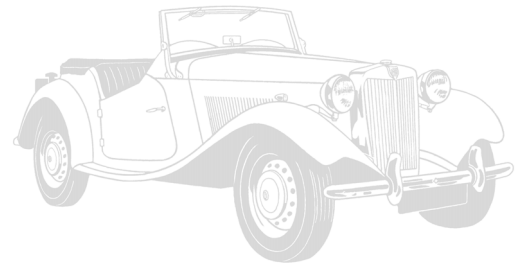
OIL PUMP & FILTER

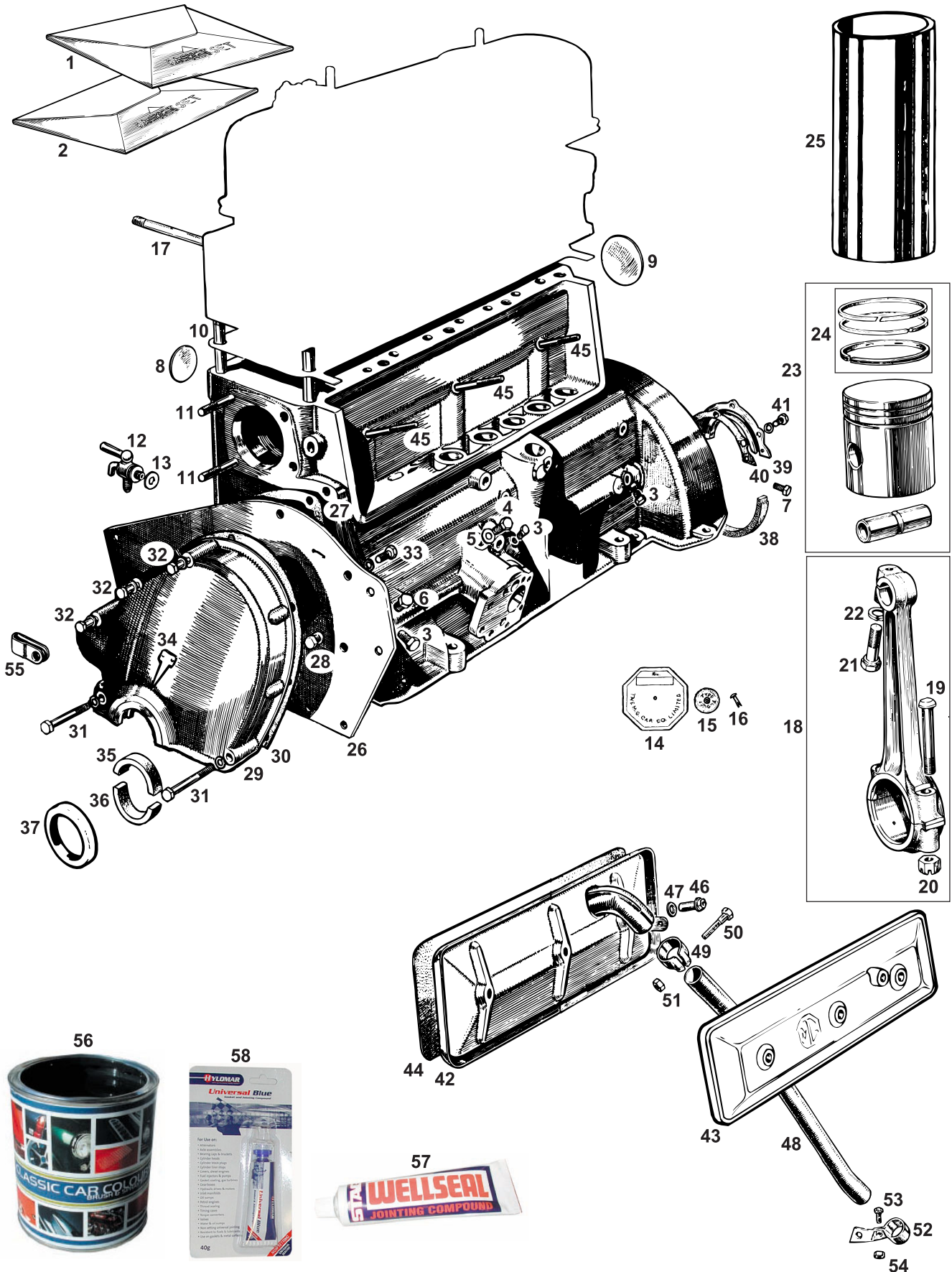
OIL COOLER

ENGINE ELECTRICS

ENGINE CONTROLS

ENGINE MOUNTINGS





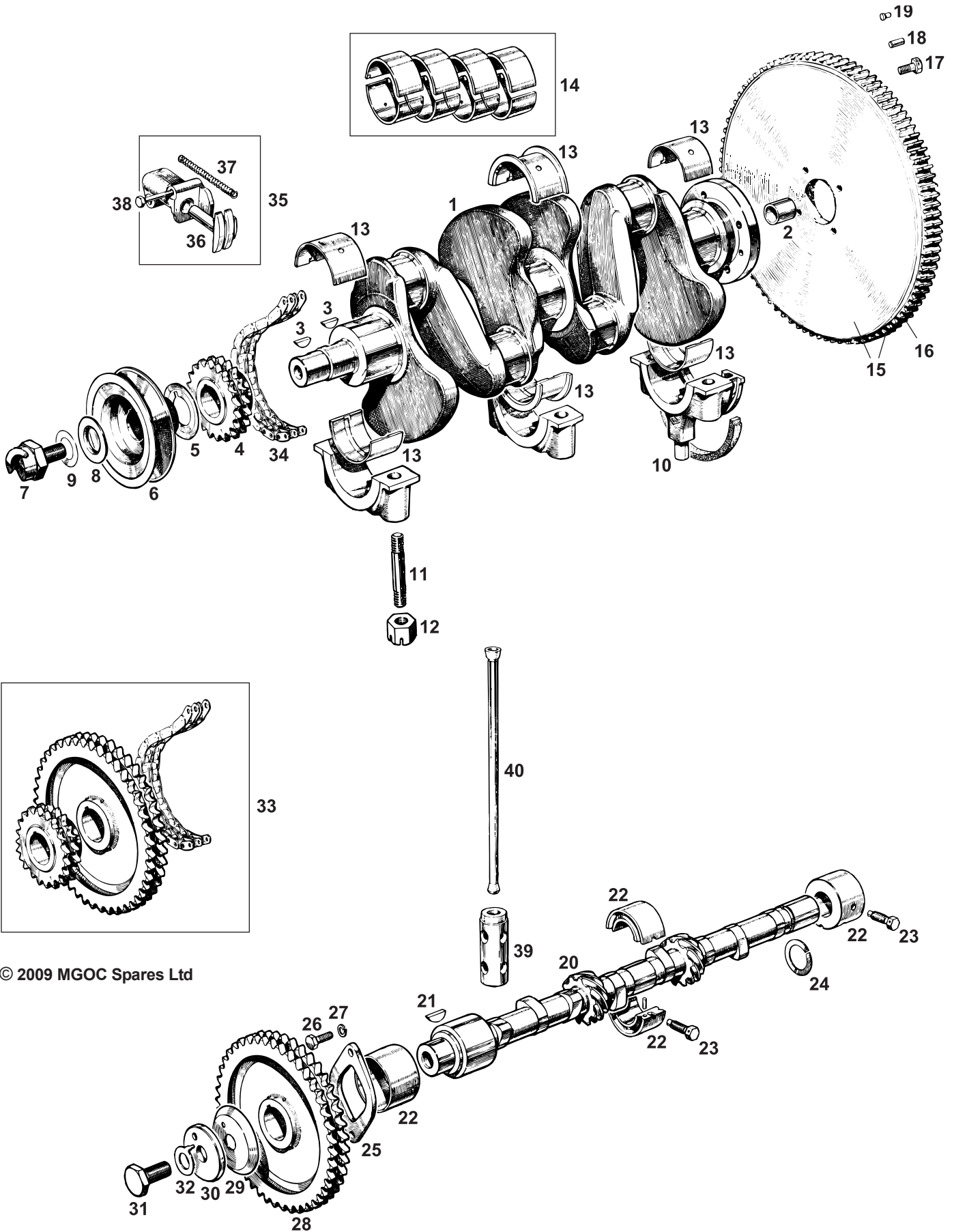


**MG TD
&
MG TF**



1	AAA5841K	Gasket Set - Cylinder Head (top end)1			
1	AAA3075K	Gasket Set - Cylinder Head (top end)1			TD to eng. no. 22734, 1250cc (oval coolant hole)
1	AEF141	Gasket Set - Cylinder Head (top end)1			TD from eng. No. 22735, TF, 1250cc (round coolant hole)
2	AAA5659K	Gasket Set - Engine (bottom end)1			TF 1500cc
3	X22968	Plug - Oil feed5			
4	X20247	Plug - Oil By Pass1			
5	JA5411	Washer - Fibre1			
6	X22732	Plug - Oil Gallery - Front1			
7	AAA5347	Plug - Oil Gallery - Rear1			
8	CA1056	Core Plug - Small6			
9	AAA5561	Core Plug - Large2			
10	AAA5512	Stud - Cylinder Head10			
11	AAA5523	Stud - Water Pump2			
12	3H2724	Tap - Water Drain1			
13	JA5411	Washer - Fibre1			
14	BML????	Plate - Engine Number - Blank1			
15	BML????	Button - Engine Type - XPAG1			TD, TF 1250cc
15	BML????	Button - Engine Type - XPEG1			TF 1500cc
16	BML????R	Rivet - Number Plate and Button1			
17	AAA5773	Stud - Manifold4			
18	SA2405	Connecting Rod4			TD, TF 1250cc
18	AEF7	Connecting Rod4			TF 1500cc
19	AEF123	Bolt - Connecting Rod8			
20	AEF131	Nut - Connecting Rod8			
21	CA1009	Pinch Bolt - Connecting Rod4			
22	CA1283	Washer - Spring4			
23	AEG14	Piston - Set of 4 - 3 Ring Solid Skirt Type1			TD, TF 1250cc original type; state size required Std/+20/+30/+40/+60/+80
23	18546	Piston - Set of 4 - 3 Ring Solid Skirt Type1			TD, TF overbored to 1348cc type; state size reqd Std/+20 ('+100/+120')
23	14136	Piston - Set of 4 - 4 Ring Split Skirt Type1			TD, TF 1250cc Hepolite type; state size required Std/+20/+30/+40/+60
23	AEF6	Piston - Set of 4 - 3 Ring Solid Skirt Type1			TF 1500cc original type; state size required Std/+20/+30/+40/+60
23	12755	Piston - Set of 4 - 4 Ring Split Skirt Type1			TF 1500cc Hepolite type; state size required Std/+20/+40
24	AEG140	Piston Rings - Engine Set - 3 Ring Type1			TD, TF 1250cc original type; state size reqd Std/+20/+30/+40/+60/+80/+100/+120
24	RA1184	Piston Rings - Engine Set - 4 Ring Type1			TD, TF 1250cc Hepolite type; state size required Std/+20/+30/+40/+60
24	AEF120	Piston Rings - Engine Set - 3 Ring Type1			TF 1500cc original and Hepolite type; state size reqd Std/+20/+30/+40/+60
25	CLX1250	Cylinder Liner4			TD, TF 1250cc
25	CLX1500	Cylinder Liner4			TF 1500cc
26	AAA5793	Front Plate - Engine1			
27	AAA5668	Gasket - Front Plate to Engine1			
28	AAA5343	Bolt - Front Plate to Engine2			
29	SA2423/2	Cover - Timing Chain1			
30	AAA5820	Gasket - Timing Chain Cover to Engine1			
31	AAA5231	Bolt - Long - Cover to Engine2			
32	AAA5286	Bolt - Medium - Cover to Engine3			
33	X15012	Bolt - Short - Cover to Engine2			
34	X24291	Indicator - Top Dead Centre1			
35	AEG125	Oil Seal - Crankshaft Front - Upper1] Original rope type seal
36	AEG126	Oil Seal - Crankshaft Front - Lower1			
37	AEG133	Oil Seal - Crankshaft Front1			
38	AAA5611	Oil Seal - Crankshaft Rear1			
39	AAA5613	Oil Thrower - Rear Main Upper1			
40	AAA5614	Gasket - Oil Thrower to Engine1			
41	JA5384	Bolt - Oil Thrower to Engine3			
42	AAA5818	Cover Plate - Tappet Chest1			Original type
43	?????	Cover Plate - Tappet Chest1			Cast alloy type
44	AAA5789	Gasket - Tappet Chest Cover Plate1			
45	AAA5595	Stud - Tappet Chest Cover Plate3			
46	AAA5596	Nut - Cover Plate Stud3			
47	AEC787	Washer - Fibre3			
48	AAA5809	Breather Pipe - Engine1			
49	AEB149	Clamp - Breather Pipe - Upper1			
50	CA1263	Pinch Bolt - Upper Clamp1			
51	CA1254	Nut - Upper Clamp1			
52	AAA5770	Clamp - Breather Pipe - Lower1			
53	AJD6155Z	Bolt - Lower Clamp1			
54	CA1254	Nut - Lower Clamp1			
55	AEH550	Clip - Carburettor Overflow Pipes1			
56	A030	Engine Paint - Black A/R			
56	A031	Engine Paint - Red A/R			
56	A032	Engine Paint - BMC Green A/R			
56	A033	Engine Paint - MGC Green A/R			
57	A140	Wellseal Jointing Compound - 100ml A/R			Non-hardening, non-flammable compound
58	A120	Blue Hylomar - 40g A/R			
58	A121	Blue Hylomar - 100g A/R			

Telephone: 01954 230928 Fax: 01954 231923, Email: sales@mgocspares.co.uk
Buy Online at www.mgocspares.co.uk



© 2009 MGOC Spares Ltd



**MG TD
&
MG TF**



1	AAA3105	Crankshaft - New	1
1	AAA3105E	Crankshaft - Reground - Exchange	1
2	1G765	Bush - Spigot - Crankshaft	1
3	WKN505	Key - Woodruff	2
4	AAA5664	Sprocket - Crankshaft	1
5	AAA5278	Oil Thrower - Crankshaft	1
6	AAA5779	Pulley - Crankshaft	1
7	AAA5279	Bolt - Crankshaft - With Starter Dog	1
8	AAA5349	Washer - Crankshaft Bolt	1
9	AEC765	Shim - Starter Dog Alignment	A/R
10	X22748	Pipe - Rear Main Bearing Cap	1
11	LA7104	Stud - Main Bearing Cap	6
12	CA1043	Nut - Main Bearing Cap	6
13	AJG4002	Bearing Set - Main	1
14	AJG4003	Bearing Set - Big End	1
15	SA2252/1E	Flywheel with Ring Gear - Reconditioned	1
15	SA2252/2E	Flywheel with Ring Gear - Reconditioned	1
16	AAA5832	Ring Gear - 10 3/8" Internal Diameter	1
16	AAA3048	Ring Gear - 10 3/4" Internal Diameter	1
17	AAA5243	Bolt - Flywheel to Crankshaft	4
18	AAA5703	Dowel - Flywheel to Crankshaft	2
19	AEG3101	Dowel - Clutch Cover to Flywheel	2
20	AAA3096	Camshaft - Standard Tune	1
21	WKN505	Key - Woodruff	1
22	AAA5618K	Bearing Set - Camshaft	1
23	AAA5621	Bolt - Centre and Rear Cam Bearings	2
24	AAA5662	Circlip - Camshaft - Rear	1
25	AAA5619	Thrust Plate - Camshaft - Front	1
26	AAA5326	Bolt - Thrust Plate	2
27	CA1282	Washer - Spring	2
28	AAA5666	Sprocket - Camshaft	1
29	AAA5658	Oil Thrower - Camshaft	1
30	AAA5617	Washer - Sprocket	1
31	AAA5788	Bolt - Sprocket	1
32	AAA5593	Tab Washer - Sprocket Bolt	1
33	X22571K	Timing Chain and Sprocket Kit	1
34	X22571	Timing Chain	1
35	AAA5790K	Timing Chain Tensioner Assembly	1
36	AAA5790	Pad - Timing Chain Tensioner	1
37	AAA5540	Spring - Timing Chain Tensioner	1
38	AAA5792	Bolt - Timing Chain Tensioner	1
39	AEG127	Cam Follower	8
40	AAA3080	Push Rod	8

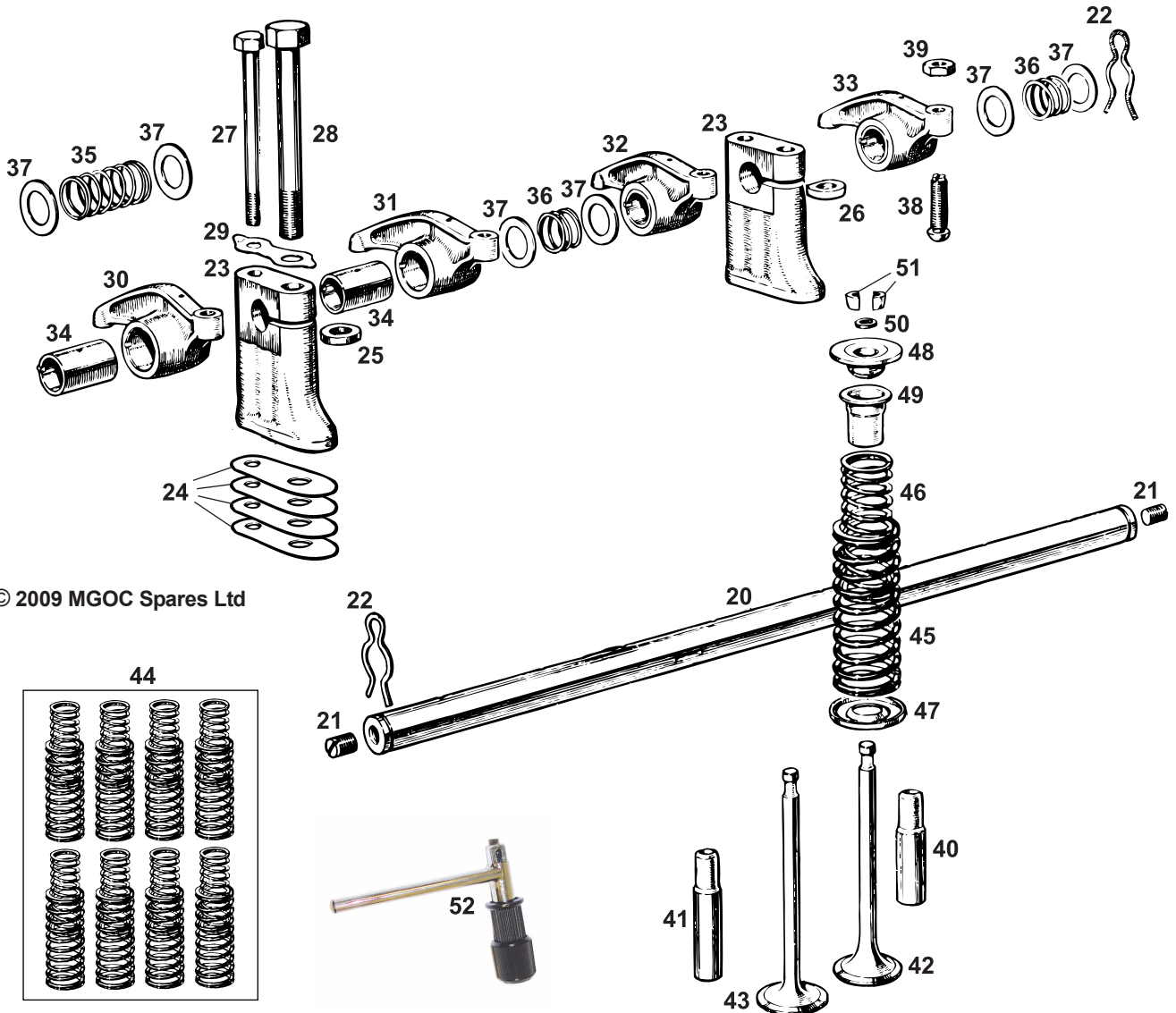
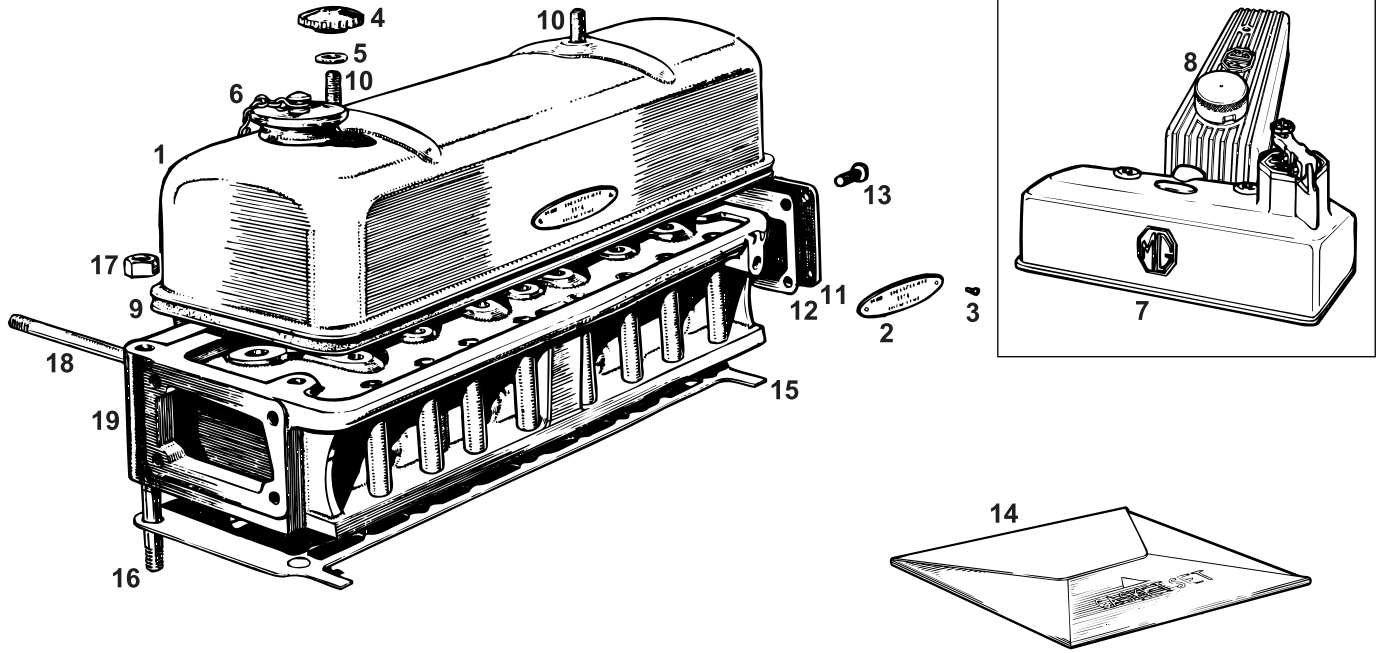
Please contact MGOC Spares for current specification details

} State sizes required Std/+10/+20/+30/+40/+50/+60

TD to eng. no. 9407 (7 1/4" clutch); customer's own unit reconditioned
 TD from eng. no. 9408, TF (8" clutch); customer's own unit reconditioned
 TD to eng. no. 9407
 TD from eng. no. 9408, TF

Includes timing chain plus both sprockets

**Telephone: 01954 230928 Fax: 01954 231923, Email: sales@mgocspares.co.uk
 Buy Online at www.mgocspares.co.uk**



© 2009 MGOC Spares Ltd

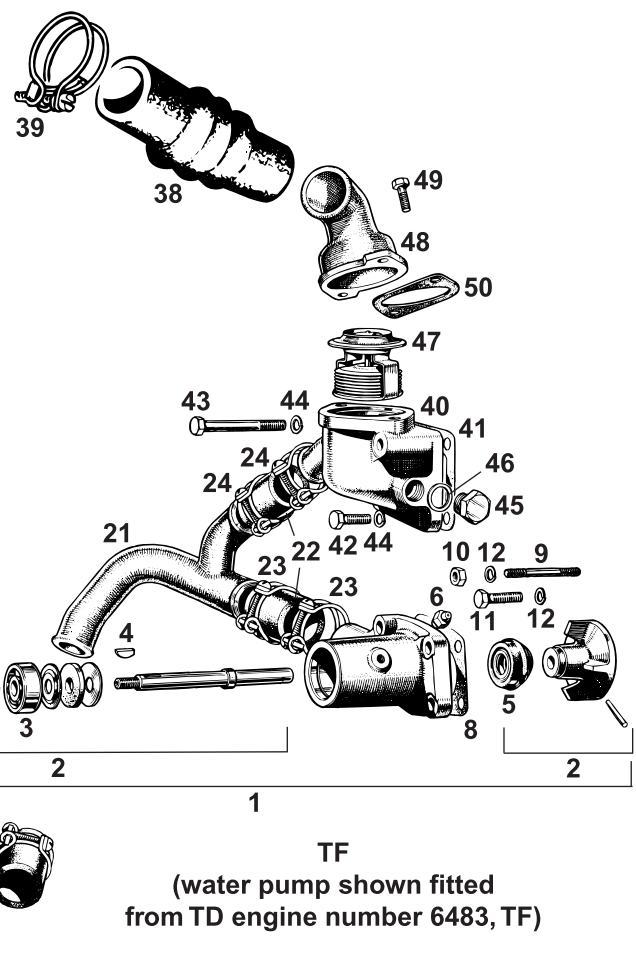
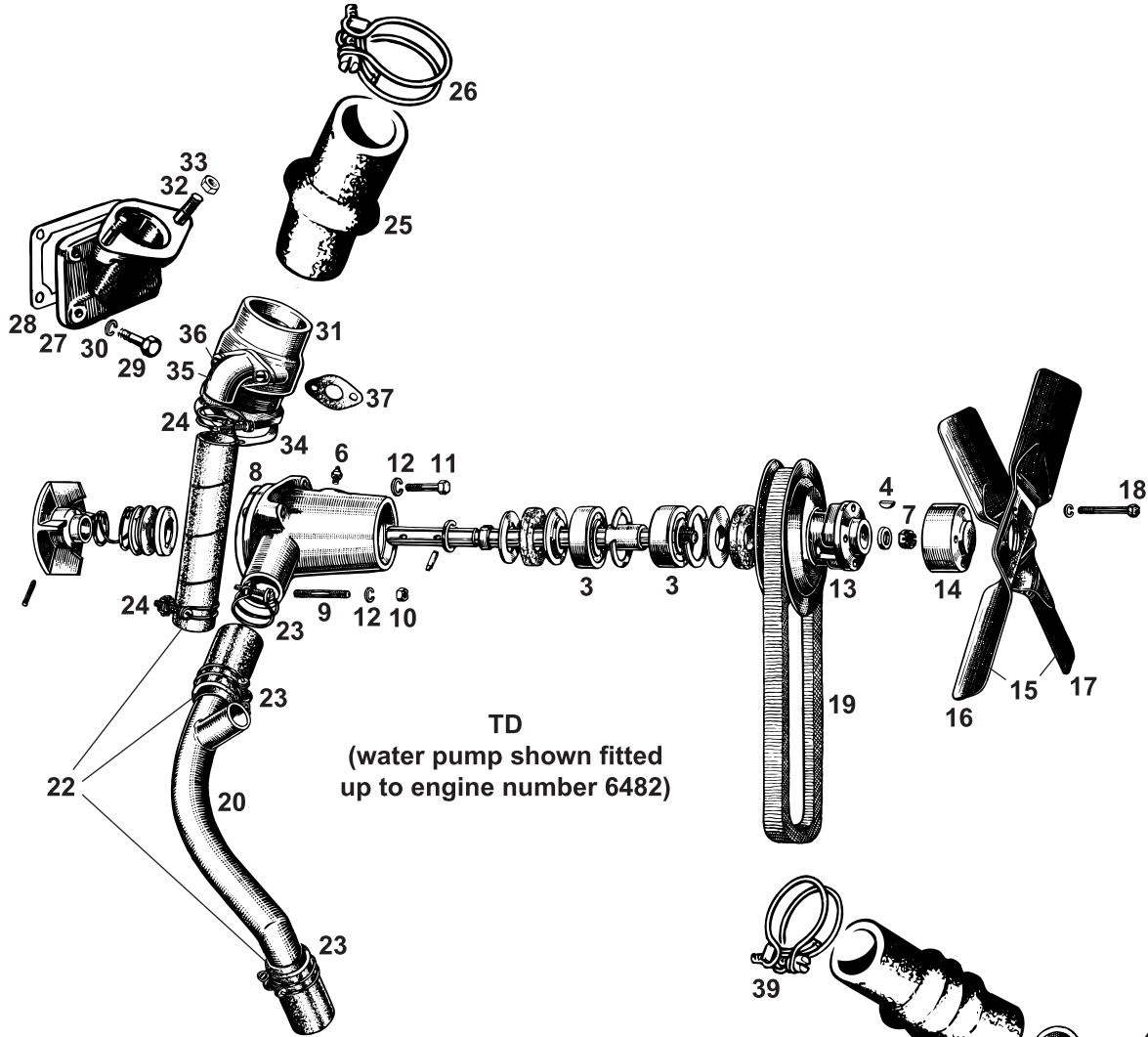


**MG TD
&
MG TF**



1	SA2407/5	Rocker Cover Assembly - Steel	1					
1	SA2407/6	Rocker Cover Assembly - Steel	1			TD, original style TF, original style		
2	AAA3112	Plate - Valve Instructions	1	}	For original style rocker covers			
3	X679/26	Rivet - Plate	2					
4	AAA5674	Thumb Nut - Rocker Cover	2					
5	LA7088	Washer - Thumb Nut	2					
6	AAA5835	Filler Cap - Oil	1					
7	SA2407/5ALU	Rocker Cover Assembly - Alloy	1					
8	SA2407/6ALU	Rocker Cover Assembly - Alloy	1					TD, smooth cast alloy style with breather boss TF, ribbed cast alloy style without breather boss
9	AAA5616	Gasket - Rocker Cover to Head	1	}	TD to eng. no. 22734, 1250cc (oval coolant hole)			
10	AAA5552	Stud - Rocker Cover to Head	2					
11	AAA3114	Cover Plate - Cylinder Head - Rear	1			}	TD from eng. No. 22735, TF, 1250cc (round coolant hole)	
12	AAA5612	Gasket - Rear Cover Plate	1					
13	CA1122	Screw - Rear Cover Plate to Head	4			}	TF 1500cc	
14	AAA5841K	Gasket Set - Cylinder Head (top end)	1					
15	AAA5841	Gasket - Cylinder Head	1					
14	AAA3075K	Gasket Set - Cylinder Head (top end)	1			}	TD to eng. no. 22734 (oval coolant hole). Customer's unit recond. TD from eng. no. 22735 (round coolant hole). Customer's unit recond. TF 1250cc (round coolant hole). Customer's unit reconditioned. TF 1500cc. Customer's unit reconditioned.	
15	AAA3075	Gasket - Cylinder Head	1					
14	AEF141	Gasket Set - Cylinder Head (top end)	1					
15	AEF140	Gasket - Cylinder Head	1					
16	AAA5512	Stud - Cylinder Head	10					
17	AAA5208	Nut - Cylinder Head	10					
18	AAA5773	Stud - Manifold	4					
19	SA2204/7LF	Cylinder Head - Bare - Recon - Lead Free	1					
19	SA2204/11LF	Cylinder Head - Bare - Recon - Lead Free	1					
19	SA2204/10LF	Cylinder Head - Bare - Recon - Lead Free	1					
19	AEF9LF	Cylinder Head - Bare - Recon - Lead Free	1			TD to eng. no. 9007 TD from eng. no. 9008, TF		
20	SA2232/1	Rocker Shaft - 14" Long	1	}	Included with rocker shaft			
20	SA2232/2	Rocker Shaft - 14 7/8" Long	1					
21	AAA5331	Plug - Rocker Shaft	2					
22	AAA4695	Clip - Rocker Shaft	2					
23	AAA5691	Pedestal - Rocker	4					
24	AAA5691S	Shim Set - Rocker Pedestal - 4 Shims	A/R			For use if necessary with machined head Round D shaped		
25	AAA5694	Spacer Washer - Pedestals 2 and 3	2					
26	AAA5671	Spacer Washer - Pedestals 1 and 4	2					
27	AAA5692	Bolt - Rocker Pedestal - Small	4					
28	AAA5670	Bolt - Rocker Pedestal - Large	4					
29	AAA5693	Lock Tab - Pedestal Bolt	4					
30	SA2214/4	Rocker - With Bush - Valves 1 and 5	2			TD to eng. no. 9007 TD from eng. no. 9008, TF		
30	SA2214/5	Rocker - With Bush - Valves 1 and 5	2					
31	SA2215/4	Rocker - With Bush - Valves 2 and 6	2					
32	SA2216/4	Rocker - With Bush - Valves 3 and 7	2					
33	SA2213/4	Rocker - With Bush - Valves 4 and 8	2			TD to eng. no. 9007 TD from eng. no. 9008, TF		
33	SA2213/5	Rocker - With Bush - Valves 4 and 8	2			TD to eng. no. 9007		
34	AAA5657	Bush - Rocker - Short	4			Qty. increases on TD from eng. no. 9008, TF		
34	AAA5516	Bush - Rocker - Long	4/8	}	TD to eng. no. 9007			
35	X20428	Spacer Spring - Centre	1					
36	AAA5535	Spacer Spring - Intermediate	2					
37	AAA5471	Spacer Spring - Front and Rear	2					
35	AAA5535	Spacer Spring - Centre	1			}	TD from eng. no. 9008, TF	
36	AAA5471	Spacer Spring - Intermediate, Front, Rear	4					
37	AAA5522	Spacer Washer	2/10					Qty. increases on TD from eng. no. 9008, TF
38	AAA5524	Adjusting Screw - Rocker - Short	8					TD to eng. no. 17297 TD from eng. no. 17298, TF
38	AAA5559	Adjusting Screw - Rocker - Long	8					
39	CA1030	Nut - Rocker Adjusting Screw	8					
40	AAA5623	Guide - Inlet Valve - Standard	4			Low friction, low wear, high strength alternative		
41	AAA5624	Guide - Exhaust Valve - Standard	4			Low friction, low wear, high strength alternative		
40	AAA5623BR	Guide - Inlet Valve - Silicon Bronze	4			TD		
41	AAA5624BR	Guide - Exhaust Valve - Silicon Bronze	4			TD MkII, TF		
42	AAA5622	Valve - Inlet - 1 5/16"	4	}	TD			
42	AAA3077	Valve - Inlet - 1 7/16"	4					
43	X22550	Valve - Exhaust - 1 3/16" - Standard	4					
43	X22550S	Valve - Exhaust - 1 3/16" - Stellite	4					
43	AJJ193	Valve - Exhaust - 1 3/8" - Standard	4	}	TD MkII, TF			
43	AJJ193S	Valve - Exhaust - 1 3/8" - Stellite	4					
44	AAA3078K	Valve Spring Set - 8 Pairs of Springs	1					
45	AAA3078	Valve Spring - Outer	8					
46	AAA3079	Valve Spring - Inner	8					
47	AAA5778	Spring Collar - Lower	8					
48	AAA5676	Spring Cap - Upper	8					
49	X24086	Oil Deflector - Valve	8					
50	AEK113B	Oil Seal - Valve Stem	8					
51	8G2451	Valve Cotter - Pair	8					
52	Z013	Tappet Adjuster - Gunsons 'Clik-Adjust'	1			Micrometer tappet adjuster for absolutely precise clearance		

Telephone: 01954 230928 Fax: 01954 231923, Email: sales@mgocspares.co.uk
Buy Online at www.mgocspares.co.uk



© 2009 MGOC Spares Ltd



**MG TD
&
MG TF**

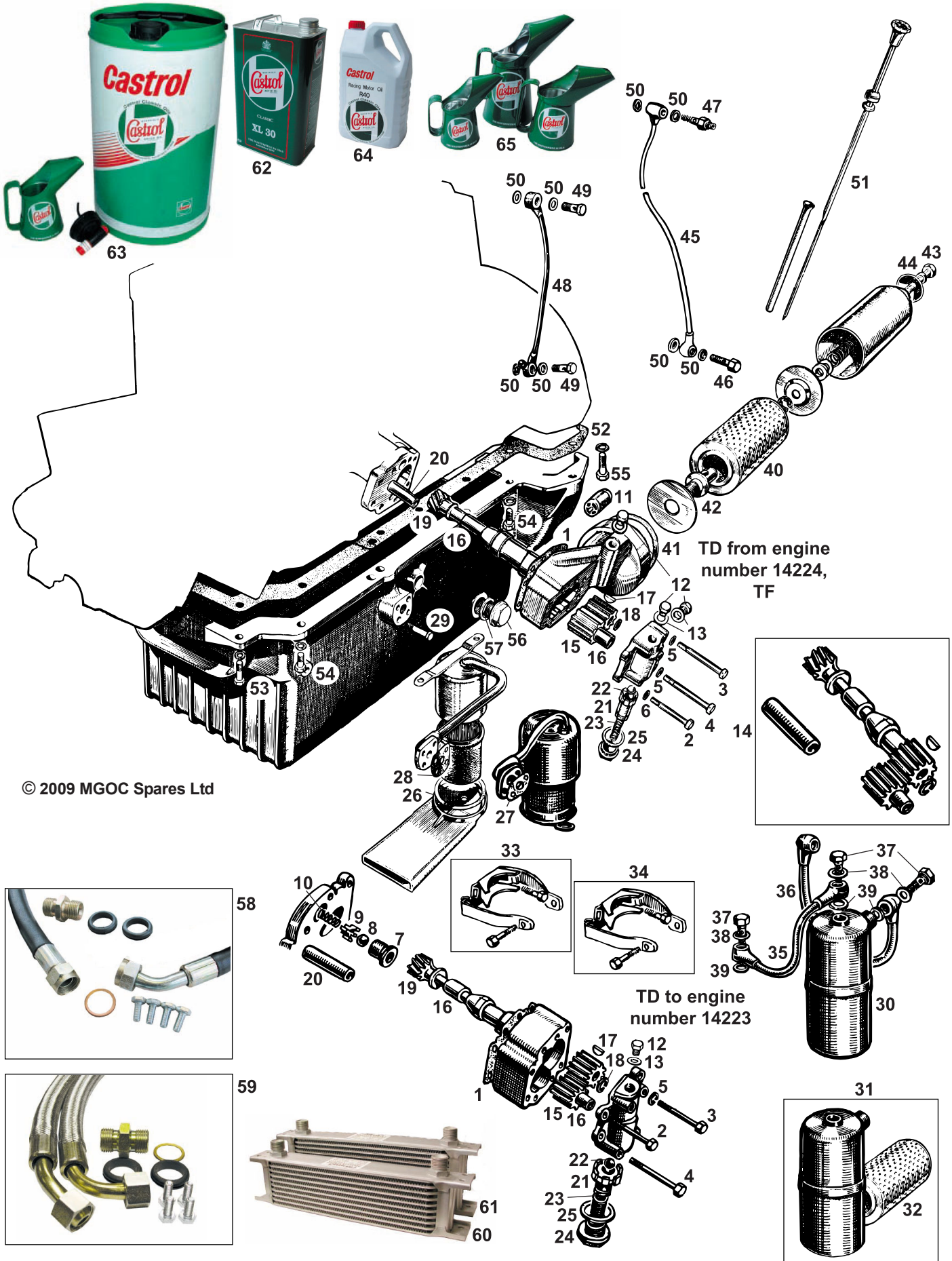


1	AEF19	Water Pump Assembly	1		
2	AEF19RK	Rebuild Kit - Water Pump	1		TD from eng. no. 6483, TF. Will fit earlier engines.
3	AEF136	Bearing - Water Pump	2	}	TD from eng. no. 6483, TF. Some parts fit earlier engines
4	WKN404	Key - Woodruff	1		Fits all water pumps. Included in rebuild kit
5	AEB156	Seal - Water Pump	1		TD from eng. no. 6483. Included in rebuild kit
6	UHN405	Grease Nipple	1	}	Fits all water pumps. Included in rebuild kit
7	JA5088	Nut - Water Pump Spindle	1		
8	AAA5630	Gasket - Water Pump to Block	1		
9	AAA5523	Stud - Water Pump to Engine	2		
10	CA1126	Nut - Water Pump Stud	2		
11	JA5052	Bolt - Water Pump to Engine	2		
12	CA1283	Washer - Spring	4		
13	AAA5602	Pulley - Water Pump	1		
14	AAA5798	Spacer - Fan	1		
15	AAA5699K	Fan Blade Set - 2 Blades	1		
16	AAA5699	Fan Blade - Front	1		
17	AAA5700	Fan Blade - Rear	1		
18	AAA5213	Bolt - Fan Blades and Pulley	4		
19	AAA5780	Fan Belt	1		
20	AAA5833	Water Branch Pipe	1		TD
21	AEG103	Water Branch Pipe	1		TF
22	AAA3086K	Bottom Hose Set - 3 Hoses	1		
23	HCS913	Clip - Supergrip - Bottom Hoses - Large	4		
24	HCS811	Clip - Supergrip - Bottom Hoses - Small	2		
25	AAA4920	Top Hose	1	}	
26	HCS1622	Clip - Supergrip - Top Hose	2		
27	SA2430	Water Outlet	1	}	
28	AAA5615	Gasket - Water Outlet to Head	1		
29	CA1258	Bolt - Water Outlet to Head	4		
30	GHF332	Washer - Spring	4		
31	27H197	Thermostat and Housing	1		TD
32	CB1717	Stud - Thermostat to Water Outlet	2		
33	CA1126	Nut - Thermostat to Water Outlet	2		
34	AAA2868	Gasket - Thermostat to Water Outlet	1		
35	27H55	Elbow - Thermostat Housing	1		
36	27H52	Screw - Elbow to Thermostat	2		
37	AJJ2785	Gasket - Elbow to Thermostat	1		
38	AAA5030	Top Hose	1	}	
39	HCS1015	Clip - Supergrip - Top Hose	2		
40	AEG123	Water Outlet	1	}	
41	AAA5615	Gasket - Water Outlet to Head	1		
42	CA1258	Bolt - Water Outlet to Head - Short	2		TF
43	OA10019	Bolt - Water Outlet to Head - Long	2		
44	GHF332	Washer - Spring	4		
45	AEK122	Plug - Water Outlet	1		
46	232043A	Washer - Sealing Plug	1		
47	GTS102	Thermostat - 74°C	1		TF; replacement Waxstat type. Summer use
47	GTS104	Thermostat - 82°C	1		TF; replacement Waxstat type. Standard use
47	GTS106	Thermostat - 88°C	1		TF; replacement Waxstat type. Winter use
48	AEG104	Elbow - Water Outlet	1	}	
49	LA7126	Bolt - Elbow to Water Outlet	2		TF
50	AAA2868	Gasket - Elbow to Water Outlet	1		

Telephone: 01954 230928 Fax: 01954 231923, Email: sales@mgocspares.co.uk
Buy Online at www.mgocspares.co.uk



MG TD
&
MG TF



© 2009 MGOC Spares Ltd



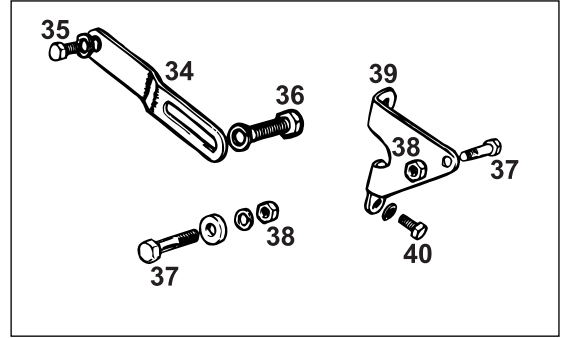
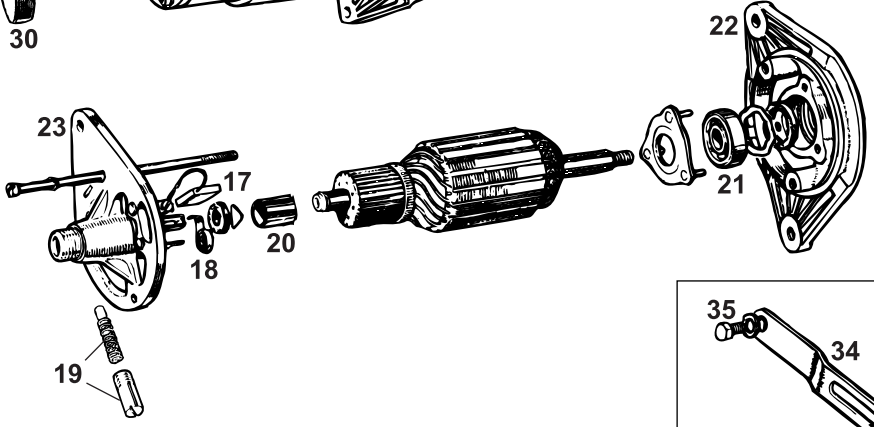
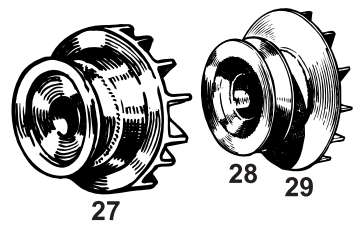
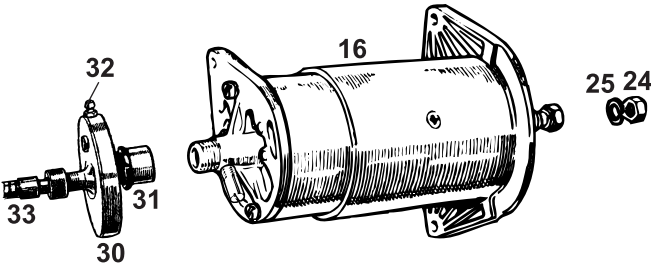
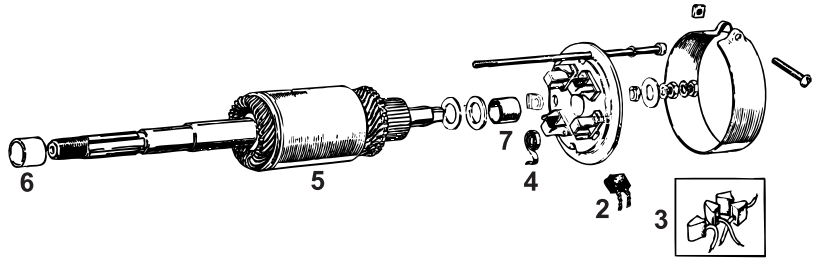
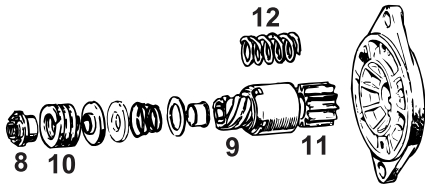
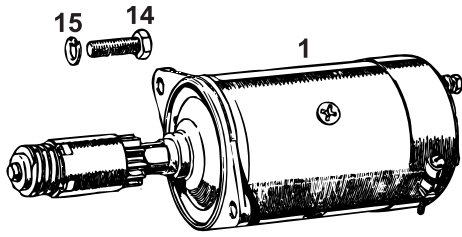
**MG TD
&
MG TF**



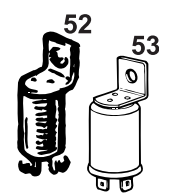
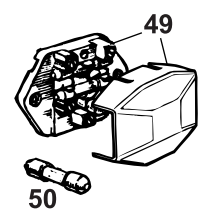
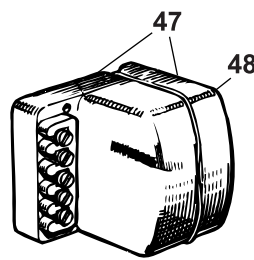
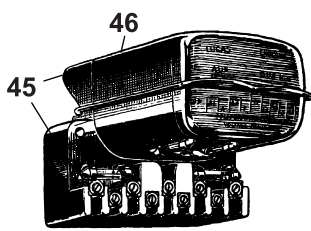
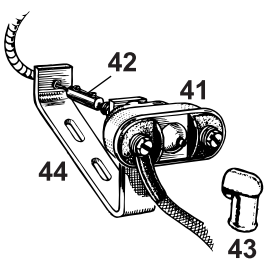
1	AAA3052	Gasket - Oil Pump to Engine	1	
2	AAA5586	Bolt - Oil Pump Assembly - Short	4/2	Qty. reduced from TD eng. no. 14224, TF
3	AAA5554	Bolt - Oil Pump Assembly - Medium	2/4	Qty. increased from TD eng. no. 14224, TF
4	AAA3093	Bolt - Oil Pump Assembly - Long	2	
5	GHF361	Washer - Copper	2/4	Qty. increased from TD eng. no. 14224, TF
6	GHF331	Washer - Spring	6/4	Qty. reduced from TD eng. no. 14224, TF
7	AAA5672	Ball Seat - Oil Filter By Pass	1	
8	AMK739	Ball - Oil Filter By Pass	1] TD to eng. no. 14223
9	AAA5705	Guide - Ball - Oil Filter By Pass	1	
10	AAA5707	Spring - Oil Filter By Pass	1	
11	AAA4661	Valve - Oil Filter By Pass	1] TD from eng. no. 14224, TF
12	AAA2738	Plug - Priming	2/3] TD from eng. no. 14224, TF. Qty. increased from TD eng. no. 20972
13	LA7417	Washer - Copper	2/3	
14	SA2448RK	Rebuild Kit - Oil Pump	1	
15	AAA5661C	Gear Set - Oil Pump	1] Included in oil pump rebuild kit
16	AAA5607K	Bush Set - Oil Pump - 3 bushes	1	
17	WKN505	Key - Woodruff	1	
18	AAA5826	Circlip - Driving Gear	1	
19	AAA5660	Shaft and Gear	1	
20	AAA5188	Shaft - Driven Gear	1	
21	AAA5787	Guide - Ball - Relief Valve	1	
22	AMK739	Ball - Relief Valve	1	
23	AAA5592	Spring - Relief Valve	1	
24	AAA5628	Cap - Relief Valve	1	
25	AAA5629	Washer - Copper	1	
26	X22973	Gasket - Oil Pick Up Filter Extension	1	TD from eng. no. 15372, TF
27	X22773	Gasket - Oil Pick Up - 2 Bolt Fixing	1	TD, TF to eng. no. 33023
28	AEJ120	Gasket - Oil Pick Up - 4 Bolt Fixing	1	TF from eng. no. 33024
29	AAA5792	Bolt - Oil Pick Up to Sump	2/4	Qty. increased from TF eng. no. 33024
30	AAA5702	Oil Filter Ass'y - Disposable	1	TD to eng. no. 14223; original fitment
31	AAA5702/1	Oil Filter Ass'y - With Replaceable Element	1] TD to eng. no. 14223; improved design
32	AAA5702/2	Oil Filter Element - For AAA5702/1 Filter	1	
33	MG862/445K	Strap Kit - Oil Filter	1	TD to eng. no. 2984
34	X24447K	Strap Kit - Oil Filter	1	TD from eng. no. 2985 to 14223
35	AAA5838	Oil Hose - Pump to Filter	1	
36	AAA5823	Oil Hose - Filter to Engine	1] TD to eng. no. 14223
37	AAA5464	Bolt - Banjo	4	
38	AJJ2868	Washer - Copper - Large	4	
39	AEJ3122	Washer - Copper - Small	4	
40	GFE102	Oil Filter Element	1	
41	8G619	Sealing Ring - Bowl (Incl. with element)	1] TD from eng. no. 14224, TF
42	AAA2647	Adaptor - Filter Centre Bolt	1	
43	AAA4700	Centre Bolt - Tecalemit Filter Type	1	
43	AAA4701	Centre Bolt - Purolator Filter Type	1	
44	7H1948	Seal - Centre Bolt	1	
45	SA2426	Oil Pipe - Cylinder Head to Block	1] TD to eng. no. 9407
46	AAA5697	Bolt - Banjo - Round Head	1	
47	AAA5501	Bolt - Banjo - With Oil Gauge Pipe Adaptor	1] TD from eng. no. 9408, TF
48	AAA5821	Oil Pipe - Cylinder Head to Block	1	
49	AAA5550	Bolt - Banjo - Hex Head	2	
50	AEC346	Washer - Sealing	4	
51	AAA5829	Dipstick Assembly	1	
52	AAA5659X	Gasket Set - Sump - 2 Gaskets	1	
53	AAA5340	Bolt - Sump to Engine - Front	2	
54	LA7431	Bolt - Sump to Engine - Sides	10	
55	AAA5341	Bolt - Sump to Engine - Rear	2	
56	AAA5299	Drain Plug - Sump	1	
57	6K501	Washer - Copper	1	
58	G185	Oil Cooler Kit - Rubber Hoses	1] TD to eng. no. 14223
59	G197	Oil Cooler Kit - Stainless Braided Hoses	1	
58	G186	Oil Cooler Kit - Rubber Hoses	1] TD from eng. no. 14224, TF
59	G198	Oil Cooler Kit - Stainless Braided Hoses	1	
Oil cooler kits include a pair of hoses, oil cooler and necessary fixings. On early TD models the installation replaces the original filter to engine pipe; on later TD and TF models an adaptor is supplied to fit in between the oil pump and filter.				
60	ARO9807	Oil Cooler - 10 Row	1	
61	ARA221	Oil Cooler - 13 Row	1	
62	G601	Castrol Classic XL30 - 4.5 Litres	A/R	Original specification oil for MG T Type engines Supplied with 1 pint jug and drum tap
63	G611	Castrol Classic XL30 - 25 Litres	A/R	
XL 20w/50 and XL30 are available in home workshop 25 litre drums, with quick-flow pouring tap and Castrol pouring jug. Free delivery to all UK Mainland customers when spending over £30.00.				
64	G605	Castrol Classic R40 SAE40 - 4.5 Litres	A/R	High performance castor-based engine oil with distinctive aroma First fill for remanufactured engines Half, one or two pint sizes, or set of three
	G657	Castrol Running In Oil - 5 Litres	A/R	
65	G700 on	Castrol Classic Pouring Jug	A/R	

Telephone: 01954 230928 Fax: 01954 231923, Email: sales@mgoespares.co.uk

Buy Online at www.mgoespares.co.uk



© 2009 MGOC Spares Ltd



1 3H952E Starter Motor - Reconditioned Exchange . . . 1 Original type (Lucas type M35G, model 25022).

The Lucas model 25022 starter motor is the original starter motor for MG TDs and TFs. Instantly recognisable features include a brush inspection band and a thick cast end plate at the pinion end of the body, plus a round nut securing the pinion and springs to the shaft. As this original starter is getting progressively rarer to find, it may sometimes only be available on a 'customer's own unit reconditioned' basis - please contact MGOC Spares for details.

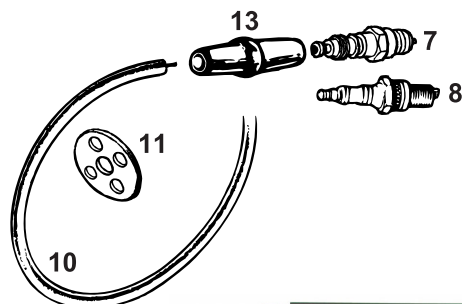
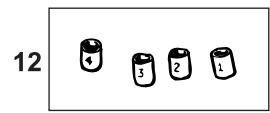
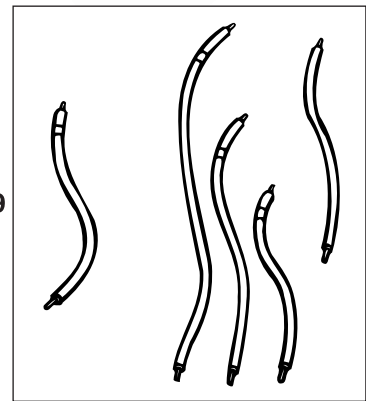
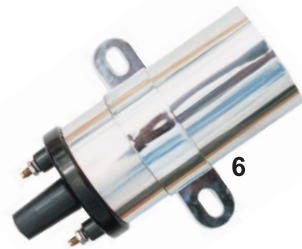
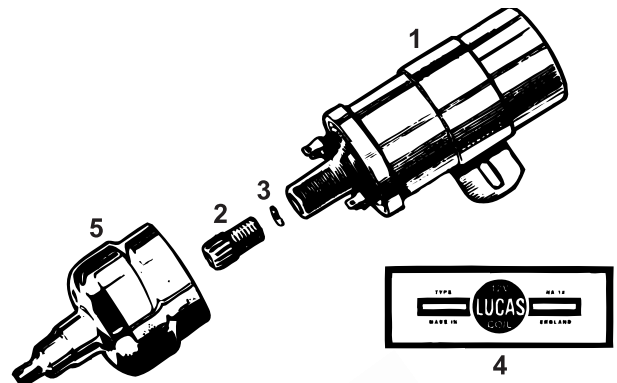
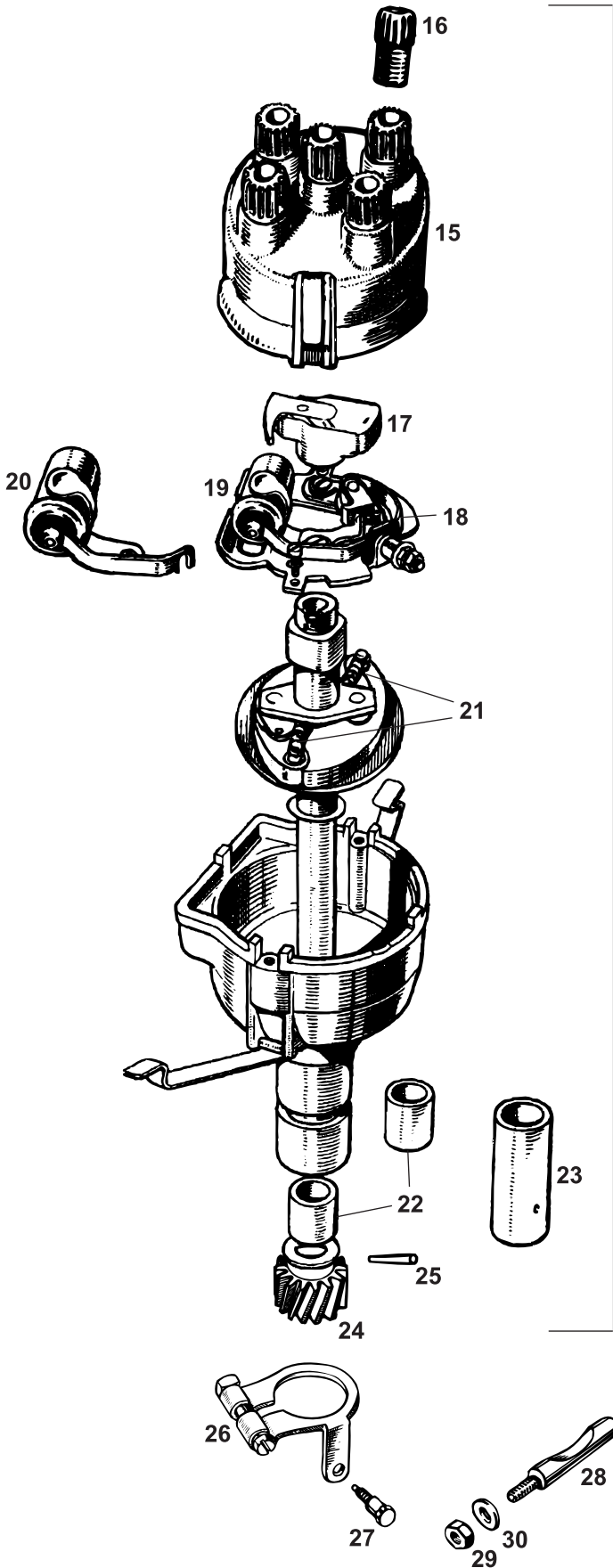
Trying to fit one of the later Lucas design starter motors that look on the face of it to be visually and dimensionally similar runs the risk of the motor fouling the engine casting. While this can be relatively simply overcome, our advice is to stay with the original design if possible, particularly if maintaining original appearance under the bonnet is important to you.

Most essential parts to rebuild your own original starter motor are still available. Note however that if your starter has been previously rebuilt, it may have received some later design parts - for example, all Lucas reconditioned units for many years have incorporated the (much) later design axial acting carbon brushes (triangular shape) from the M35J starter in place of the original design radial acting brushes (rectangular). Other components may also have changed - if in doubt, please contact us with descriptions of what you have and we will guide you to the correct replacement parts.

2	GSB102	Carbon Brush Set - Radial Acting Design . . . 1	Original design
3	GSB105	Carbon Brush Set - Axial Acting Design . . . 1	Fitted to many reconditioned starter motors
4	47H5341	Spring Set - Carbon Brushes 1	} Original design
5	7H5050	Armature 1	
6	7H5049	Bush - Drive End 1	} TF original design
7	7H5042	Bush - Commutator End 1	
8	47H5342	Nut - Pinion Retaining 1	} Original design
9	7H5529	Sleeve and Nut 1	
10	7H5045	Spring - Main 1	} Original design
11	BAU5781	Pinion 1	
12	501711	Spring - Pinion 1	
13	7H5156	Sundry Parts Kit 1	
14	CA1095	Bolt - Starter Motor to Engine 2	
15	GHF333	Washer - Spring 2	

Original dynamos for TDs and TFs (with the facility for the tachometer drive) are similarly not easy to find today, so we offer a service to recondition the customer's own unit. Rebuilding or repairing your own dynamo may not be that difficult, particularly if it's simply a case of replacing the brushes and gently cleaning the muck and carbon from the commutator.

16	AEA309E	Dynamo - Reconditioned 1	Customer's own unit
17	GGB105	Carbon Brush Set 1	
18	RTC466A	Spring Set - Carbon Brushes 1	
19	7H5527	Oiler 1	
20	7H5390	Bush - Commutator End 1	
21	529221A	Bearing - Pulley End 1	
22	7H5388	End Plate - Pulley End 1	
23	7H5387	End Plate - Commutator End 1	
24	NT607041	Nut - Pulley and Fan Retaining 1	
25	GHF334	Washer - Spring 1	
26	37H6836	Sundry Parts Kit 1	
27	X24468	Pulley and Fan 1	Early TD type
28	AAA5839	Pulley 1	} Late TD and TF type; may be fitted to earlier models.
29	AEC82	Fan 1	
30	27H210	Reduction Gearbox - Rev Counter Drive . . 1	
31	27H211	Coupling Kit - Gearbox to Dynamo 1	
32	ACA4010	Grease Nipple - Gearbox 1	
33	ACG5080	Cable - Tachometer - 4' 0" Long 1	RHD
33	ACG5083	Cable - Tachometer - 3' 4" Long 1	LHD
34	AAA5831	Adjusting Link - Dynamo 1	
35	CA1122	Bolt - Adjusting Link to Engine 1	
36	SH505071	Screw - Adjusting Link to Dynamo 1	
37	JA5052	Bolt - Pivot 2	
38	CA1126	Nut - Pivot Bolt 2	
39	AAA5684	Bracket - Dynamo to Engine 1	
40	CA1122	Bolt - Bracket to Engine 2	
41	3H949	Switch - Starter Motor 1	
42	3H950	Coupling - Switch to Starter Cable 1	
43	8G548	Terminal Cover - Switch - Rubber 2	
44	N136683	Bracket - Switch 1	
45	2H4929	Regulator - Dynamo - With Fuses - 9 Post 1	} TD to ch. no. 8141
46	7H5127	Cover - Regulator 1	
47	3H1835	Regulator - Dynamo - 5 Post 1	} TD from ch. no. 8142, TF
48	7H5522	Cover - Regulator 1	
49	1G2613	Fuse Box 1	
50	GFS3035S	Fuse - 35 Amp A/R	
50	GFS3050S	Fuse - 50 Amp A/R	
51	3H1454	Relay - Indicators and Brake Lights 1	
52	GFU2101	Flasher Unit - Indicators - Original Type . . 1	Screw terminals
53	GFU2103	Flasher Unit - Indicators - Alternative . . . 1	Lucar spade terminals



1	GCL101	Coil - Screw In HT Lead1
2	105036	Nut - Acorn - HT Lead to Coil1
3	214279A	Washer - Copper1
4	LMG1091	Decal - Coil - Lucas1
5	8G727	Cover - Coil - Rubber1
6	K019	Custom Coil Cover - Stainless Steel1
7	GSP4256	Spark Plug - Champion L87Y Type4
8	GSP4362	Spark Plug - Champion N9Y Type4
9	AAA5981K	HT Lead Kit - Complete1
10	AAA5981M	HT Lead - Copper Core A/R
11	AEH600	Spacer - Leads - 4 Way1
12	CRST255	Decal Kit - HT Lead Numbers1
13	AAA5981C	Cap - Spark Plug4

1/2" reach; TD to eng. no. 22734
3/4" reach; TD from eng. no. 22735, TF

Sold per metre

Reconditioned distributors are available; usually the customer's own unit is reconditioned. Please contact MGOC Spares for details.

14	27H5204E	Distributor - Reconditioned1
14	N168489E	Distributor - Reconditioned1
14	AAA3111E	Distributor - Reconditioned1
15	AAA4772	Cap - Distributor - With Lead Nuts1
16	17H5122	Nut - Acorn - HT Lead to Distributor Cap	...5
17	GRA101	Rotor Arm1
18	GCS112	Contact Set1
19	7H5088	Condenser - With Base Plate1
20	57H5318	Condenser - Screw on1
21	27H5071	Spring Set - Auto Advance1
21	27H5430	Spring Set - Auto Advance1
21	27H5422	Spring Set - Auto Advance1
22	7H5093/4	Bush Set - Distributor - 2 Bushes1
23	17H5071	Bush - Distributor1
24	AAA5786	Gear - Distributor Drive1
25	CB2257	Pin - Gear Locating1
26	AAA361	Clamp - Distributor1
27	AAA5212	Lock Bolt - Clamp to Engine1
28	AAA2776	Cotter Bolt - Distributor Clamping1
29	AJD8104Z	Nut - Cotter1
30	PWZ204	Washer - Cotter1
31	Z011	Advance Xenon Timing Light - Gunsons	...1

TD to ch. no. 24488 (Lucas i.d. number 40162)
TD from ch. no. 24489 (Lucas i.d. number 40368)
TD MkII, TF (Lucas i.d. number 40367)

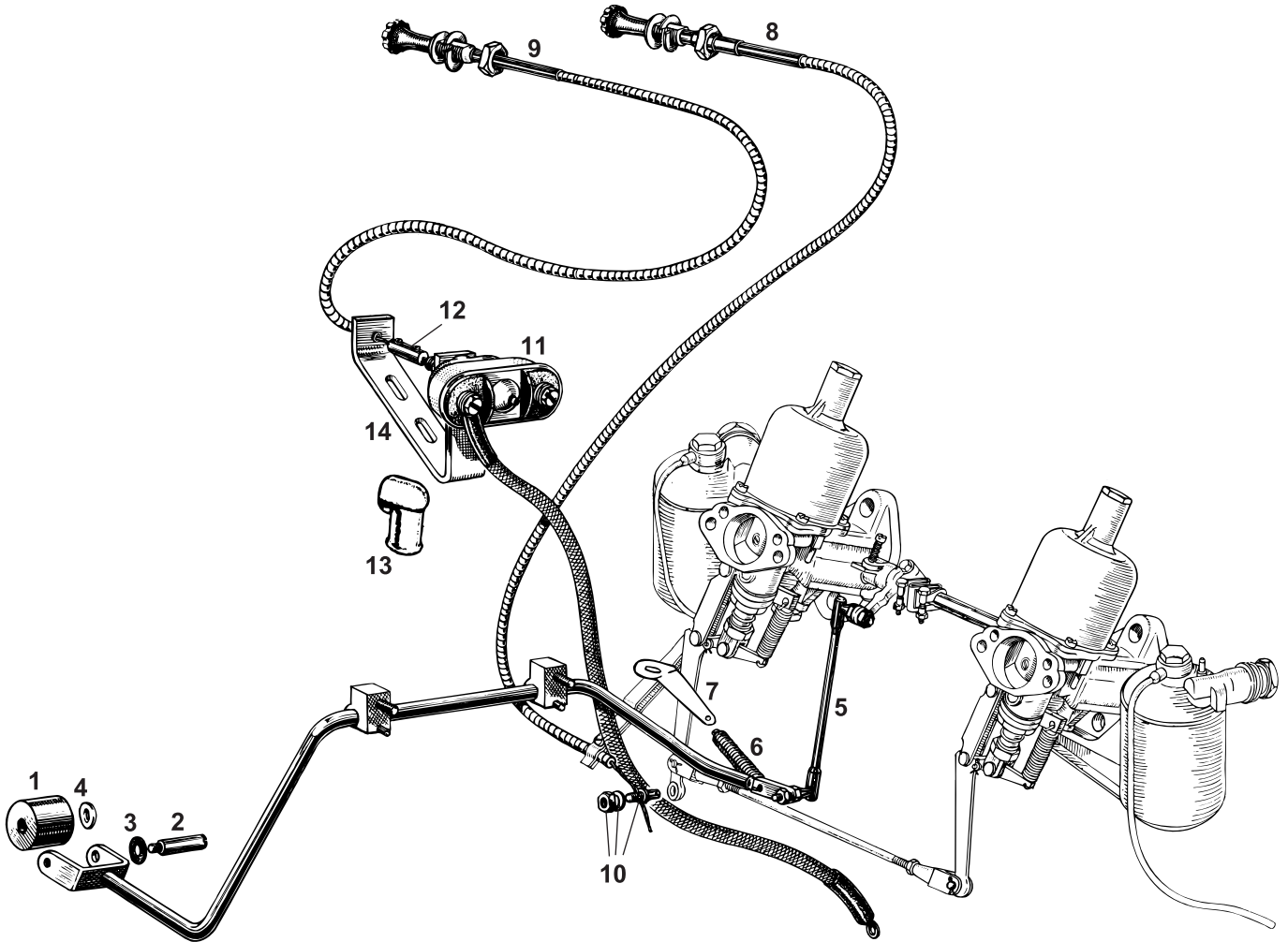
TD to ch. no. 24488
TD from ch. no. 24489, TD MkII, TF
TD to ch. no. 24488
TD from ch. no. 24489
TD MkII, TF
TD to ch. no. 24488
TD from ch. no. 24489, TD MkII, TF

TD to eng. no. 20941

TD from eng. no. 20942, TD MkII, TF

Stroboscopic light powered by the car battery for perfect dynamic timing

**Telephone: 01954 230928 Fax: 01954 231923, Email: sales@mgocspares.co.uk
Buy Online at www.mgocspares.co.uk**



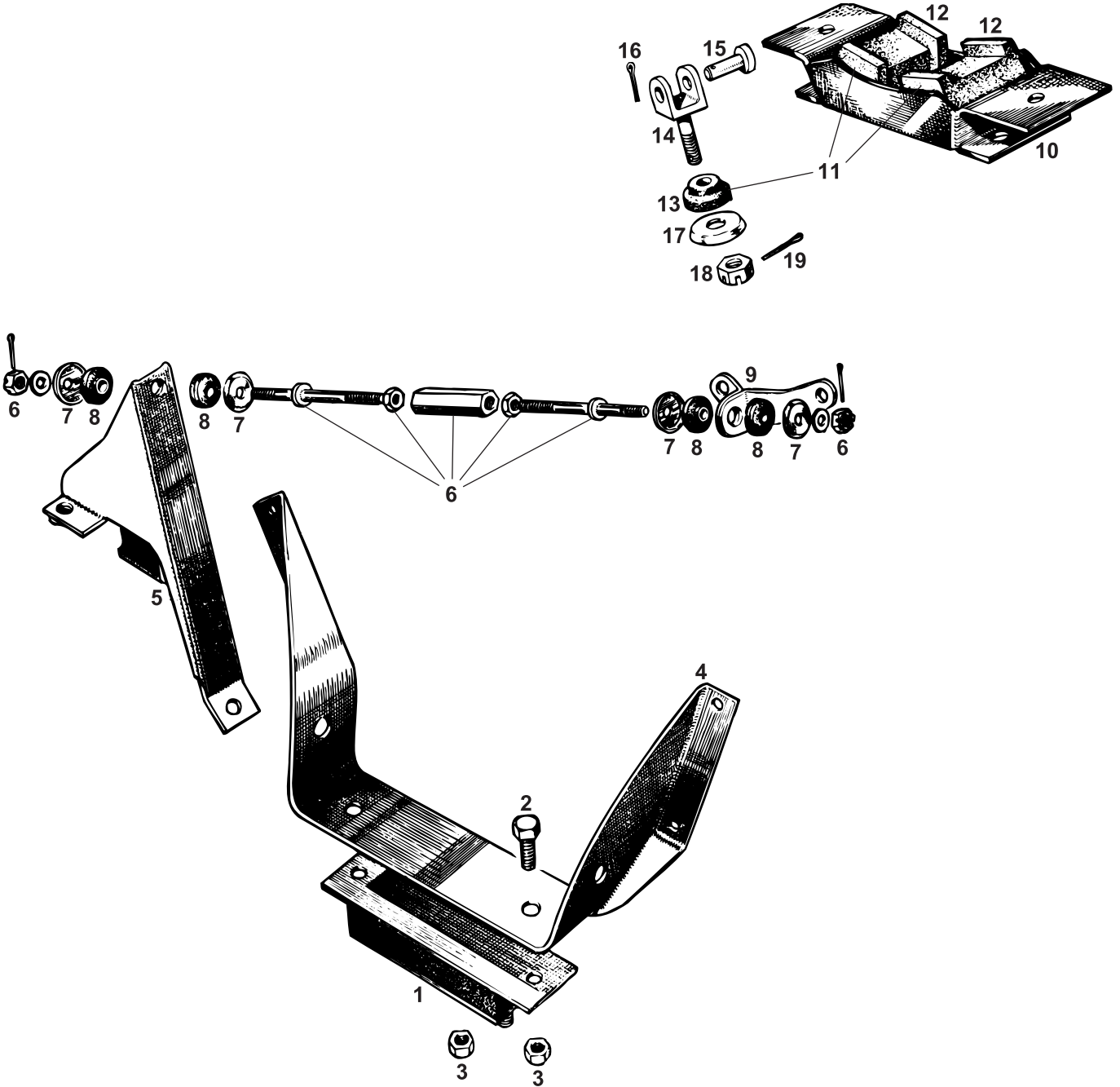


**MG TD
&
MG TF**



1	N005267	Roller - Accelerator Pedal1	
2	N005270	Pin - Roller1	
3	N127009	Washer - Packing2	
4	AWZ106	Washer - Anti Rattle1	
5	AAA573	Rod - Accelerator Control1	
6	AAA266	Spring - Accelerator Return1	
7	X17254	Bracket - Spring to Starter Motor1	
8	AAA2216	Choke Cable1	} TD
9	AAA4987	Starter Cable1	
8	ACG5061	Choke Cable1	} TF
9	ACG5063	Starter Cable1	
10	ACC5062K	Trunnion Kit - Choke Cable1	
11	3H949	Switch - Starter Motor1	
12	3H950	Coupling - Switch to Starter Cable1	
13	8G548	Terminal Cover - Switch - Rubber2	
14	N136683	Bracket - Switch1	

**Telephone: 01954 230928 Fax: 01954 231923, Email: sales@mgocspares.co.uk
Buy Online at www.mgocspares.co.uk**



1	AAA2418	Engine Mounting Rubber - Front	1	
2	AJD6208Z	Bolt - Front Engine Mounting	2	
3	AJD8105Z	Nut - Front Engine Mounting	4	
4	AAA5794	Bracket - Front Engine Mounting	1	
5	AAA2184	Bracket - Engine Control - On Chassis	1	
6	AAA1313K	Engine Control Link Assembly	1	
7	ACA5379K	Cup Washer Set - 4 Washers	1	
8	AAA1316K	Rubber Bush Set - 4 Bushes	1	
9	AAA5797	Bracket - Engine Control - On Engine	1	
10	AAA2161	Bracket - Rear Engine Mounting	1	
11	AAA2419K	Engine Mounting Rubber Kit - Rear	1	
12	AAA2419	Engine Mounting Rubber - Rear	2	} Included in rear mounting rubber kit
13	AAA1320	Rebound Rubber - Rear	1	
14	AAA1319	Fork - Rear Mounting	1	
15	CLZ517	Clevis Pin	1	
16	GHF503	Split Pin	1	
17	ACA5379	Washer - Cup	1	
18	AJD8305Z	Nut	1	
19	GHF501	Split Pin	1	

**Telephone: 01954 230928 Fax: 01954 231923, Email: sales@mgocspares.co.uk
Buy Online at www.mgocspares.co.uk**



FUEL SYSTEM:

CARBURETTORS

AIR FILTERS

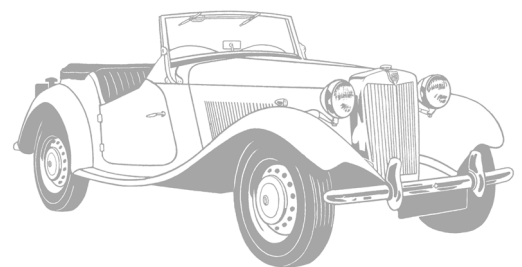
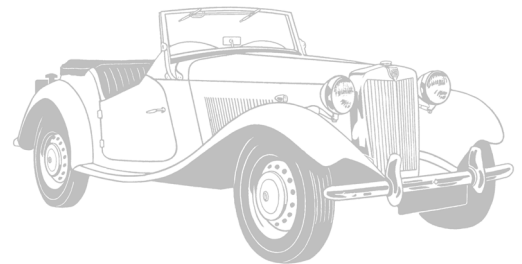
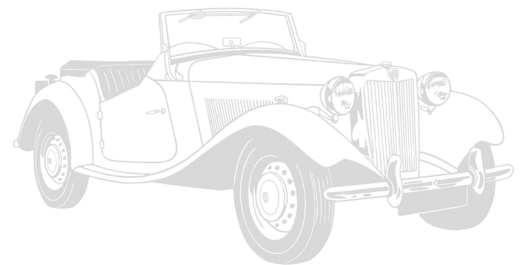
INLET MANIFOLDS

ENGINE BREATHING

FUEL TANKS

FUEL PUMPS

FUEL LINES & HOSES



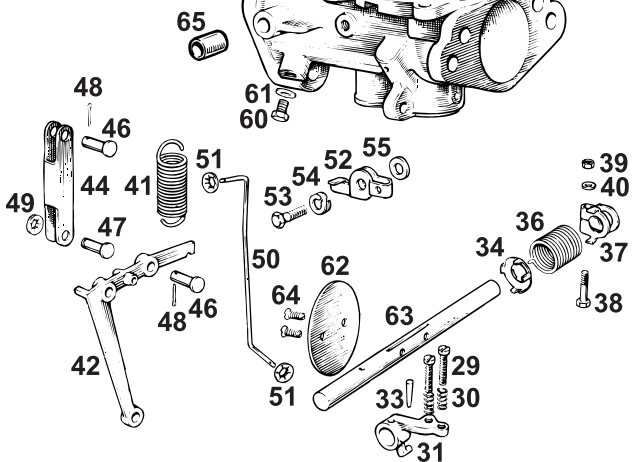
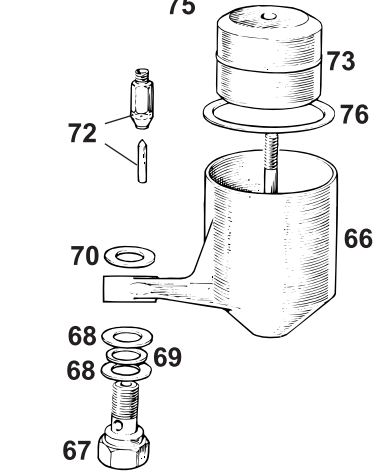
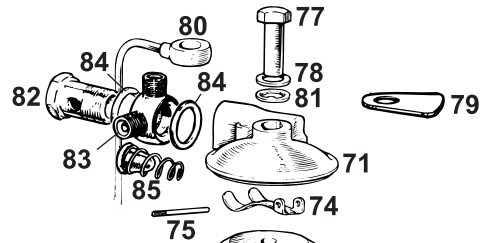
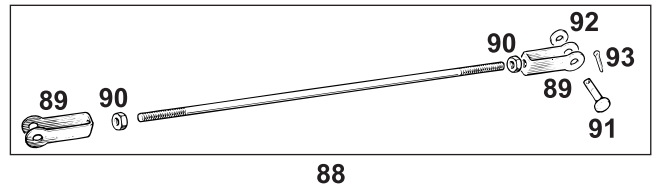
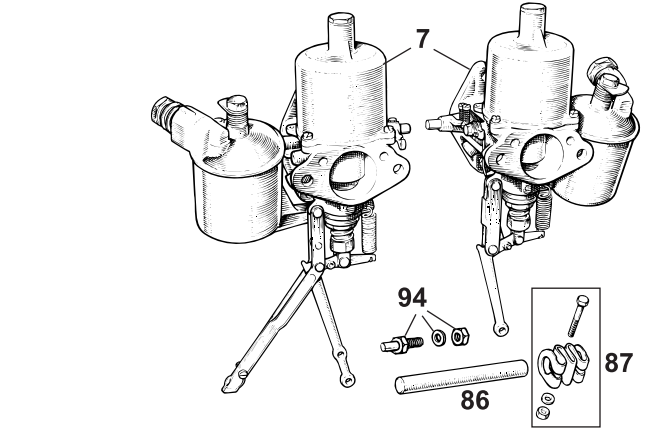
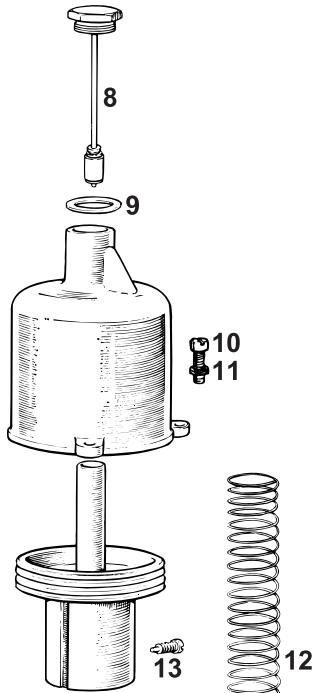
MGOC Spares & Accessories, Octagon House, Swavesey, Cambridge CB24 4QZ
Tel: 01954 230928 and 01954 231318 Email: sales@mgocspares.co.uk



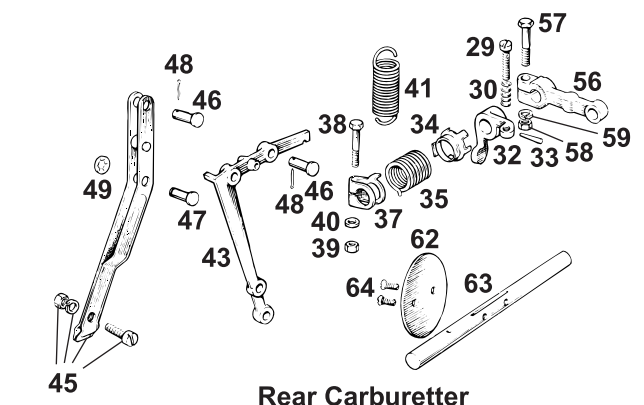
6



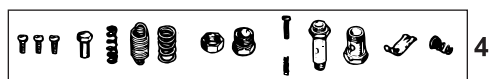
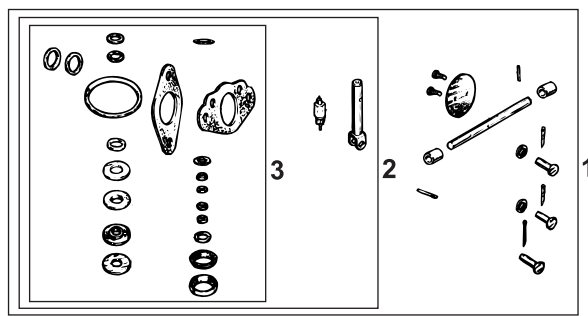
95



Front Carburetter 15



Rear Carburetter



1	CRK203	Carb Rebuild Kit - H2	2	TD (AUC549 carburetters)
1	CRK205	Carb Rebuild Kit - H4	2	TD MkII (AUC578 carburetters), TF (AUC728 carburetters)
A rebuild kit includes the service kit, plus throttle spindle, throttle spindle bushes, throttle disc, throttle disc screws, jet lever and link fitting hardware, throttle lever tapered pins and float lever pivot pin, for one carburetter.				
2	CSK40	Carb Service Kit - H2 and H4	2	
A service kit includes the gasket kit, plus float chamber needle and seat and jet assembly, for one carburetter.				
3	AUE900	Carb Gasket Kit - H2	2	TD (AUC549 carburetters)
3	AUE901	Carb Gasket Kit - H4	2	TD MkII (AUC578 carburetters), TF (AUC728 carburetters)
A gasket kit includes manifold gasket, air filter gasket, suction chamber damper washer, float lid gasket, banjo connection washers, jet bearing washers and glands and float chamber hold up washers, for one carburetter.				
4	CSK001	Sundries Kit - H2 and H4	2	
A sundries kit includes gland and jet return springs, pivot bolt, stop screw and suction chamber screws, stop screw spring, float levers (alternative types), banjo bolt, jet sealing ring, locking nut and adjusting spring, float filter and float lid nut for one carburetter.				
5	Z015	S.U. - Tuning Tool Kit	1	
	AUD2693	S.U. - Jet Adjusting Spanner (not illus.)	1	Included in tool kit
6	BCC500	S.U. - Carb Cleaner - Aerosol 500ml	A/R	
7	AUC549P	Carburetters - H2 - Pair - Reconditioned	1	TD; customer's own units reconditioned
7	AUC549T	Carburetters - H2 - Pair - New	1	TD
7	AUC578P	Carburetters - H4 - Pair - Reconditioned	1	TD MkII; customer's own units reconditioned
7	AUC578T	Carburetters - H4 - Pair - New	1	TD MkII
7	AUC728P	Carburetters - H4 - Pair - Reconditioned	1	TF; customer's own units reconditioned
7	AUC728T	Carburetters - H4 - Pair - New	1	TF
8	AUC8103HB	Damper - Brass Cap	2	} TD, TD MkII
8	AUC8103	Damper - Plastic Cap	2	
8	AUC8102HB	Damper - Brass Cap	2	} TF
8	AUC8102	Damper - Plastic Cap	2	
9	AUC4900	Washer - Damper	2	
10	JZX1394	Screw - Dashpot	4/6	} TD uses 4, TD MkII and TF use 6
11	WL700101	Washer - Spring	4/6	
12	AUC4587	Spring - Piston - Light Blue	2	TD (if fitted) and TF
12	AUC4387	Spring - Piston - Red	2	TD MkII
13	AUC2057	Screw - Needle Locking	2	
14	AUD1166	Needle - ES - Standard	2	} TD
14	AUD1046	Needle - AP - Weak	2	
14	AUD1160	Needle - EM - Rich	2	} TD MkII
14	AUD1258	Needle - LS1 - Standard	2	
14	AUD1047	Needle - AQ - Rich	2	} TF
14	AUD1214	Needle - GJ - Standard	2	
14	AUD1216	Needle - GL - Weak	2	
14	AUD1239	Needle - H1 - Rich	2	
15	WZX1593	Jet Bearing Kit	2	
16	AUC2122	Washer - Copper - Upper	2	
17	AUC3230	Jet Bearing - Upper	2	
18	AUC2120	Seal - Cork	4	
19	AUC2119	Washer - Cupped	4	
20	AUC1158	Spring - Jet Gland	2	
21	AUC3231	Jet Bearing - Lower	2	
22	AUC3233	Washer - Copper - Lower	2	
23	AUC2118	Seal - Cork	2	
24	AUC2117	Ring - Sealing - Alloy	2	
25	AUC3232	Nut - Sealing	2	
26	AUC2114	Spring - Mixture Nut	2	
27	AUC2121	Nut - Mixture	2	
28	WZX1595	Jet Assembly - With Seals	2	
29	AUC8483	Screw - Slow Run/Fast Idle	3	
30	AUC2451	Spring - Screw	3	
31	AUC3437	Stop - Front	1	
32	AUC2199	Lever - Rear	1	
33	AUC2106	Pin - Stop and Lever to Spindle	2	
34	AUC4770	Anchor - Spring	2	
35	AUC4781	Spring - Rear	1	
36	AUC4782	Spring - Front	1	
37	AUC4771	Retaining Clip	2	
38	AUC2669	Screw	2	
39	AJD8014Z	Nut	2	
40	AUC4612	Washer - Plain	2	
41	AUC4667	Spring - Return	2	
42	AUC4763	Lever - Front	1	
43	AUC3234	Lever - Rear	1	
44	AUC3419	Link - Front	1	
45	AUE63	Link - Rear - With Choke Cable Abutment	1	
46	AUC2381	Clevis Pin - Link to Body and Lever to Jet	4	
47	AUC5009	Clevis Pin - Link to Lever	2	
48	GHF500	Split Pin	4	
49	AUC5004	Washer - Starlock	2	
50	AUC4853	Link - Fast Idle	1	
51	AUC5002	Washer - Starlock	2	

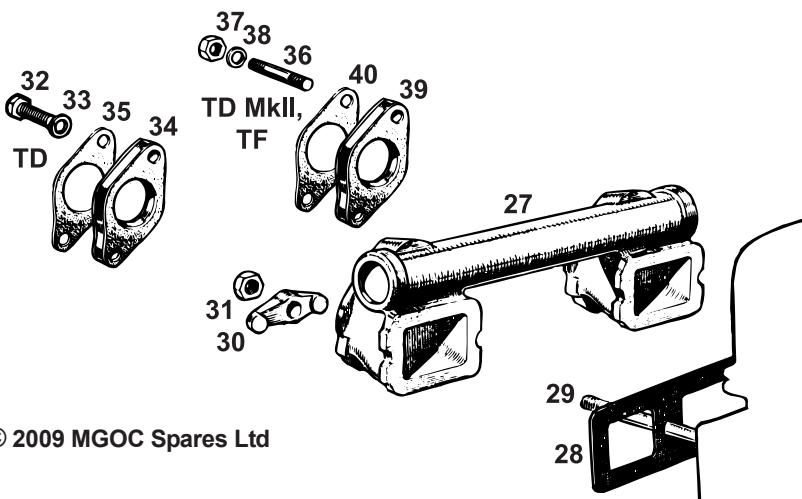
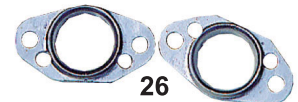
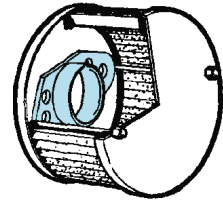
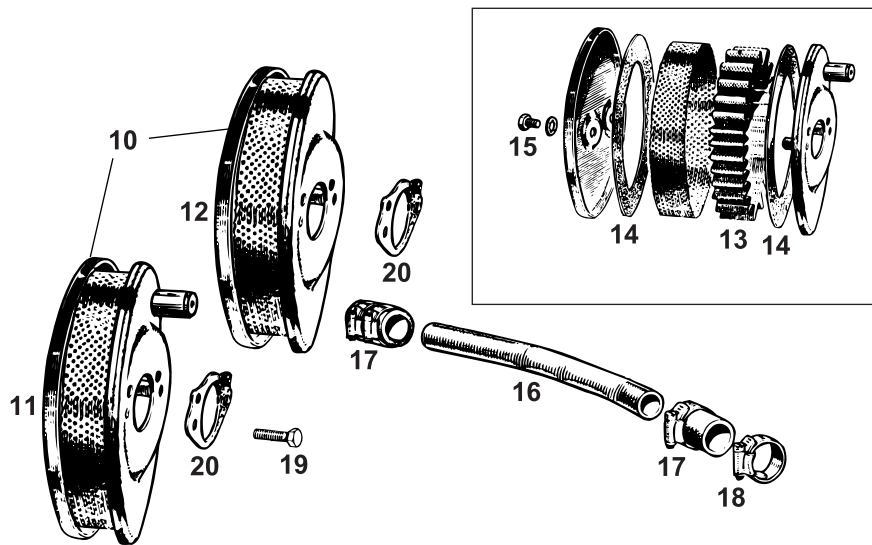
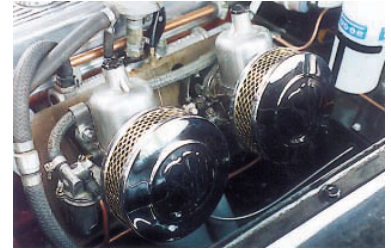
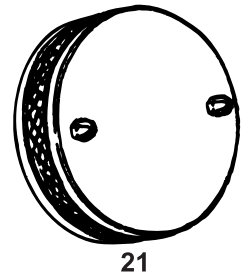
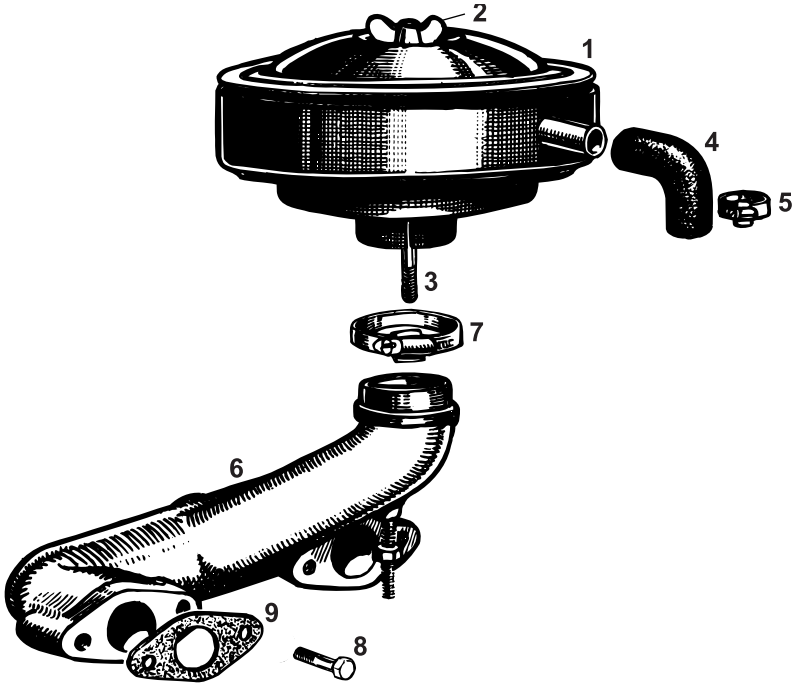


**MG TD
&
MG TF**



52	AUC3502	Cam	1	
53	AUC3471	Bolt - Pivot	1	
54	AUC3472	Washer - Spring - Double Coil	1	
55	AUC4848	Washer - Alloy	1	
56	AUC3272	Lever	1	
57	AUC2694	Screw - Pinch	1	
58	AJD8012	Nut	1	
59	WL700101	Washer - Spring	1	
60	AUC4627	Plug - Vacuum Boss	1	
61	AUC4900	Washer - Fibre	1	
62	WZX1320	Throttle Disc Kit - Includes Screws	2	} TD
63	AUC3059	Throttle Spindle	2	
62	WZX1323	Throttle Disc Kit - Includes Screws	2	} TD MkII, TF
63	AUC3242	Throttle Spindle	2	
64	AUC1358	Screw - Throttle Disc	4	
65	AUD3080	Spindle Bush - Carburetter Body Repair	4	
66	AUC3495	Float Chamber - Front	1	
66	AUC3496	Float Chamber - Rear	1	
67	AUC1541	Bolt - Banjo	2	
68	AUC5027	Washer - Fibre	4	
69	AUC5026	Washer - Steel	2	
70	AUC2130	Washer - Fibre	2	
71	AUE479	Float Lid Assembly - Front	1	} Replacement type - includes AUD2285 lever
71	AUE478	Float Lid Assembly - Rear	1	
72	WZX1101	Needle and Seat	2	
72	GAC9201X	Grose Jet	2	Superior replacement for needle and seat
73	WZX1303	Float	2	
74	AUC1980	Lever - Float	2	For original float lids
74	AUD2285	Lever - Float	2	For replacement float lids
75	AUC1152	Pin	2	
76	AUC1147	Gasket - Float Lid	2	
77	AUC1867	Cap Nut	2	
78	AUC1557	Washer - Alloy	2	
79	AUC1051	Identification Tag - Carburetter - Blank	2	
80	AUC3202	Pipe - Overflow	2	
81	AUC1928	Washer - Fibre	2	
82	AUC2698	Bolt - Banjo	2	
83	AUC1832	Banjo Union	1	
84	AUC4900	Washer - Sealing	4	
85	AUC2139	Filter	2	
86	AUC2433	Shaft - Connecting	1	
87	AUE75	Coupling Assembly	2	
88	AUE170	Link Assembly - Jet Levers	1	
89	AUC2256	Fork End - Link	2	} Included in link assembly
90	AJD8012Z	Nut - Fork End	2	
91	AUC2108	Clevis Pin	2	
92	AUC8396	Washer - Plain	2	
93	GHF500	Split Pin	2	
94	ACC5062K	Trunnion Kit - Choke Cable	1	
95	Z004	Carbalancer - Gunsons	1	Helps equalise air flow through multiple carburetters

**Telephone: 01954 230928 Fax: 01954 231923, Email: sales@mgocspares.co.uk
Buy Online at www.mgocspares.co.uk**





**MG TD
&
MG TF**



1	AAA5961	Air Filter Assembly	1	}	TD	
2	WGN012	Wing Nut	1			
3	N168390	Stud - Air Filter Mounting	1			
4	AAA3076	Hose - Air Filter to Rocker Cover	1			
5	HCS507	Clip - Hose - Supergrip	2			
6	AAA5819	Air Manifold	1			
7	HCS1217	Clip - Air Filter to Manifold - Supergrip	1			
8	CA1258	Bolt - Air Manifold to Carburetters	4			
9	AUC1281	Gasket - Air Manifold to Carburetter	2			
9	12G2125	Gasket - Air Manifold to Carburetter	2			
10	AEG107/8	Air Filter Set - Pair of Assemblies	1	}	TD MkII	
11	AEG107	Air Filter Assembly - Front	1			
12	AEG108	Air Filter Assembly - Rear	1			
13	ACG5182	Element - Air Filter	2			
14	ACG5183	Felt Pad	4			
15	AJD6256Z	Bolt - Air Filter Assembly	2			
16	AEG109	Pipe - Breather	1			
17	AAA5562	Hose - Breather	2			
18	HCS507	Clip - Hose - Supergrip	4			
19	AJD6256Z	Bolt - Air Filter to Carburetter	4			
20	12G2125	Gasket - Air Filter to Carburetter	2	}	TF	
21	PF101	Air Filter - Accessory - Chrome - 1 1/4"	2			For H2 carburetters
21	PF102	Air Filter - Accessory - Chrome - 1 1/2"	2			For H4 carburetters
22	G227	Air Filter - SU Style - Chrome - 1 1/4"	2			For H2 carburetters
22	G228	Air Filter - SU Style - Chrome - 1 1/2"	2			For H4 carburetters

These attractive, chrome plated foam filters with the distinctive SU logo will enhance your MG's engine bay and improve air flow and performance. Greater performance improvements still are available when used with stub stacks G220 (1 1/4") or G221 (1 1/2") - see below.

K&N Air Filters

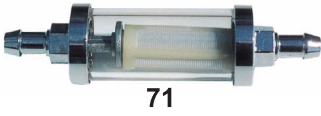
The most efficient performance filters available, K&Ns provide up to 40% more air flow than conventional filters, with extremely high levels of filtration. Through their efficiency, up to 5 bhp engine power improvement is available. K&N filters require minimal cleaning and are supplied preoiled, ready for use (filter cleaner and oil also available). After fitting the K&N filter kit it may be necessary to fit richer needles to your carburetters.

23	G216	Pancake Air Filter - K&N - 1 1/4"	2	For H2 carbs. Fit with stub stacks G221 for further improvements.
23	G215	Pancake Air Filter - K&N - 1 1/2"	2	For H4 carbs. Fit with stub stacks G221 for further improvements.
24	G224	Service Pack - K&N - Cleaner and Oil	A/R	
25	G225	Oil - K&N Filter - Sachet	A/R	
26	G220	Stub Stack - K&N - 1 1/4"	2	For H2 carburetters and G216 K&N or G227 SU air filters
26	G221	Stub Stack - K&N - 1 1/2"	2	For H4 carburetters and G215 K&N or G228 SU air filters

Stub stacks are ideal for use with K&N or SU pancake air filters. Highly recommended, they greatly improve air flow into the carburetters.

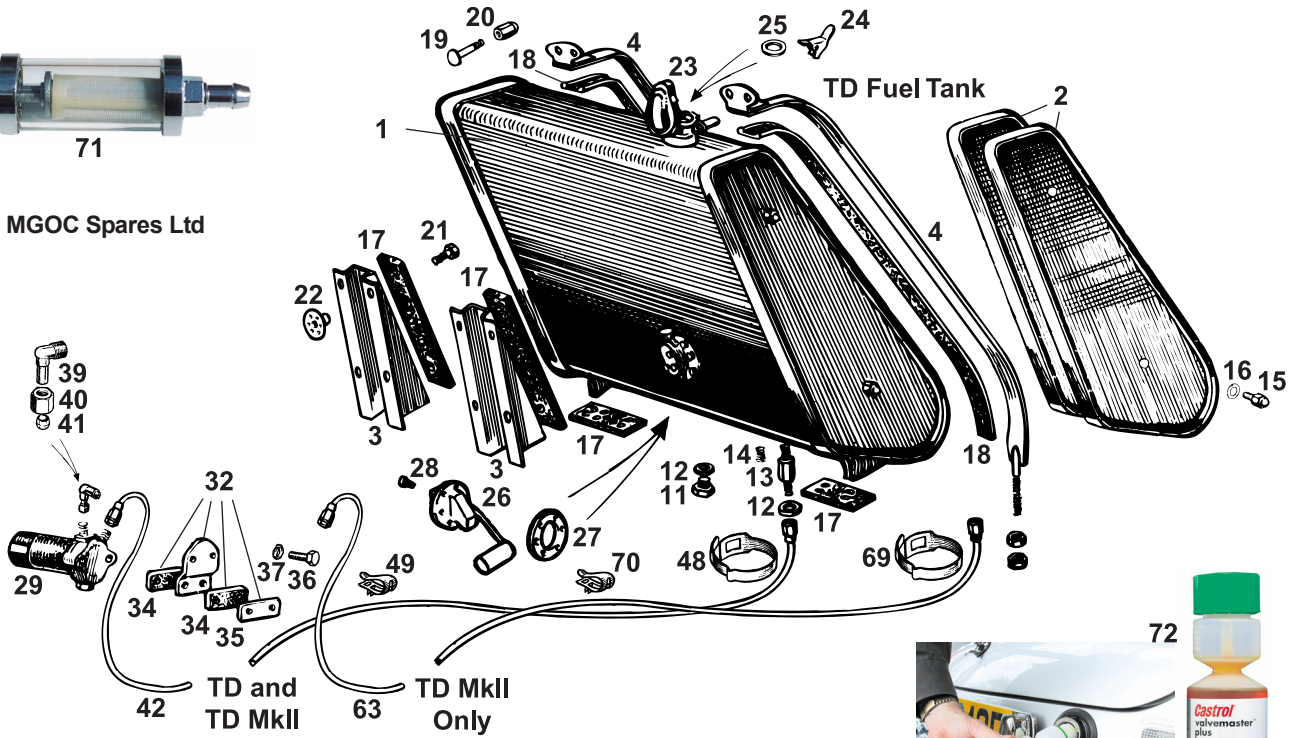
27	SA2440	Manifold - Inlet - 1 1/4" Bores	1	TD	
27	SA2440/1	Manifold - Inlet - 1 1/2" Bores	1	TD MkII, TF	
28	AAA3082	Gasket - Manifolds to Head	1		
29	AAA5773	Stud - Manifolds to Head	4		
30	AAA5772	Clamp - Manifolds to Head	4		
31	CA1126	Nut	4		
32	LA7153	Bolt - Carburetter to Manifold	4	}	TD
33	CA1284	Washer - Spring	4		
34	X22124	Spacer - Carburetter to Manifold	2		
35	AUC4275	Gasket - Carburetter to Manifold	2		
36	CA1179	Stud - Carburetter to Manifold	4	}	TD MkII, TF
37	CA1127	Nut	4		
38	CA1284	Washer - Spring	4		
39	AHH5713	Spacer - Carburetter to Manifold	2		
40	AUC4278	Gasket - Carburetter to Manifold	2/4	TD MkII, TF (qty. increased for TF)	

**Telephone: 01954 230928 Fax: 01954 231923, Email: sales@mgocspares.co.uk
Buy Online at www.mgocspares.co.uk**

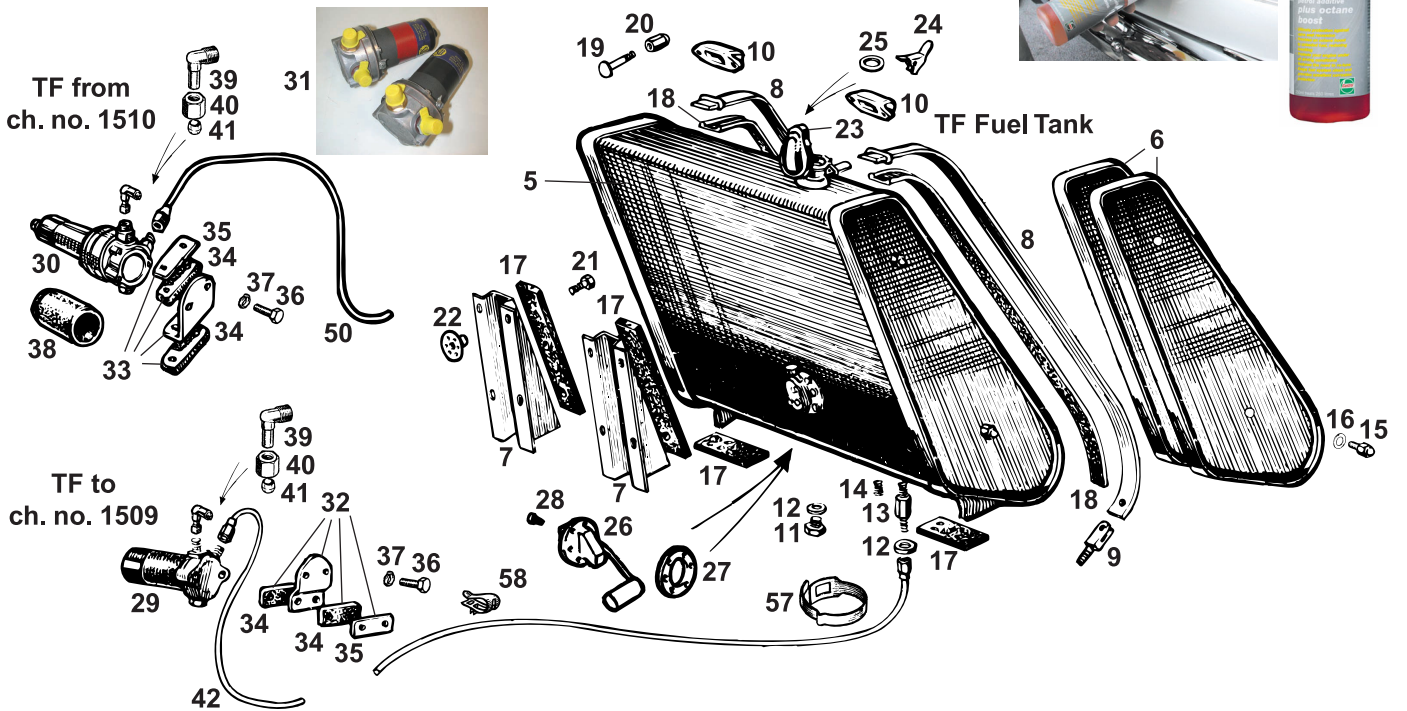


71

© 2009 MGOC Spares Ltd



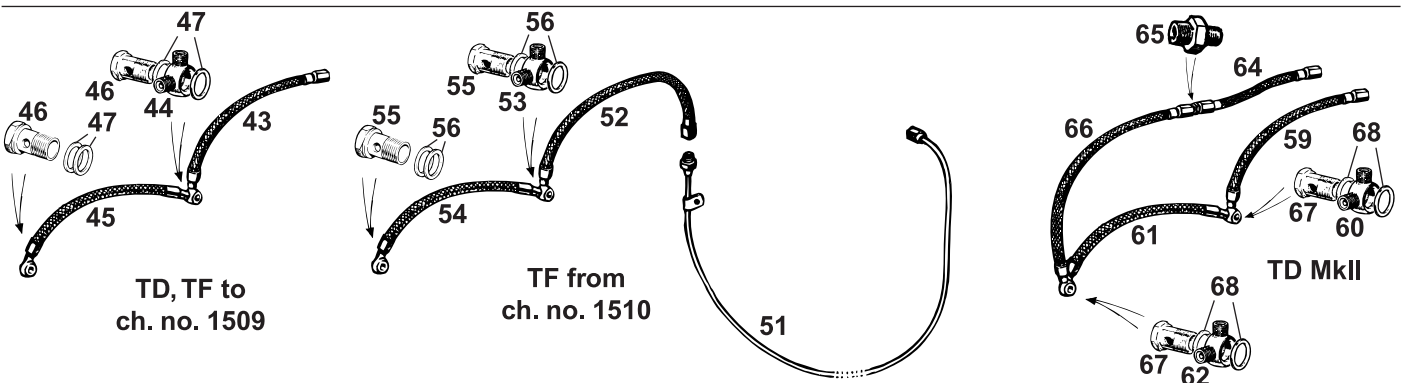
72



TF from
ch. no. 1510

31

TF to
ch. no. 1509



TD, TF to
ch. no. 1509

TF from
ch. no. 1510

TD MkII



**MG TD
&
MG TF**



1	AAA2234	Fuel Tank - Repro - Without End Panels	1	TD	
2	AAA2235/6	End Panel Set - Fuel Tank - Chrome	1		
3	N136276	Support Bracket - Tank to Body	2	TD	
4	AAA2180	Strap - Fuel Tank - Primed	2		
4	AAA2180C	Strap - Fuel Tank - Chrome	2	TF	
5	N500899	Fuel Tank - Repro - Without End Panels	1		
6	AAA5058/9	End Panel Set - Fuel Tank - Chrome	1		
7	N500898	Support Bracket - Tank to Body	2		
8	ACG5058	Strap - Fuel Tank - Primed	2		
8	ACG5058C	Strap - Fuel Tank - Chrome	2		
9	ACG5059	Bracket - Lower - Tank Strap	2		
9	ACG5059C	Bracket - Lower - Chrome Alternative	2		
10	ACG5009	Bracket - Upper - Tank Strap - Chrome	2		
11	AEK122	Drain Plug - Fuel Tank	1		Solder to adaptor
12	AUC4900	Washer - Drain Plug and Fuel Pipe	2		
13	AAA851	Fuel Pipe Adaptor - With Filter	1		
14	AAA851F	Filter - Adaptor	1		
15	AAA570	Bolt - End Panel	4		
16	WF508	Washer - End Panel Bolt	4		
17	AAA2181/2	Rubber Pad Set - Tank to Chassis - 4 Pads	1		
18	AAA2183K	Rubber Packing Strip Set - Tank Strap	2		
19	AJD948	Bolt - Upper Tank Strap Bracket	4		
20	AHH5653	Nut - Upper Tank Strap Bracket	4		
21	AJD6106Z	Bolt - Support Bracket to Body	4	Original TD and TF style Alternative (MG TC style)	
22	BSF1/4T	T Nut - Support Bracket to Body	4		
23	AAA4944	Fuel Filler Cap Assembly	1		
23	N500135	Fuel Filler Cap Assembly	1		
24	N500137	Release Clip - Fuel Filler Cap	1		
25	AAA4945	Seal - Fuel Filler	1		
26	27H214	Sender Unit - Fuel Tank	1		
27	2H1082	Gasket - Sender Unit to Tank	1		
28	ARG923	Screw - Sender Unit to Tank	6		
29	AUA25	Fuel Pump - New SU Item - Points Type	1/2		TD, TF to ch. no. 1509. Qty. increased for TD MkII
29	AUA25EP	Fuel Pump - New SU Item - Electronic	1/2		
30	AZX1332	Fuel Pump - New SU Item - Points Type	1	TF from ch. no. 1510. For original positive earth vehicles	
31	AZX1332EP	Fuel Pump - New SU Item - Electronic	1		
30	AZX1331	Fuel Pump - New SU Item - Points Type	1	TF from ch. no. 1510. For positive earth, or negative earth conversions	
31	AZX1331EP	Fuel Pump - New SU Item - Electronic	1		
32	AAA1477K	Mounting Kit - Fuel Pump	1/2	TD, TF to ch. no. 1509. Qty. increased for TD MkII TF from ch. no. 1510	
33	ACG5143K	Mounting Kit - Fuel Pump	1		
34	AAA260	Rubber Pad - Pump Mounting	2/4	Included in mounting kit. Qty. increased for TD MkII	
35	AAA261	Retaining Plate - Rubber Pad	1/2		
36	AJD6155Z	Bolt - Pump to Bracket	2/4		
37	GHF331	Washer - Spring	2/4		
38	ACG5147	Cover - Fuel Pump - Rubber	1	TF from ch. no. 1510	
39	AUA1478	Elbow - Outlet	1/2	Qty. increased for TD MkII	
40	AAA17	Nut - Union	1/2		
41	AUA1486	Olive - Union	1/2	TD, TF to ch. no. 1509	
42	N095535	Fuel Pipe - Tank to Pump	1		
43	AAA294	Hose - Pump to Rear Carburetter	1		
44	AUC1832	Banjo Union - Double	1		
45	AAA794	Hose - Carburetter to Carburetter	1		
46	AUC2698	Banjo Bolt	2		
47	AUC2141	Washer - Fibre	4		
48	ACH8650	Strap - Fuel and Brake Pipes	A/R		
49	N095100	Clip - Fuel and Brake Pipes to Chassis	6/7		
50	ACG5146	Fuel Pipe - Tank to Pump	1		TD, TF to ch. no. 1509. Qty. increased for TF LHD
51	ACG5145	Fuel Pipe - Pump to Hose	1		
52	AAA294	Hose - Pipe to Rear Carburetter	1	TF from ch. no. 1510	
53	AUC1832	Banjo Union - Double	1		
54	ACH8977	Hose - Carburetter to Carburetter	1		
55	AUC2698	Banjo Bolt	2		
56	AUC2141	Washer - Fibre	4		
57	ACH8650	Strap - Fuel and Brake Pipes	A/R		
58	N095100	Clip - Fuel and Brake Pipes to Chassis	6/7		
42	N095535	Fuel Pipe - Tank to Primary Pump	1		TF from ch. no. 1510. Qty. increased for LHD
59	AAA294	Hose - Primary Pump to Rear Carburetter	1		
60	AUC1832	Banjo Union - Double	1		
61	AAA294	Hose - Carburetter to Carburetter	1		
62	AUC1832	Banjo Union - Double	1		
63	N135379	Fuel Pipe - Tank to Secondary Pump	1		
64	AAA3051	Hose - Secondary Pump to Adaptor	1		
65	N081405	Adaptor	1		
66	AAA294	Hose - Adaptor to Front Carburetter	1		
67	AUC2698	Banjo Bolt	2		
68	AUC2141	Washer - Fibre	4	TD MkII	
69	ACH8650	Strap - Fuel and Brake Pipes	A/R		
70	N095100	Clip - Fuel and Brake Pipes to Chassis	11		



High quality chrome fuel filters may be used to replace the original fitment disposable plastic items. Alternatively, for cars without a filter in the fuel system, adding one will help guard against stuck carburettor needle valves and other maladies caused by dirt and other matter in the fuel.

- | | | |
|---------|---|----------------------------|
| 71 G067 | Fuel Filter - Chrome and Toughened GlassA/R | With 1/4" diameter unions |
| 71 G068 | Fuel Filter - Chrome and Toughened GlassA/R | With 5/16" diameter unions |
| G067FE | Replacement Filter Elements - Pack of 3 A/R | For chrome fuel filters |

72 1770 Castrol Valvemaster Plus A/R

Reduces pinking and knocking or the need to retune the engine when using unleaded fuel (raises octane rating). The 250ml bottle treats 250 litres of fuel.

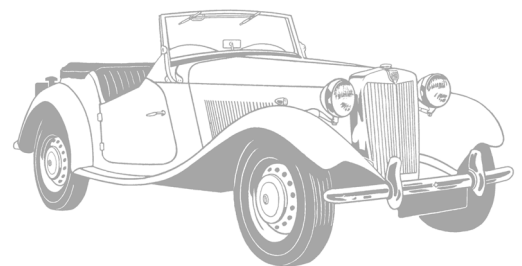
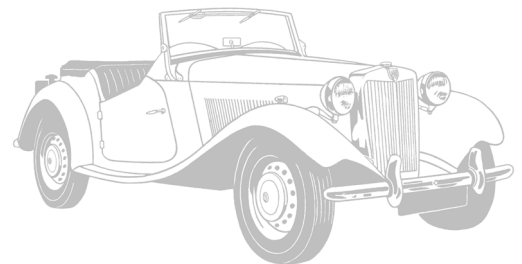
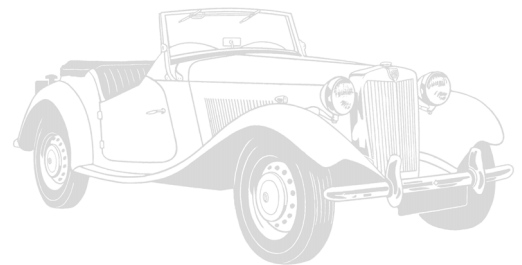
**Telephone: 01954 230928 Fax: 01954 231923, Email: sales@mgocspares.co.uk
Buy Online at www.mgocspares.co.uk**



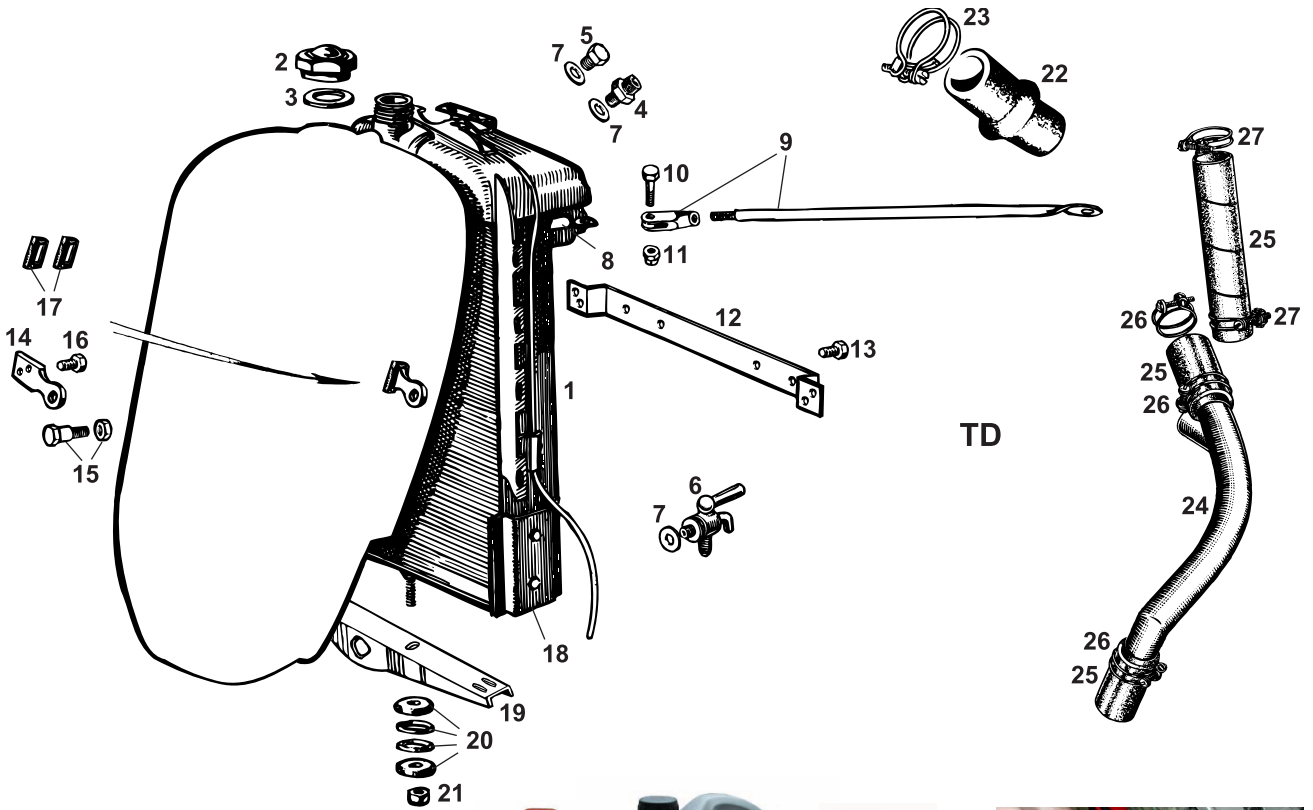
COOLING:

RADIATORS

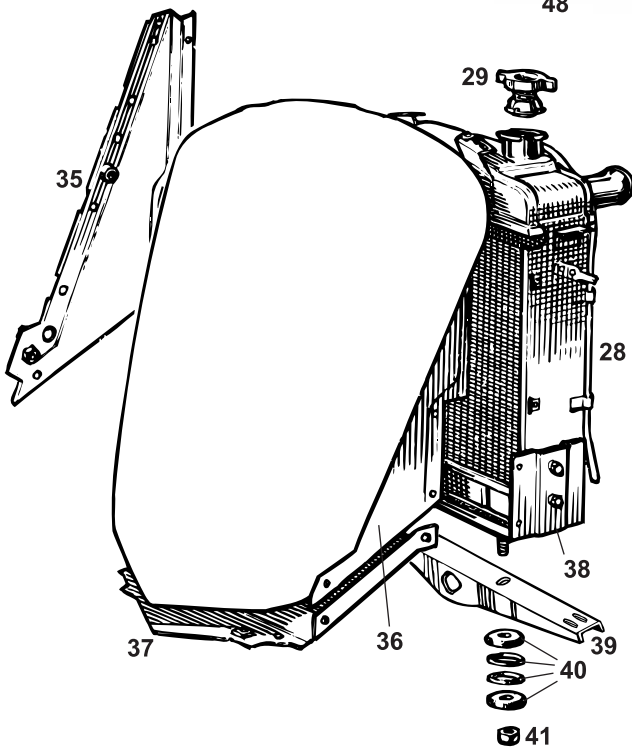
COOLING HOSES



MGOC Spares & Accessories, Octagon House, Swavesey, Cambridge CB24 4QZ
Tel: 01954 230928 and 01954 231318 Email: sales@mgocspares.co.uk



© 2009 MGOC Spares Ltd



1	AAA4207E	Radiator - Reconditioned	1	TD. Customer's own unit reconditioned	
2	AJJ246	Filler Cap - Radiator	1	} TD	
3	AJJ247	Seal - Filler Cap	1		
4	27H2	Adaptor - Temperature Gauge Pipe	A/R	TD; male/female connections	
4	N500611	Adaptor - Temperature Gauge Pipe	A/R	TD; male/male connections	
5	AJJ82	Plug - Adaptor Boss	A/R	TD; when temperature gauge not fitted	
6	3H576	Drain Tap	1	} TD	
7	ARA616	Washer - Fibre - Adaptor/Plug and Tap	2		
8	AJJ1413	Bracket - Stay Rod	2		
9	AAA2174K	Support Tube and Fork End	2		
10	AJD6108Z	Bolt - Fork End to Bracket	2		
11	AJD8104Z	Nut	2		
12	AJJ145	Tie Bracket - Headlamp Mounting	1		
13	AJD6206Z	Bolt - Tie Bracket to Radiator	4		
14	AJJ144	Bracket - Headlamp Mounting	2		
15	AAA546K	Bolt and Nut Set - Headlamp Bracket	2		
16	AJD6106Z	Bolt - Headlamp Bracket to Tie Bracket	4		
17	AAA558K	Rubber Ferrule Set - Bracket (2 ferrules)	1		
18	AAA4207MB	Mounting Bracket - Radiator - Lower	1		
19	AAA2139	Chassis Crossmember - Radiator	1		
20	AAA2075K	Radiator Mounting Kit - 8 bushes and washers	1		
21	AJD8106Z	Nut - Radiator to Crossmember	4		
22	AAA4920	Top Hose	1		
23	HCS1622	Clip - Supergrip - Top Hose (original)	2		} TD (original)
23	GHC1622	Clip - Jubilee - Top Hose (alternative)	2		
24	AAA5833	Water Branch Pipe	1		} TD (original)
25	AAA3086K	Bottom Hose Set - 3 Hoses	1	} TD (alternative)	
26	HCS913	Clip - Supergrip - Bottom Hoses - Large	4		} TF. Customer's own unit reconditioned
26	GHC913	Clip - Jubilee - Bottom Hoses - Large	4		
27	HCS811	Clip - Supergrip - Bottom Hoses - Small	2	} TF (original)	
27	GHC811	Clip - Jubilee - Bottom Hoses - Small	2		} TF (alternative)
28	ARG44E	Radiator - Reconditioned	1	} TF	
29	GRC108	Filler Cap - Radiator - 4 lbs	1		
30	3H576	Drain Tap	1		
31	ARA616	Washer - Fibre - Tap	1		
32	AAA2174K	Support Tube and Fork End	2		
33	AJD6108Z	Bolt - Fork End to Bracket	2		
34	AJD8104Z	Nut	2		
35	ARG615	Side Plate - RH	1		
36	ARG616	Side Plate - LH	1		
37	ARG550	Base Plate	1		
38	ARG44MB	Mounting Bracket - Radiator - Lower	1		
39	AAA2139	Chassis Crossmember - Radiator	1		
40	AAA2075K	Radiator Mounting Kit - 8 bushes and washers	1		
41	AJD8106Z	Nut - Radiator to Crossmember	4		
42	AAA5030	Top Hose	1		
43	HCS1015	Clip - Supergrip - Top Hose (original)	2		} TF (original)
43	GHC1015	Clip - Jubilee - Top Hose (alternative)	2		
44	AEG103	Water Branch Pipe	1		} TF (original)
45	AAA3086K	Bottom Hose Set - 3 Hoses	1		
46	HCS913	Clip - Supergrip - Bottom Hoses - Large	4		} TF (original)
46	GHC913	Clip - Jubilee - Bottom Hoses - Large	4	} TF (alternative)	
47	HCS811	Clip - Supergrip - Bottom Hoses - Small	2		} TF (original)
47	GHC811	Clip - Jubilee - Bottom Hoses - Small	2	} TF (alternative)	
48	G231	Water Wetter - 355ml	A/R		

Cooling system heat transfer agent; lowers engine temperature by up to 15°C. One bottle treats 15 litres of coolant.

49 G230 Forlife Radiator Fluid A/R
Long-lasting advanced coolant used on road, track and in motor museums over the past twenty years. Provides 10 years of complete long lasting protection with significant benefits over ordinary anti-freeze/water mixtures and heat transfer agents that require changing annually. High boiling point of 180°C enables coolant levels to remain constant even under arduous or competition conditions (anti-foaming agents eliminate engine hotspots in competition). Anti-freeze protection down to -42°C avoids frost expansion damage even in harsh conditions.

Provides corrosion protection to engine, forming a protective barrier. Colour indicator provides an instant safety check to warn of head gasket failure (Forlife changes colour in the presence of corrosive gasses). Reusable after gasket fault is rectified, returning to its normal colour.

50 1729/8760 Castrol Anti-Freeze - 1 Litre A/R
For all year round use in cast iron or aluminium engines. A 3:1 mix will protect down to -17°C.

51 Z222 Flexi Driver - Jubilee Hose Clip Fastening .1 Easy way to deal with hard-to-get-to Jubilee hose clips



EXHAUST:

SYSTEMS

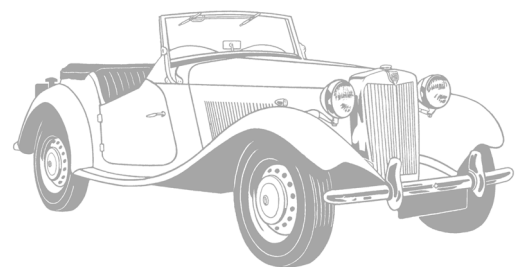
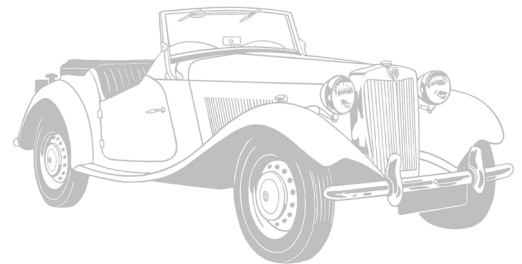
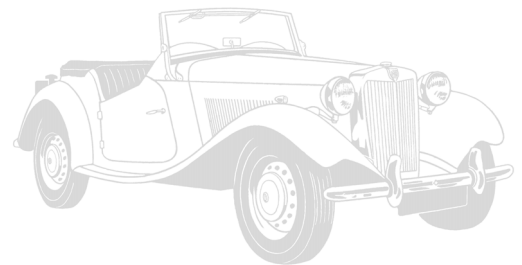
MANIFOLDS

FITTING KITS

BANDAGE

PASTE

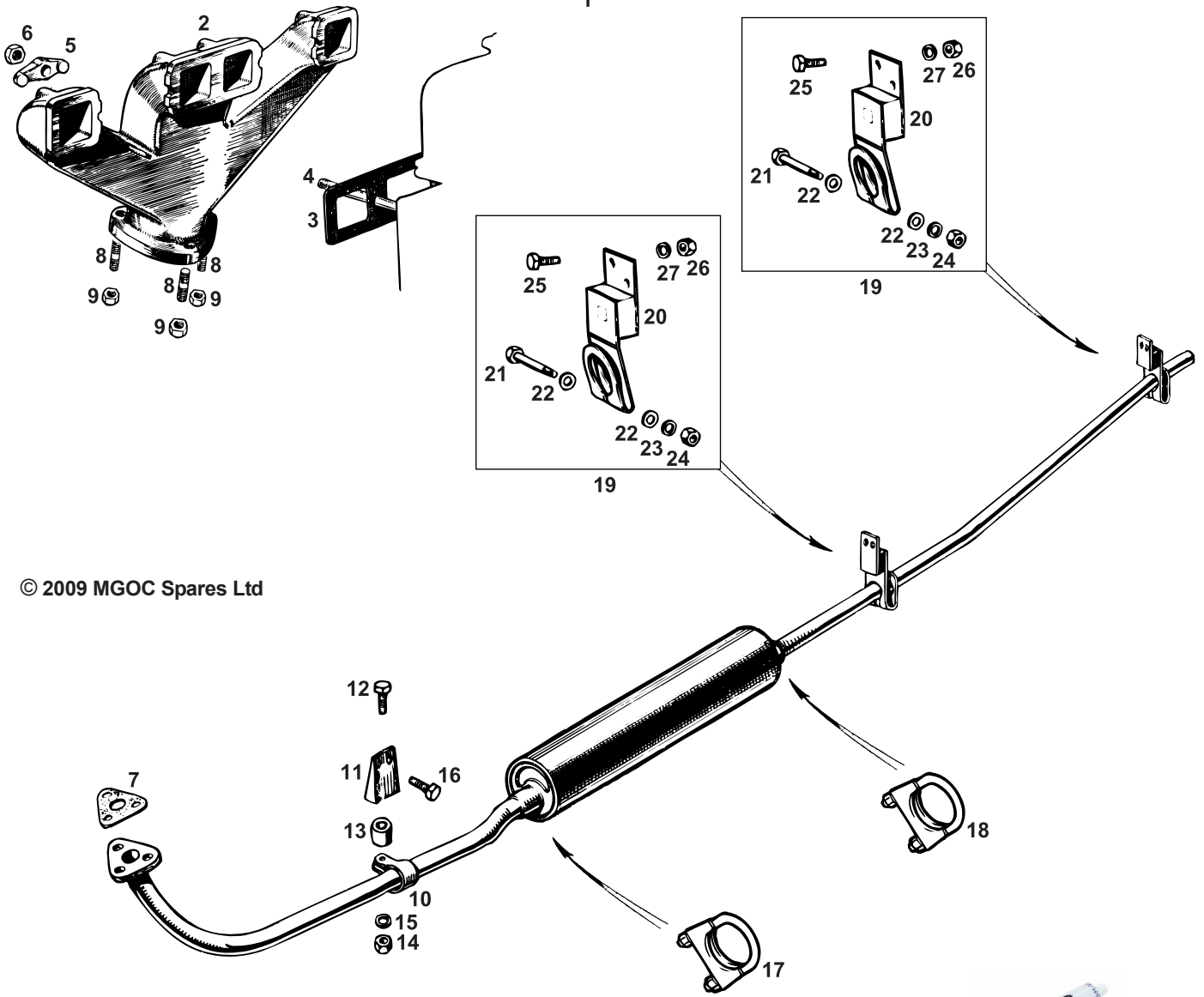
PAINT



MGOC Spares & Accessories, Octagon House, Swavesey, Cambridge CB24 4QZ
Tel: 01954 230928 and 01954 231318 Email: sales@mgocspares.co.uk

**B105
Stainless Exhaust System**

1



© 2009 MGOC Spares Ltd



1 B105 Club Stainless Steel Exhaust System 1 With mirror finish silencer and lifetime guarantee
 Manufactured by Double S Exhausts, Britain's premier stainless exhaust manufacturer. Made from 309 and 401 grade stainless steel with mirror finish silencers, each system is produced to accurate tolerances for easy DIY fitment and comes with a lifetime guarantee.

2	SA2439/1	Manifold - Exhaust	1	
3	AAA3082	Gasket - Manifolds to Head	1	
4	AAA5773	Stud - Manifolds to Head	4	
5	AAA5772	Clamp - Manifolds to Head	4	
6	CA1126	Nut	4	
7	AAA222	Gasket - Manifold to Downpipe	1	
8	CA1119	Stud - Manifold to Downpipe Flange	3	
9	CA1605	Nut - Brass	3	
10	ARG565	Clamp - Front Pipe to Gearbox Bracket	1	
11	AAA1502	Bracket - Exhaust to Gearbox	1	
12	GHF104	Bolt - Clamp to Bracket	1	
13	N180102	Spacer - Clamp	1	
14	GHF201	Nut	1	
15	GHF332	Washer - Spring	1	
16	AJD6208Z	Bolt - Bracket to Gearbox	2	
17	GEX9008	Clamp - Front Pipe to Silencer	1	
18	GEX9007	Clamp - Silencer to Tail Pipe	1	
19	EFK2	Mounting Kit - Rear	2	
20	GEX7275	Mounting - Rear	2	} Included in mounting kit
21	BH604221	Bolt - Pinch	2	
22	GHF300	Washer - Plain	4	
23	GHF331	Washer - Spring	2	
24	GHF200	Nut	2	
25	GHF117	Bolt - Mounting to Chassis	4	
26	GHF200	Nut	4	
27	GHF331	Washer - Spring	4	
28	C061	Exhaust Manifold Wrap	1	

Thermal protection plus extra horsepower! Easy to fit, using C067 Wrap Fixings Set.

29	C067	Exhaust Wrap Fix Set	1
30	C068	Exhaust Aluminium Cloth - 1m x 1m	1

This aluminised fabric sheeting has a multitude of uses, including engine bay and bonnet protection.

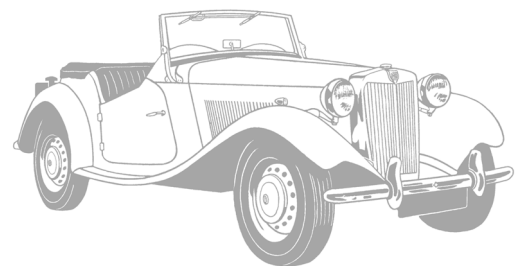
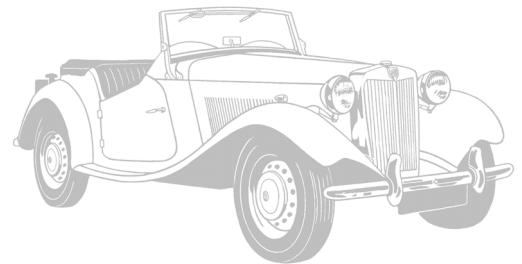
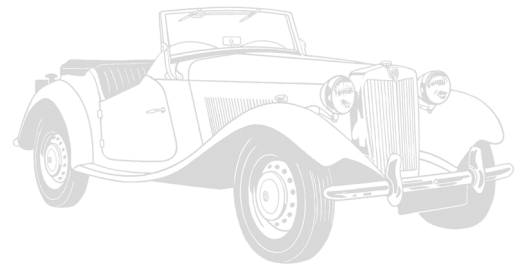
31	C051	High Temperature Exhaust Paint - Black A/R	
31	C050	High Temperature Exhaust Paint - Silver A/R	
31	C052	High Temperature Exhaust Paint - Red A/R	
31	C053	High Temperature Exhaust Paint - White A/R	
32	C097	Exhaust Jointing Seal	A/R

**Telephone: 01954 230928 Fax: 01954 231923, Email: sales@mgocspares.co.uk
 Buy Online at www.mgocspares.co.uk**

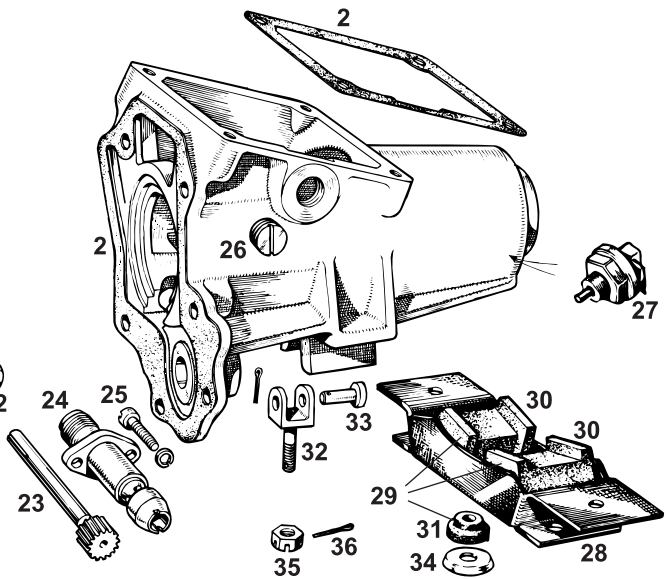
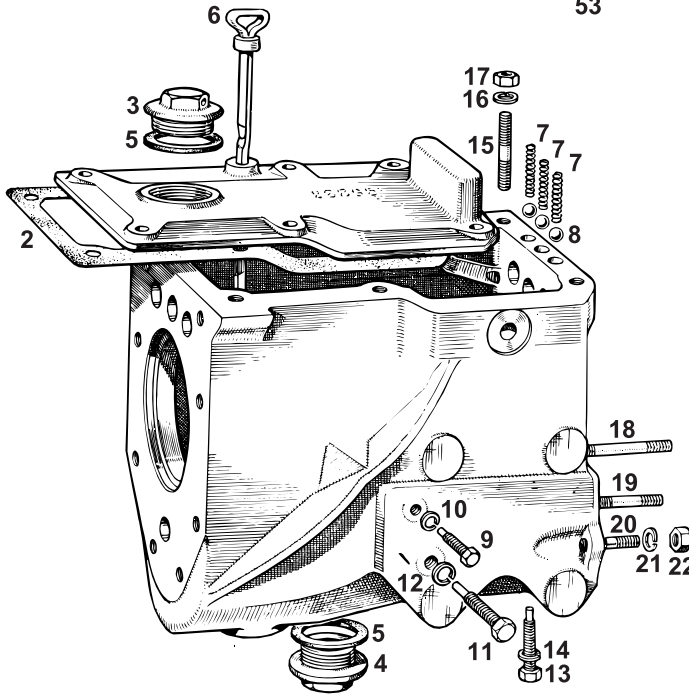
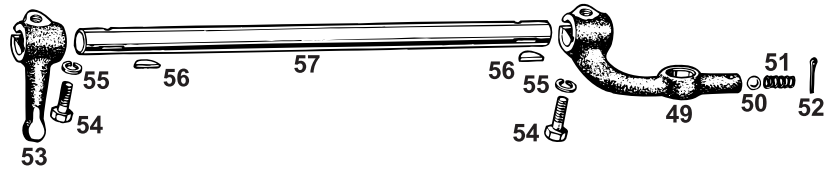
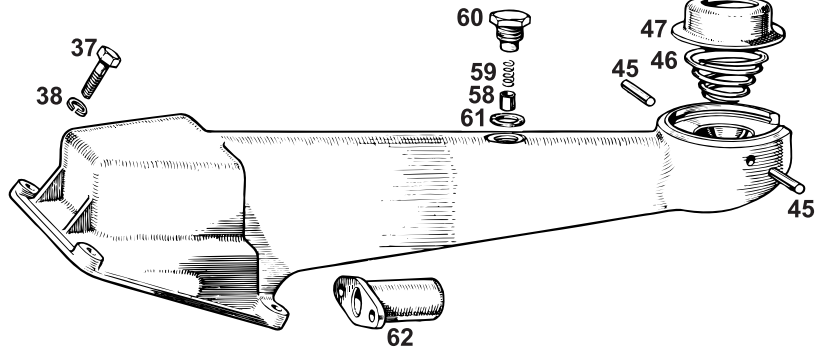
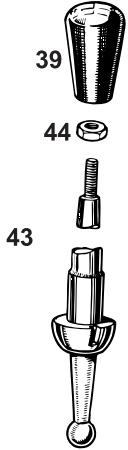
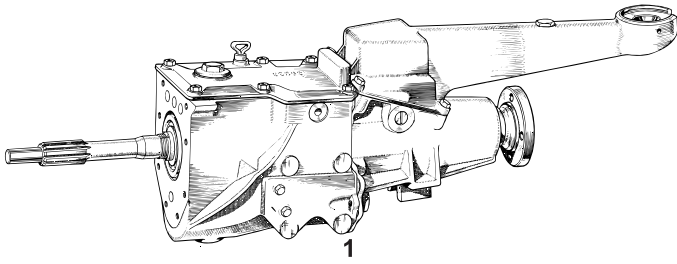


TRANSMISSION:

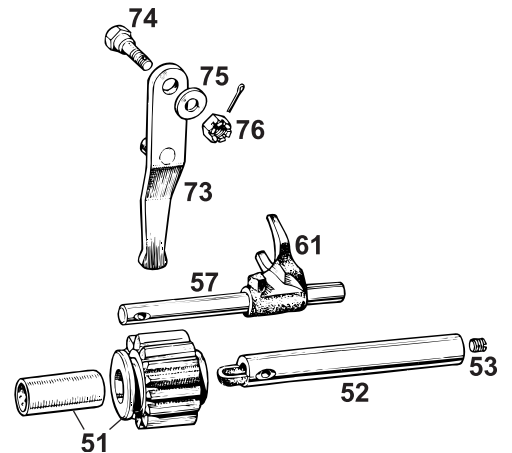
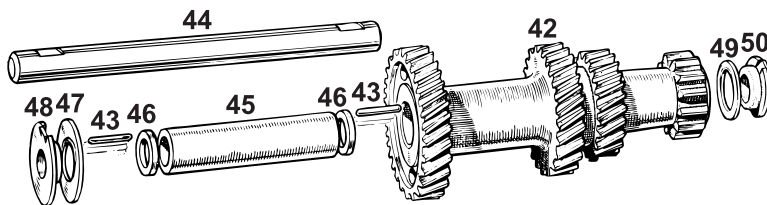
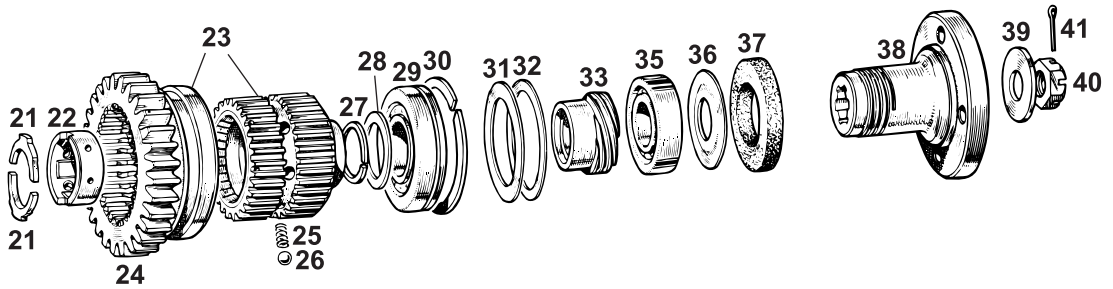
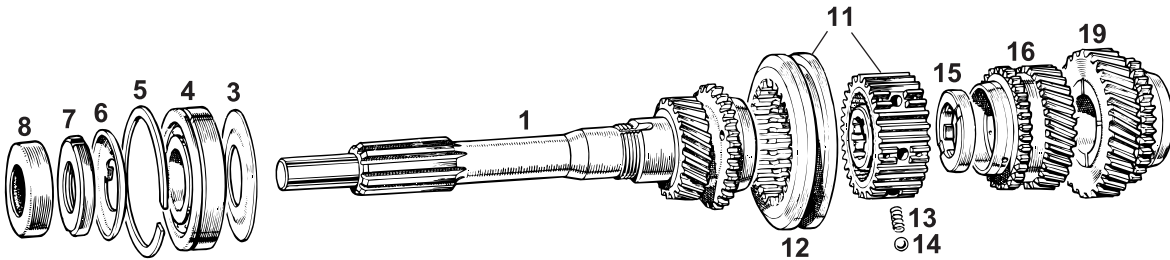
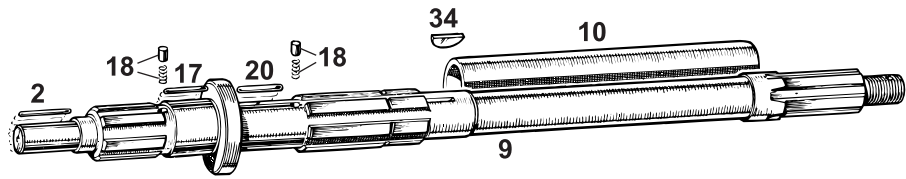
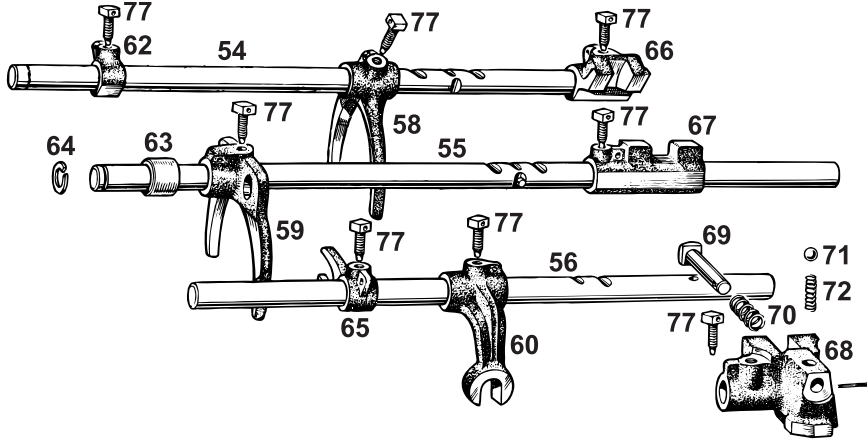
EXTERNAL GEARBOX
GEARBOX MOUNTINGS
INTERNAL GEARBOX



MGOC Spares & Accessories, Octagon House, Swavesey, Cambridge CB24 4QZ
Tel: 01954 230928 and 01954 231318 Email: sales@mgocspares.co.uk



1	SA2906/9E	Gearbox Ass'y - Recon (customer's own unit)	. 1] TD to eng. no. 9407 (7 1/4" clutch models)	
1	AEB3027E	Gearbox Ass'y - Recon (customer's own unit)	. 1] TD from eng. no. 9407 to 16481 (8" clutch models without selector shaft support cap on remote)
1	AEB3028E	Gearbox Ass'y - Recon (customer's own unit)	. 1		
2	BGK108	Gasket Set - Gearbox	. 1		
3	SA1340	Plug - Oil Filler	. 1		
4	CA1215	Plug - Oil Drain	. 1		
5	6K432	Washer - Filler and Drain Plugs	. 2		
6	AAA5805	Dipstick	. 1		
7	AEC3189	Spring - Selector Shaft - In Casing	. 3		
8	BLS110	Ball - Selector Shaft - In Casing	. 3		
9	X15141	Bolt - Locking Reverse Fork Shaft	. 1		
10	CA1282	Washer - Spring	. 1		
11	X22655	Bolt - Locking Reverse Gear Shaft	. 1		
12	CA1283	Washer - Spring	. 1		
13	AAA5644	Bolt - Locking Layshaft	. 1		
14	CA1283	Washer - Spring	. 1		
15	CB1717	Stud - Top Cover to Gear Case	. 6		
16	CA1283	Washer - Spring	. 6		
17	CA1126	Nut	. 6		
18	X20505	Stud - Rear Housing to Gear Case	. 1	Long	
19	JB5968	Stud - Rear Housing to Gear Case	. 3	Medium	
20	CB1717	Stud - Rear Housing to Gear Case	. 2	Short	
21	CA1283	Washer - Spring	. 6		
22	CA1126	Nut	. 6		
23	X22797	Pinion - Speedometer Gear	. 1	5.125:1 rear axle ratio (TD standard)	
23	AAA5435	Pinion - Speedometer Gear	. 1	4.875:1 rear axle ratio (TD option, TF standard)	
23	AAA5429	Pinion - Speedometer Gear	. 1	4.55:1 rear axle ratio (TD option)	
24	AAA5843	Housing - Speedometer Pinion	. 1		
25	CB1979	Screw - Housing	. 2		
26	AEC385	Plug - Reversing Light Switch Hole	. 1	Most models (without reversing lights)	
27	BAU1074	Switch - Reversing Light	. 1	If reversing lights fitted	
28	AAA2161	Bracket - Rear Engine Mounting	. 1		
29	AAA2419K	Engine Mounting Rubber Kit - Rear	. 1] Included in mounting rubber kit	
30	AAA2419	Engine Mounting Rubber - Rear	. 2		
31	AAA1320	Rebound Rubber - Rear	. 1		
32	AAA1319	Fork - Rear Mounting	. 1		
33	CLZ517	Clevis Pin	. 1		
34	ACA5379	Washer - Cup	. 1		
35	AJD8305Z	Nut	. 1		
36	GHF501	Split Pin	. 1		
37	CA1258	Bolt - Remote to Rear Housing	. 4		
38	CA1283	Washer - Spring	. 4		
39	AAA5468	Gear Knob	. 1	Original type	
40	R280	Gear Knob - Wood	. 1		
41	R281	Gear Knob - Leather - Black	. 1		
42	R282	Gear Knob - Leather - Tan	. 1		
43	AAA5582	Gear Lever	. 1		
44	X31214	Nut - Gear Lever - Chrome	. 1		
45	AEG3106	Pin - Gear Lever	. 2		
46	AEG3105	Spring - Gear Lever	. 1		
47	AEG3104	Retainer - Gear Lever	. 1		
48	AEG3103	Circlip - Retainer	. 1		
49	AAA5583	Selector Lever - Remote - Rear	. 1		
50	BLS108	Ball - Rear Lever	. 1		
51	AEG3123	Spring - Rear Lever	. 1		
52	GHF503	Split Pin	. 1		
53	AAA5771	Selector Lever - Remote - Front	. 1		
54	RA12104	Bolt - Selector Levers	. 2		
55	CA1282	Washer - Spring	. 2		
56	JA5732	Key - Woodruff	. 2		
57	AAA5827	Selector Shaft - Remote	. 1		
58	AEG3124	Plunger - Selector Shaft	. 1		
59	AEG3123	Spring - Plunger	. 1		
60	AAA5532	Cap - Plunger	. 1		
61	LA7417	Washer - Cap	. 1		
62	AAA3058	Support Cap - Selector Shaft	. 1	TD from eng. no. 16482, TF	
63	G621	Castrol EP90 Gear Oil - 1 Litre	A/R	For gearboxes and differentials requiring SAE90	





MG TD & MG TF



1	AAA5816	First Motion Shaft	1
2	8G2404	Needle Roller - First to Third Motion Shaft	18
3	AAA5600	Guard - First Motion Shaft Bearing	1
4	AEF135	Bearing - First Motion Shaft	1
5	AAA5647	Circlip - Bearing	1
6	AAA5649	Lock Washer - Bearing	1
7	AAA5648	Nut - First Motion Shaft	1
8	AAA5650	Oil Seal - First Motion Shaft	1
9	AAA3057	Mainshaft	1
10	X22886	Distance Piece	1
11	AAA5811	Sleeve Assembly - 3rd/4th Speed	1
12	SA2435/2	Sliding Hub - 3rd/4th Speed	1
13	AAA5812	Spring - Sliding Hub	6
14	BLS110	Ball - Sliding Hub	7
15	AAA5440	Collar - 3rd Speed Gear	1
16	AAA5813	Gear - 3rd Speed	1
17	MA3839/3K	Needle Roller Set - 3rd Speed Gear	1
18	AEC3181K	Plunger and Spring Set - Mainshaft	2
19	AAA5814	Gear - 2nd Speed	1
20	MA3839/2K	Needle Roller Set - 2nd Speed Gear	1
21	AAA5639	Washer - Half - 2nd Speed Gear	2
22	AAA5640	Collar - 2nd Speed Gear	1
23	AAA5815	Gear - 1st Speed	1
24	SA2434/1	Sliding Hub - 1st/2nd Speed	1
25	AEC3179	Spring - Sliding Hub	6
26	BLS110	Ball - Sliding Hub	6
27	AAA5641	Circlip - Bearing - Front	1
28	AAA5685	Washer - Bearing	1
29	AEF137	Bearing - Mainshaft - Centre	1
30	AAA5636	Circlip - Bearing - Rear	1
31	AAA5423	Guard - Mainshaft Centre Bearing	1
32	AAA5438	Spring Plate - Mainshaft Centre Bearing	1
33	X22900	Gear - Speedometer Drive	1
33	X24440	Gear - Speedometer Drive	1
33	AAA5836	Gear - Speedometer Drive	1
34	WKN305	Key - Woodruff - Speedometer Drive Gear	1
35	97H551	Bearing - Mainshaft - Rear	1
36	AAA5467	Guard - Mainshaft Rear Bearing	1
37	2K7140	Oil Seal - Felt	1
38	AAA6382	Drive Flange	1
39	AAA5207	Washer - Drive Flange Nut	1
40	AAA5454	Nut - Drive Flange	1
41	GHF504	Split Pin	1
42	AAA5806	Laygear	1
43	AAA5604	Needle Roller - Laygear	28
44	AAA5954	Layshaft	1
45	X35015	Distance Tube	1
46	AAA5605	Washer - Needle Rollers	2
47	AAA5784	Washer - Thrust - Front	1
48	AAA5782	Plate - Front Thrust Washer	1
49	AAA5785	Washer - Thrust - Rear	1
50	AAA5783	Plate - Rear Thrust Washer	1
51	SA2256	Idler Gear - Reverse - With Bush	1
52	AAA5451	Shaft - Reverse Idler Gear	1
53	LA7395	Plug - Reverse Idler Gear Shaft	1
54	AAA5837	Selector Shaft - 1st/2nd Speed	1
55	SA2402/5	Selector Shaft - 3rd/4th Speed	1
56	AAA5824	Selector Shaft - Reverse Gear	1
57	X22665	Selector Shaft - Reverse Fork	1
58	AAA5686	Fork - 1st/2nd Speed	1
59	AAA5651	Fork - 3rd/4th Speed	1
60	X22892	Fork - Reverse Gear - Upper	1
61	AAA5817	Fork - Reverse Gear - Lower	1
62	AAA5682	Stop - 2nd Speed	1
63	AAA5680	Spacer - 3rd/4th Selector Shaft	1
64	AAA5826	Circlip - 3rd/4th Selector Shaft	1
65	AAA5681	Steady - Reverse Selector Shaft	1
66	AAA5687	Selector - 1st/2nd Speed	1
67	SA2273	Selector - 3rd/4th Speed	1
68	AAA5688	Selector - Reverse Gear	1
69	X17186	Plunger - Reverse Gear Selector	1
70	AEG3107	Spring - Plunger	1
71	BLS110	Ball - Reverse Gear Selector	1
72	AEG3102	Spring - Ball	1
73	SA2272	Link - Reverse Gear Operating	1
74	X17350	Fulcrum Pin - Link	1
75	X15176	Washer - Fulcrum Pin	1
76	JA5088	Nut - Fulcrum Pin	1
77	MA3641	Lock Bolt - Selectors and Forks	8

Set of 32 needles

Set of 28 needles

5.125:1 rear axle ratio (TD standard)
4.875:1 rear axle ratio (TD option, TF standard)
4.55:1 rear axle ratio (TD option)
TD from eng. no. 16978, TF



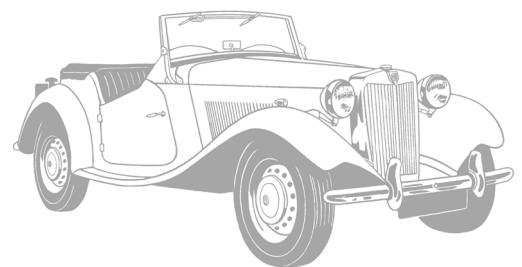
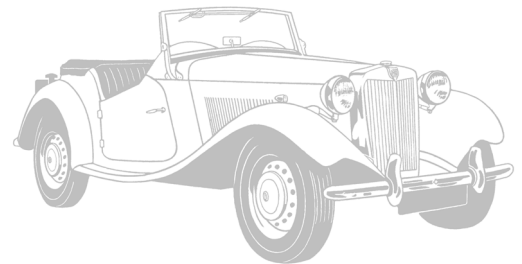
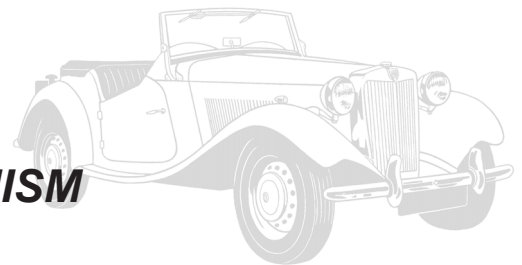
DRIVE TRAIN:

CLUTCH

CLUTCH OPERATING MECHANISM

PROPSHAFT

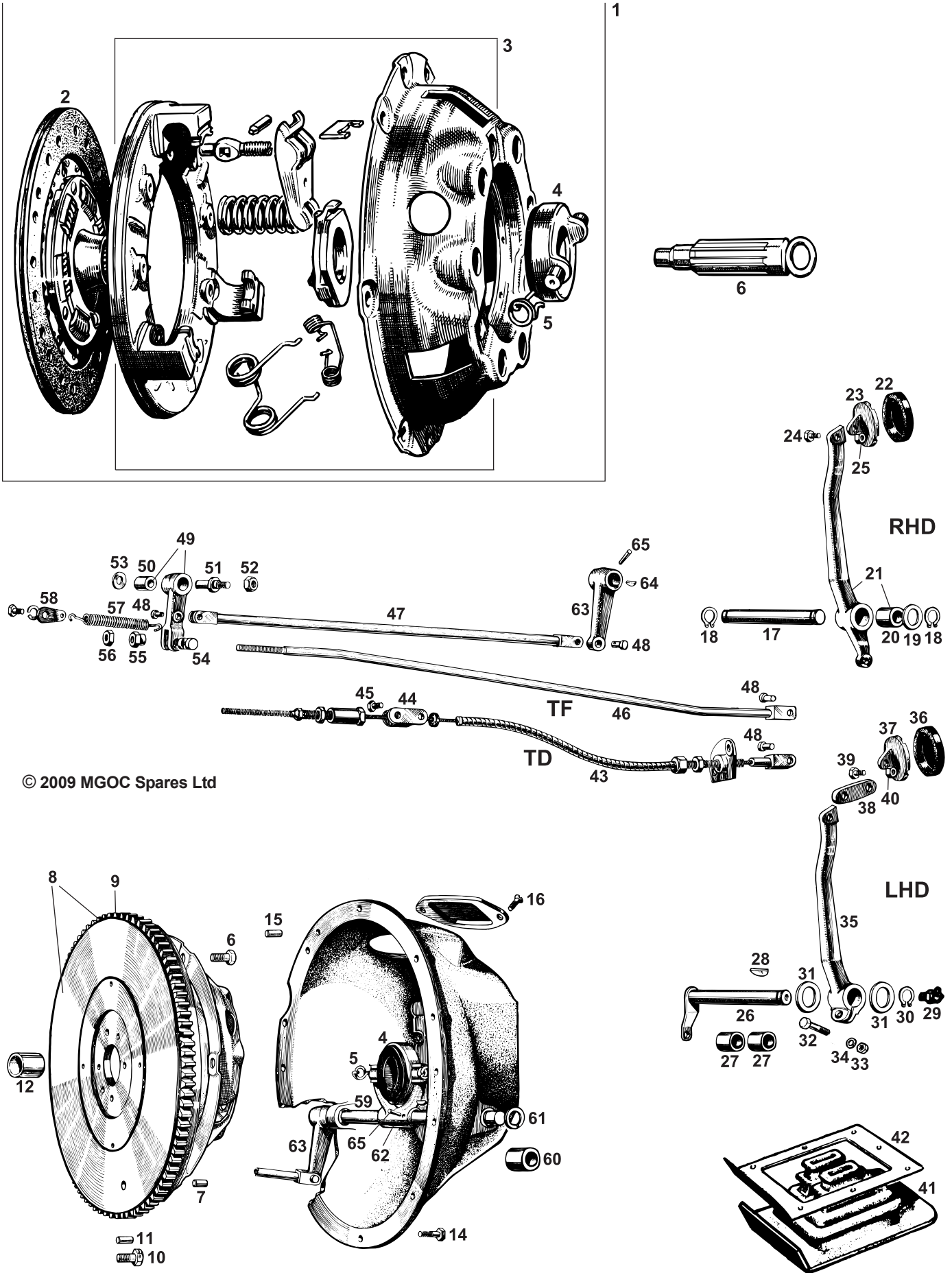
REAR AXLE



MGOC Spares & Accessories, Octagon House, Swavesey, Cambridge CB24 4QZ
Tel: 01954 230928 and 01954 231318 Email: sales@mgocspares.co.uk



**MG TD
&
MG TF**



© 2009 MGOC Spares Ltd



**MG TD
&
MG TF**



1	GCK257AF	Clutch Kit - 3 Piece	1
2	GCP148	Driven Plate - Clutch	1
2	GCP132	Driven Plate - Clutch	1
3	GCC114	Cover - Clutch	1
3	GCC108	Cover - Clutch	1
4	GRB103	Release Bearing - Clutch	1
5	7H3048	Clip - Release Bearing	2
6	CA1122	Bolt - Clutch Cover to Flywheel	6
7	AE3101	Dowel - Clutch Cover to Flywheel	2
8	SA2252/1E	Flywheel with Ring Gear - Reconditioned	1
8	SA2252/2E	Flywheel with Ring Gear - Reconditioned	1
9	AAA5832	Ring Gear - 10 3/8" Internal Diameter	1
9	AAA3048	Ring Gear - 10 3/4" Internal Diameter	1
10	AAA5243	Bolt - Flywheel to Crankshaft	4
11	AAA5703	Dowel - Flywheel to Crankshaft	2
12	1G765	Bush - Spigot - Crankshaft	1
13	GAC5056	Clutch Alignment Tool	1
14	JA5052	Bolt - Bell Housing to Engine	10
15	AE3101	Dowel - Bell Housing to Engine	2
16	X22043	Screw - Cover Plate to Bell Housing	2
17	AAA2204	Pedal Shaft	1
18	CCN112	Circlip - Shaft	2
19	N136478	Washer - Pedal Spacing	1
20	AAA5828	Bush - Clutch Pedal	1
21	N136468	Clutch Pedal - With Bush	1
22	ACA5359	Rubber Pad - Clutch Pedal	1
23	AAA5403	Alloy Pad - Clutch Pedal	1
24	JA5052	Bolt - Alloy Pad to Pedal	1
25	CA1126	Nut	1
26	AAA2241	Pedal Shaft - With Lever	1
27	AAA5531	Bush - Pedal Shaft - In Chassis	2
28	WKN505	Key - Woodruff - Shaft	1
29	UHN445	Grease Nipple	1
30	CCN112	Circlip - Shaft	1
31	N136478	Washer - Pedal Spacing	2
32	AJD6212Z	Bolt - Pinch	1
33	AJD8015Z	Nut	1
34	GHF332	Washer - Spring	1
35	N136470	Clutch Pedal	1
36	ACA5359	Rubber Pad - Clutch Pedal	1
37	AAA5403	Alloy Pad - Clutch Pedal	1
38	AAA4935	Extension - Clutch Pedal	1
39	JA5052	Bolt - Alloy Pad and Extension to Pedal	2
40	CA1126	Nut	2
41	AAA588	Fume Excluder - Pedals - Rubber	1
42	AAA589	Retainer - Fume Excluder	1
43	AAA1347	Cable - Clutch Operating	1
44	AAA5801	Bracket - Cable to Engine	1
45	AJD6205Z	Bolt - Bracket to Engine	2
46	AAA5016	Rod - Clutch Operating	1
47	AAA1350	Connecting Rod - Clutch Operating	1
48	CLZ414	Clevis Pin	3
49	SA2436	Lever - Clutch Operating - With Bush	1
50	AAA5225	Bush - Lever	1
51	AAA5802	Fulcrum Pin	2
52	AJD8306Z	Nut	2
53	GHF304	Washer - Plain	1
54	AAA1349	Pin - Clutch Adjustment	1
55	AAA1348	Nut - Clutch Adjustment	1
56	CA1254	Nut - Locking	1
57	AAA1601	Spring - Clutch Return	1
58	AAA5800	Anchor Bracket - Spring to Engine	1
59	X24482	Cross Shaft - Clutch	1
60	AAA5484	Bush - Cross Shaft	2
61	AAA5882	Circlip - Cross Shaft	1
62	AAA5678	Actuating Fork	1
63	X24201	Lever - Cross Shaft	1
64	JA5255	Key - Woodruff	1
59	AAA3050	Cross Shaft - Clutch	1
60	AAA5531	Bush - Cross Shaft	2
61	AAA5475	Circlip - Cross Shaft	1
62	AAA5474	Actuating Fork	1
63	AAA3049	Lever - Cross Shaft	1
64	WKN505	Key - Woodruff	1
65	MA3678	Pin - Taper - Cross Shaft Lever and Fork	2
65	BTB715	Pin - Cross Shaft Lever and Fork	2

TD from eng. no. 9408, TF (8" clutch)
 TD to eng. no. 9407 (7 1/4" clutch)
 TD from eng. no. 9408, TF (8" clutch)
 TD to eng. no. 9407 (7 1/4" clutch)
 TD from eng. no. 9408, TF (8" clutch)

TD to eng. no. 9407; customer's own unit reconditioned
 TD from eng. no. 9408, TF; customer's own unit reconditioned
 TD to eng. no. 9407
 TD from eng. no. 9408, TF

RHD

LHD

TD to ch. no. 22250

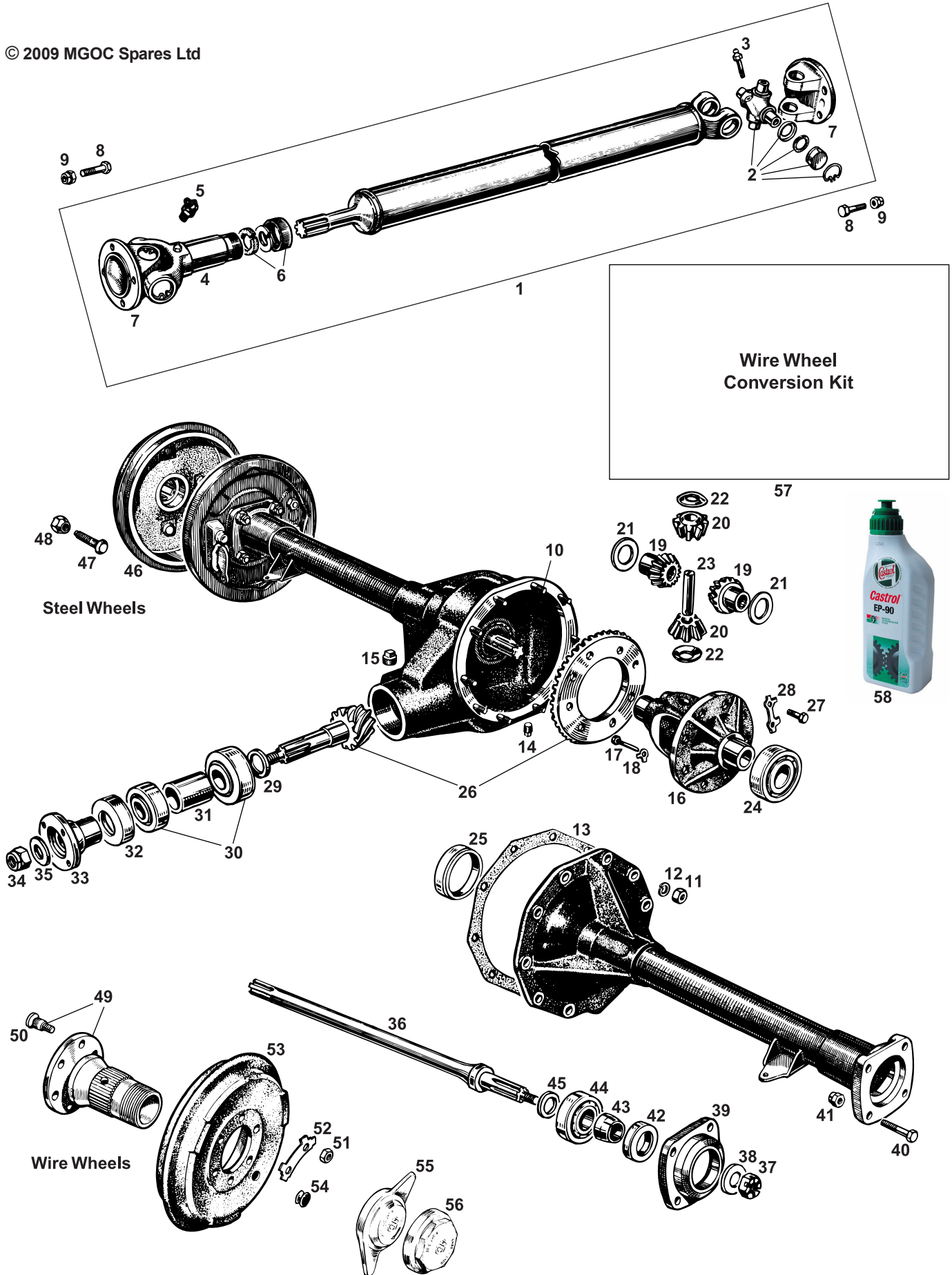
TD from ch. no. 22251, TF

TD to eng. no. 9407 (7 1/4" clutch, 5/8" cross shaft)

TD from eng. no. 9408, TF (8" clutch, 3/4" cross shaft)

Original Type
 Replacement Type

© 2009 MGOC Spares Ltd





**MG TD
&
MG TF**



1	AAA2136	Propshaft Assembly - New1	
1	AAA2136E	Propshaft Assembly - Reconditioned1	Customer's own unit reconditioned
2	GUJ115	Universal Joint - Greasable2	
2	GUJ101	Universal Joint - Sealed2	Alternative
3	7H3858	Grease Nipple - Universal Joint2	GUJ115 joint only
4	7H3865	Yoke - Front - Flanged Joint Type1	
5	549229	Grease Nipple - Yoke1	
6	7H3880X	Seal and Cap - Yoke - Improved Design1	
7	7H3863	Flange2	
8	AAA4039	Bolt - Flange8	
9	LNZ105	Nut8	
10	N101856	Stud - Axle Cover - BSF Thread10] TD to ch. no. 12284] TD to ch. no. 12284
11	AJD8106Z	Nut10	
10	ATC7461	Stud - Axle Cover - UNF Thread10] TD from ch. no. 12285, TF] TD from ch. no. 12285, TF
11	GHF202	Nut10	
12	GHF333	Washer - Spring10	
13	AAA978	Gasket - Axle Cover1	
14	N000958Z	Plug - Drain - BSF Thread1] TD to ch. no. 12284] TD to ch. no. 12284
15	N101777	Plug - Filler - BSF Thread1	
14	ADP104	Plug - Drain - UNF Thread1] TD from ch. no. 12285, TF] TD from ch. no. 12285, TF
15	ADP116	Plug - Filler - UNF Thread1	
16	N101529	Cage - Differential - BSF Thread1] TD to ch. no. 12284] TD to ch. no. 12284
17	AAA959	Locking Bolt - Pinion Pin - BSF Thread1	
18	ATC7489	Lock Tab - Pinion Pin Bolt1] TD to ch. no. 12284] TD to ch. no. 12284
19	AAA976	Gear - Differential2	
20	N101524	Gear - Pinion2] TD to ch. no. 12284] TD to ch. no. 12284
16	AAA1086	Cage - Differential - UNF Thread1	
17	ATC7488	Locking Bolt - Pinion Pin - UNF Thread1] TD from ch. no. 12285, TF] TD from ch. no. 12285, TF
18	ATC7489	Lock Tab - Pinion Pin Bolt1	
19	AAA1064	Gear - Differential2] TD from ch. no. 12285, TF] TD from ch. no. 12285, TF
20	AAA1065	Gear - Pinion2	
21	AAA977	Thrust Washer - Differential Gear2] TD from ch. no. 12285, TF] TD from ch. no. 12285, TF
22	AAA975	Thrust Washer - Pinion Gear2	
23	AAA973	Pin - Pinion Gear1	
24	AAA988	Bearing - Differential2	
25	AAA1048	Bearing Collar - 0.495" A/R	
25	AAA1049	Bearing Collar - 0.496" A/R	
25	AAA1050	Bearing Collar - 0.497" A/R	
25	AAA1051	Bearing Collar - 0.498" A/R	
25	AAA1052	Bearing Collar - 0.499" A/R	
25	AAA1053	Bearing Collar - 0.500" A/R	
25	AAA1054	Bearing Collar - 0.501" A/R	
25	AAA1055	Bearing Collar - 0.502" A/R	
25	AAA1056	Bearing Collar - 0.503" A/R	
25	AAA1057	Bearing Collar - 0.504" A/R	
25	AAA1058	Bearing Collar - 0.505" A/R	
25	AAA1059	Bearing Collar - 0.506" A/R	
26	N101902	Crown Wheel and Pinion - 5.125:1 Ratio1] TD to ch. no. 12284. Standard ratio, BSF Thread] TD to ch. no. 12284. Optional ratio, BSF Thread
26	N101910	Crown Wheel and Pinion - 4.875:1 Ratio1	
26	N101593	Crown Wheel and Pinion - 5.444:1 Ratio1] TD to ch. no. 12284. Optional ratio, BSF Thread] TD from ch. no. 12285, TF (standard TD ratio). UNF Thread
26	AAA1090	Crown Wheel and Pinion - 5.125:1 Ratio1	
26	AAA1087	Crown Wheel and Pinion - 4.875:1 Ratio1] TD from ch. no. 12285, TF (optional TD, standard TF ratio). UNF Thread] TD from ch. no. 12285, TF (optional TD ratio). UNF Thread
26	AAA1092	Crown Wheel and Pinion - 5.444:1 Ratio1	
27	AAA1063	Bolt - Crown Wheel - BSF Thread8] TD to ch. no. 12284] TD from ch. no. 12285, TF
27	ATA7232	Bolt - Crown Wheel - UNF Thread8	
28	AAA1110	Lock Tab - Crown Wheel Bolt4	
29	AAA1028	Distance Washer - Pinion - 0.117" A/R	
29	AAA1029	Distance Washer - Pinion - 0.118" A/R	
29	AAA1030	Distance Washer - Pinion - 0.119" A/R	
29	AAA1031	Distance Washer - Pinion - 0.120" A/R	
29	AAA1032	Distance Washer - Pinion - 0.121" A/R	
29	AAA1033	Distance Washer - Pinion - 0.122" A/R	
29	AAA1034	Distance Washer - Pinion - 0.123" A/R	
29	AAA1035	Distance Washer - Pinion - 0.124" A/R	
29	AAA1036	Distance Washer - Pinion - 0.125" A/R	
29	AAA1037	Distance Washer - Pinion - 0.126" A/R	
29	AAA1038	Distance Washer - Pinion - 0.127" A/R	
29	AAA1039	Distance Washer - Pinion - 0.128" A/R	
30	AAA985K	Bearing Set - Pinion - 2 Bearings1	
31	AAA985S	Spacer - Pinion Bearings1	
32	88G320	Oil Seal - Pinion1	
33	ATC7481	Drive Flange - Pinion1	
34	AAA513	Nut - Pinion Flange - BSF Thread1] TD to ch. no. 12284] TD from ch. no. 12285, TF
34	ATC7482	Nut - Pinion Flange - UNF Thread1	
35	ATC7483	Washer - Nut1	
36	AAA1091	Half Shaft - UNF Thread2] Fit with UNF nut if replacing BSF threaded half shaft] TD to ch. no. 12284
37	AAA1006	Nut - Half Shaft - BSF Thread2	
37	ATC7511	Nut - Half Shaft - UNF Thread2] TD from ch. no. 12285, TF
38	ATC7510	Washer - Half Shaft Nut2	

39	AAA983	Housing - Bearing	2	
40	AJD6311Z	Bolt - Housing to Axle Case - BSF Thread	8] TD to ch. no. 12284
41	AJD8136Z	Nut - BSF Thread	8	
40	BH606111	Bolt - Housing to Axle Case - UNF Thread	8] TD from ch. no. 12285, TF
41	GHF223	Nut - UNF Thread	8	
42	GHS179	Oil Seal - Rear Hub	2	
43	AAA982	Collar - Oil Seal	2	
44	GHB158	Bearing - Rear Hub	2	
45	AAA980	Spacer - Bearing	2	
46	AAA455	Brake Drum and Hub - With BSF Studs	2] Steel wheels. TD to ch. no. 12284
47	ATB4162	Stud - Wheel - BSF Thread	10	
48	ATB4163	Nut - Wheel - BSF Thread	10] Steel wheels. TD from ch. no. 12285, TF
46	AAA1089	Brake Drum and Hub - With UNF Studs	2	
47	ATB4097	Stud - Wheel - UNF Thread	10	
48	ATB4100	Nut - Wheel - UNF Thread	10	
49	AAA1112	Rear Hub - RH - With Studs	1] Wire wheels
49	AAA1113	Rear Hub - LH - With Studs	1	
50	ATB4124	Stud - Drum Retaining	12	
51	NT606041	Nut - Drum Retaining	12	
52	ATB4125	Lock Tab - Brake Drum	6	
53	ATB4126	Brake Drum	2	
54	ACG5012	Plug - Rubber - Brake Drum	2	
55	W183R	Spinner - 2 Ear - MG Logo - RH	1	
55	W183L	Spinner - 2 Ear - MG Logo - LH	1	
55	W173R	Spinner - Octagonal - MG Logo - RH	1	
55	W173L	Spinner - Octagonal - MG Logo - LH	1	
56	W???	Wire Wheel Conversion Kit	1	TD
56	W???	Wire Wheel Conversion Kit	1	TF

The correct solution for converting your TD or TF to wire wheels. Kits include splined hubs, brake drums with fixings, spinners (2 eared type), hammer, spare wheel carrier adaptor and spare wheel spinner.

57 G621 Castrol EP90 Gear Oil - 1 Litre A/R For gearboxes and differentials requiring SAE90

**Telephone: 01954 230928 Fax: 01954 231923, Email: sales@mgocspares.co.uk
Buy Online at www.mgocspares.co.uk**



SUSPENSION:

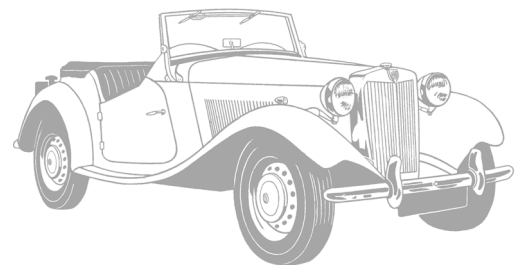
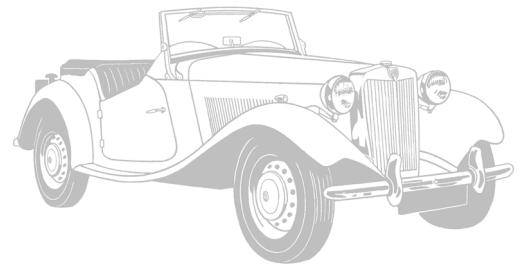
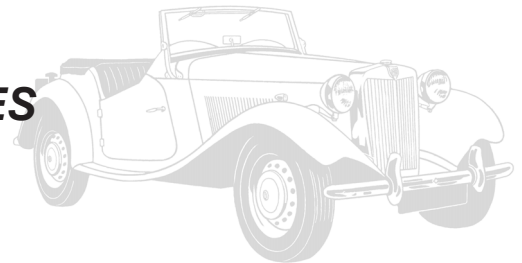
FRONT SPRINGS & WISHBONES

FRONT SHOCK ABSORBERS

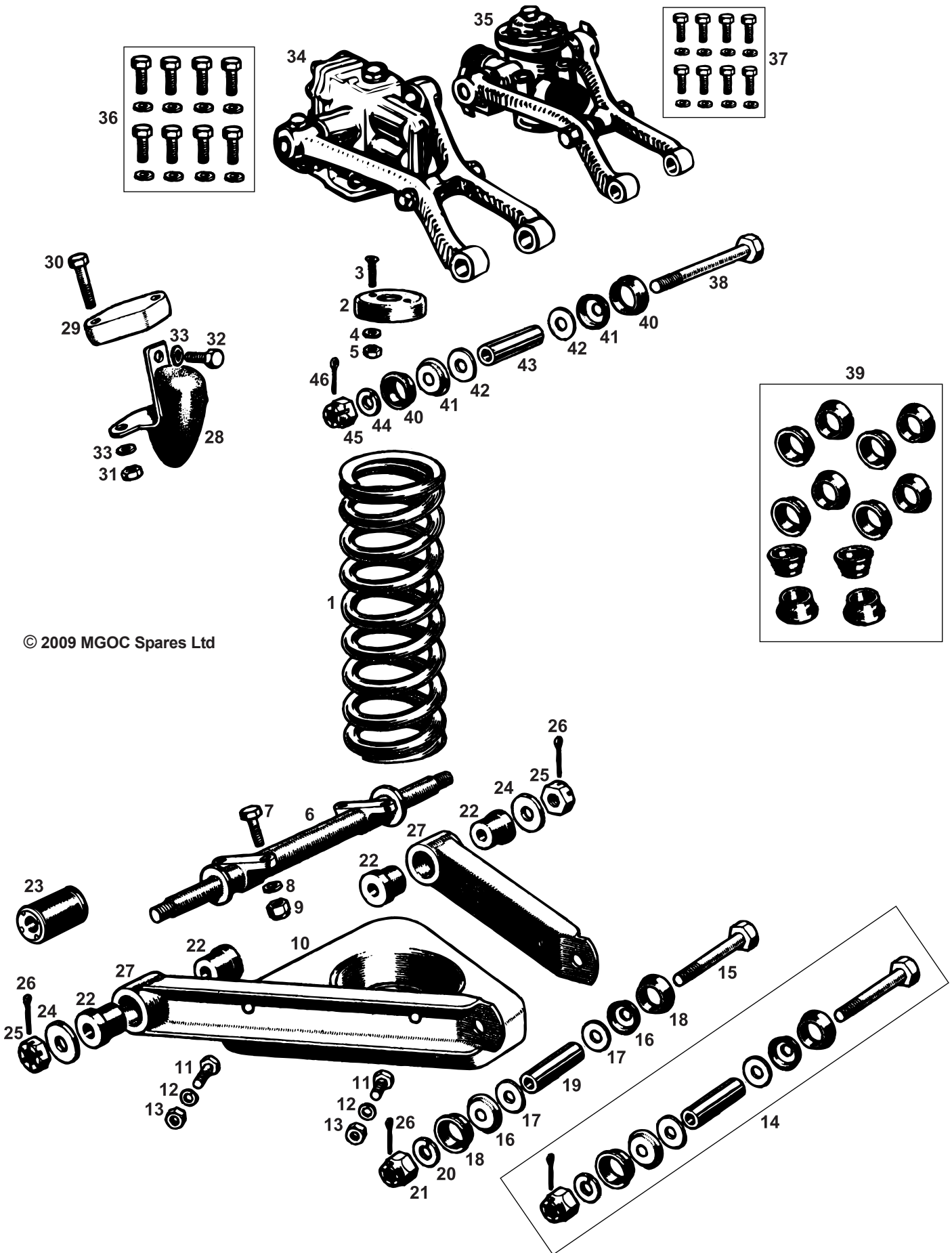
STUB AXLES

REAR SPRINGS

REAR SHOCK ABSORBERS



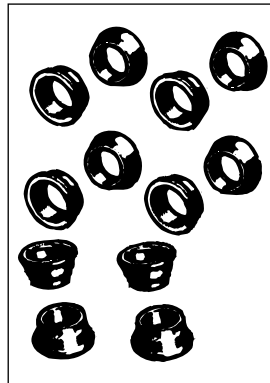
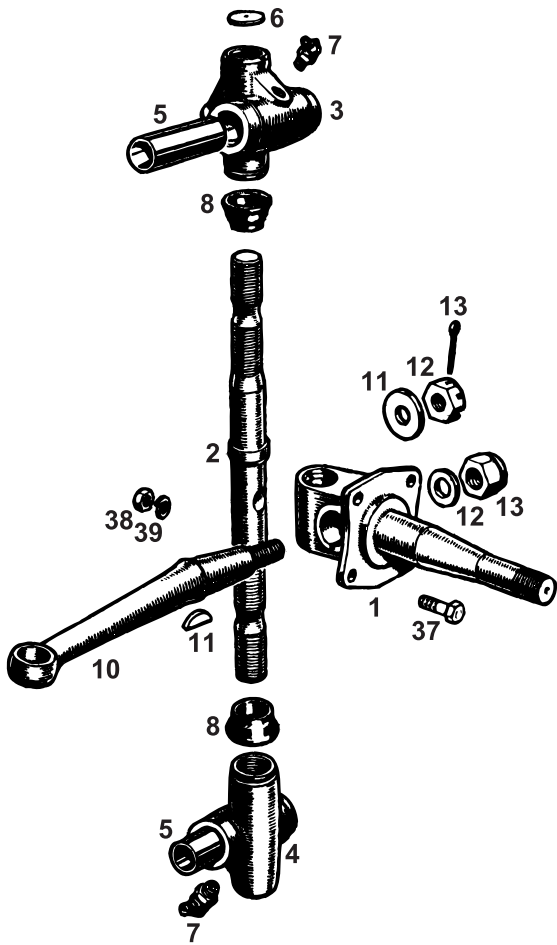
MGOC Spares & Accessories, Octagon House, Swavesey, Cambridge CB24 4QZ
Tel: 01954 230928 and 01954 231318 Email: sales@mgocspares.co.uk



© 2009 MGOC Spares Ltd

1	AAA2371	Coil Spring	2	
2	AHH5897	Spigot - Spring	2	
3	CMZ418	Screw	4	
4	GHF331	Washer - Spring	4	
5	GHF200	Nut	4	
6	AHH4003	Pivot - Wishbone - UNF Thread	2	TD from ch. no. 12285, TF. Fit with UNF nuts on earlier models.
7	ACB5255	Bolt - Pivot to Chassis	8	
8	GHF333	Washer - Spring	8	
9	GHF223	Nut - Nyloc	8	
9	LNZ106	Nut - Stiff	8	Alternative
10	AHH5925	Spring Seat	2	
11	AJD6208Z	Screw	8	
12	GHF332	Washer - Spring	8	
13	AJD8105Z	Nut	8	
14	BHH1773K	Bottom Trunnion Assembly - UNF Thread	2	TD from ch. no. 12285, TF. May be fitted to earlier models.
15	AAA1570	Trunnion Bolt - BSF Thread	2	TD to ch. no. 12284
15	AHH4001	Trunnion Bolt - UNF Thread	2	TD from ch. no. 12285, TF
16	AAA1324	Seal Support	4	
17	AAA1390	Thrust Washer	4	
18	AAA1323	Seal - Bottom Trunnion	4	
19	BHH1773	Distance Tube	2	
20	GHF335	Washer - Spring	2	
21	AJD8508Z	Nut - Slotted - BSF Thread	2	TD to ch. no. 12284
21	ND608041	Nut - Slotted - UNF Thread	2	TD from ch. no. 12285, TF
22	AHH7933	Bush - Wishbone - Inner	8	Original fitment
22	AHH7933P	Bush - Wishbone - Inner	8	Race
22	AHH7933Q	Bush - Wishbone - Inner	8	Road
23	BHH1123	Bush - Wishbone - Inner	4	Heavy duty one-piece alternative to AHH7933 (MGB V8 item)
24	AAA1330	Washer - Bush	4	
25	AJD8408Z	Nut - Slotted - BSF Thread	4	TD to ch. no. 12284
25	ND608041	Nut - Slotted	4	TD from ch. no. 12285, TF
25	GHF225	Nut - Nyloc	4	TD from ch. no. 12285, TF. Alternative
26	GHF504	Split Pin	6	
27	AAA1326	Arm - Wishbone	4	
28	AAA5023	Bump Stop	2	
Note that this bump stop is the later type that requires an alloy spacer (AAA5024) when fitting. The earlier type bump stop, which does not require the spacer, is not available.				
29	AAA5024	Spacer - Bump Stop	2	
30	AJD6212Z	Bolt	4	
31	AJD8105Z	Nut	4	
32	AJD6204Z	Screw	2	
33	GHF332	Washer - Spring	6	
34	ACG4023E	Shock Absorber - Armstrong - Recon	2	} Customer's own unit reconditioned
35	AAA2153E	Shock Absorber - Girling - Recon	2	
36	ACG4023FK	Bolt Kit - Shock Mounting - Armstrong	1	} Includes 8 pairs of bolts and washers
37	AAA2153FK	Bolt Kit - Shock Mounting - Girling	1	
38	AAA1569	Pin - Top Trunnion - BSF Thread	2	TD to ch. no. 12284
38	AHH4002	Pin - Top Trunnion - UNF Thread	2	TD from ch. no. 12285, TF
39	ACG4030K	Seal Kit	1	Includes 8 top and bottom trunnion seals and 4 swivel pin to trunnion seals
40	AAA1323	Seal - Top Trunnion	4	
41	AAA1324	Seal Support	4	
42	AAA1390	Thrust Washer	4	
43	BHH1773	Distance Tube	2	
44	GHF335	Washer - Spring	2	
45	AJD8508Z	Nut - Slotted - BSF Thread	2	TD to ch. no. 12284
45	ND608041	Nut - Slotted - UNF Thread	2	TD from ch. no. 12285, TF
46	GHF504	Split Pin	2	

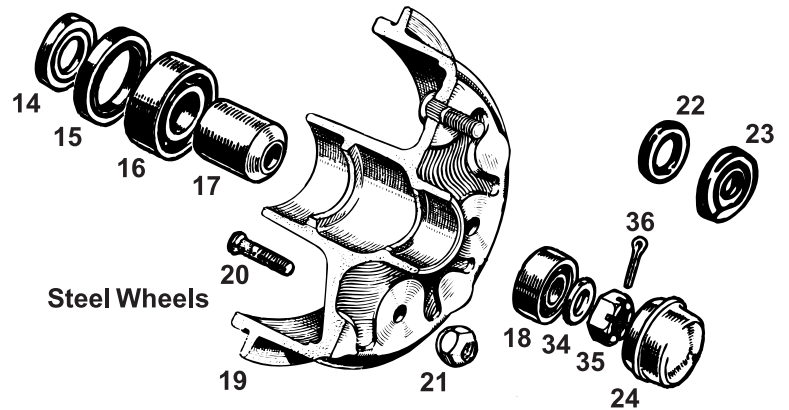
**Telephone: 01954 230928 Fax: 01954 231923, Email: sales@mgocspares.co.uk
Buy Online at www.mgocspares.co.uk**



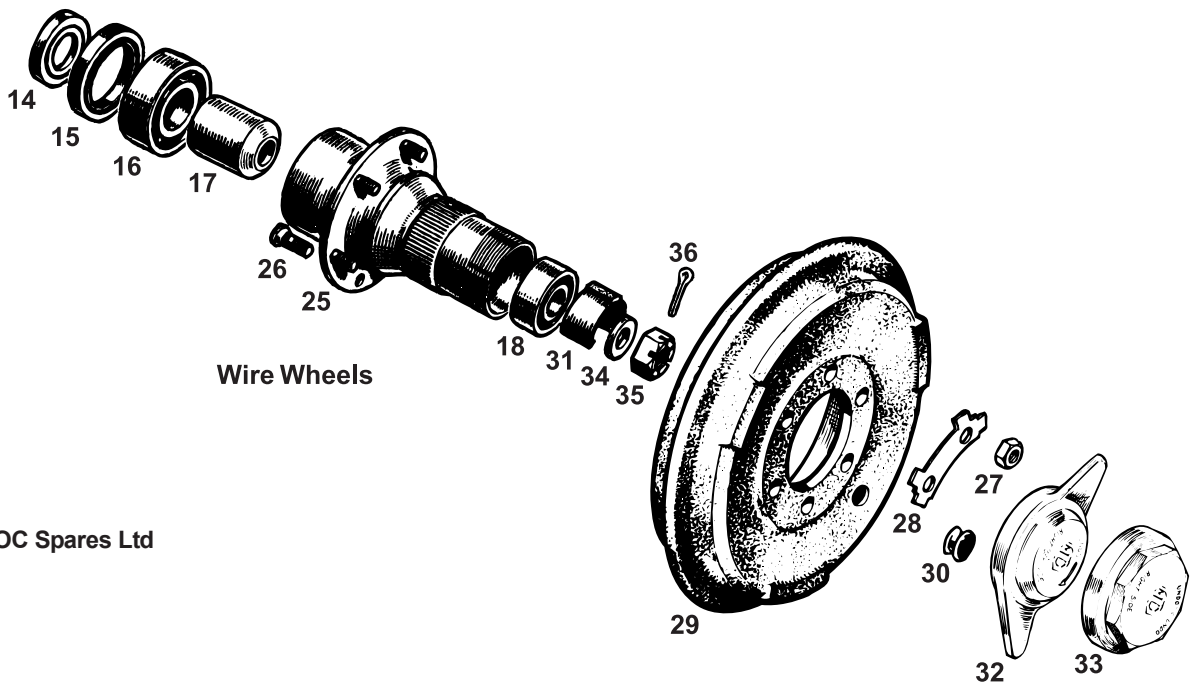
9



40



Steel Wheels

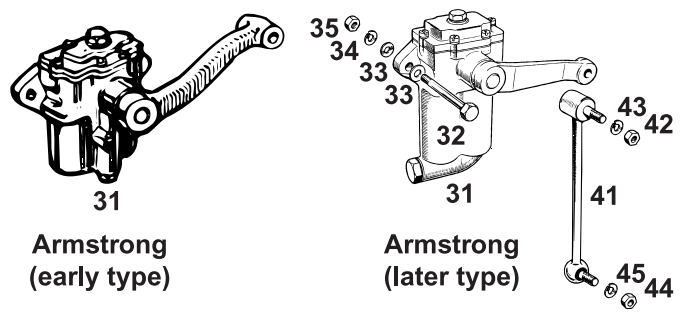
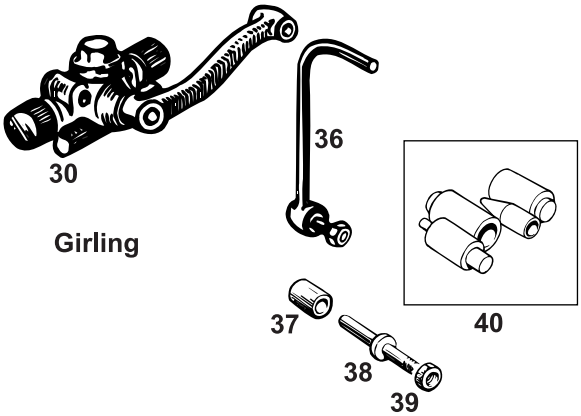
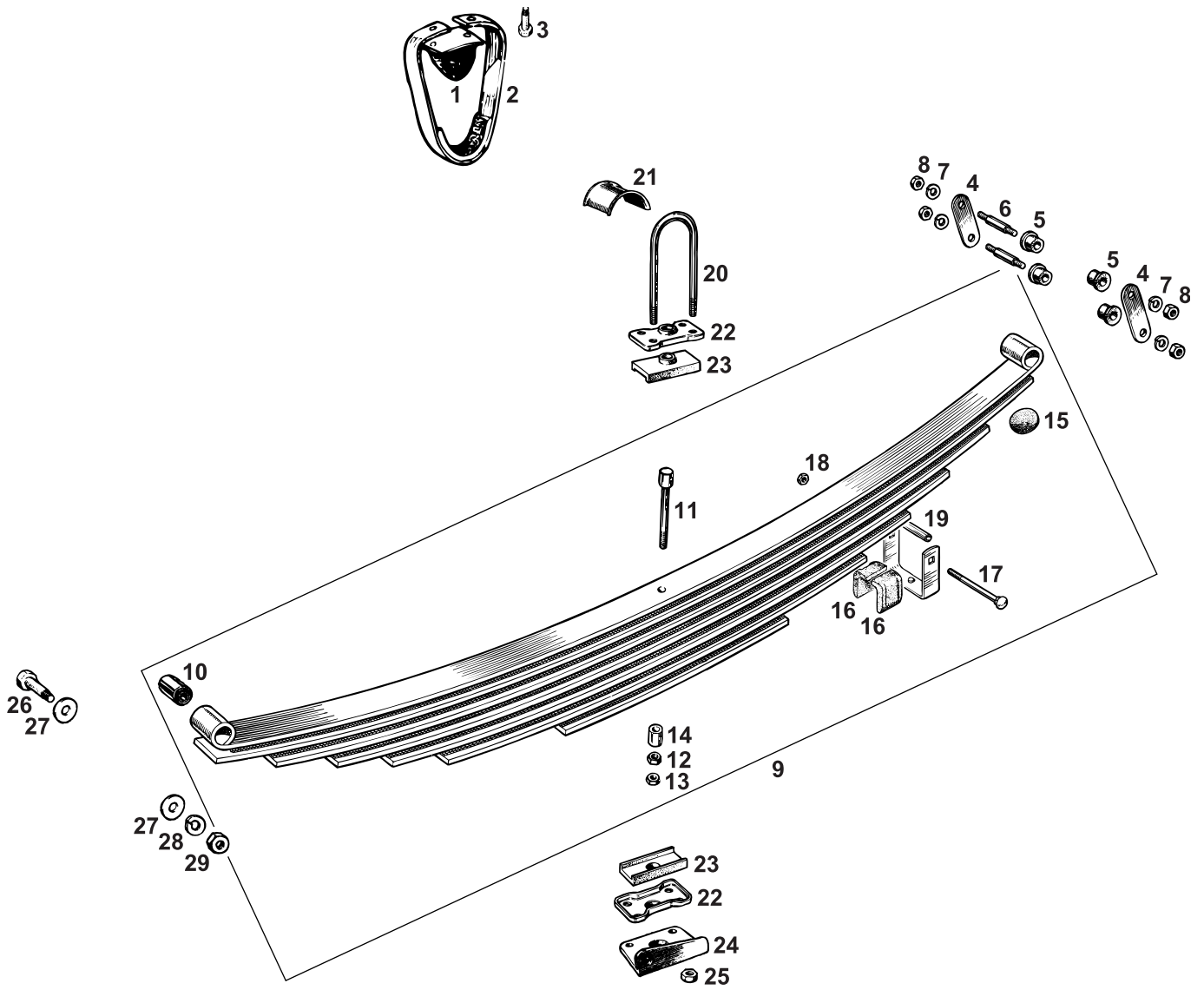


Wire Wheels

1	N136021E	Stub Axle - RH - BSF Thread - Exchange	.1		
1	N136022E	Stub Axle - LH - BSF Thread - Exchange	.1		
1	ATB4206E	Stub Axle - RH - UNF Thread - Exchange	.1		
1	ATB4207E	Stub Axle - LH - UNF Thread - Exchange	.1		
2	ATB4218	Swivel Pin - RH	.1		
2	ATB4219	Swivel Pin - LH	.1		
3	ATB4208	Trunnion - Top - With Bush - RH	.1		
3	ATB4209	Trunnion - Top - With Bush - LH	.1		
4	ATB4212	Trunnion - Bottom - With Bush - RH	.1		
4	ATB4213	Trunnion - Bottom - With Bush - LH	.1		
5	BTB768	Bush - Trunnion	.4		
6	ACA4010	Plug - Trunnion	.4		
7	UHN405	Grease Nipple - Trunnion	.4		
8	ACG4030	Seal - Swivel Pin to Trunnion	.4		
9	ACG4030K	Seal Kit	.1	Includes 8 top and bottom trunnion seals and 4 swivel pin to trunnion seals	
10	AAA2151	Steering Arm - RH - BSF Thread	.1		
10	AAA2152	Steering Arm - LH - BSF Thread	.1		
11	WKN506	Woodruff Key - Steering Arm	.2		
12	GHF304	Washer - Plain	.2		
13	N500109	Nut - Stiff - Steering Arm - BSF Thread	.2		
14	ACF4001	Spacer - Hub	.2		
15	ACF4004	Oil Seal - Hub	.2		
16	GHB177	Bearing - Wheel - Inner	.2		
17	ACF4003	Spacer - Bearing	.2		
18	GHB176	Bearing - Wheel - Outer	.2		
19	N068913	Hub/Brake Drum Ass'y - With BSF Studs	.2	Steel wheels. TD to ch. no. 4250 (2 piece hub/drum accepting felt grease retainer)	
19	N101897	Hub/Brake Drum - With BSF Studs	.2		Steel wheels. TD from ch. no. 4251 to 6034 (single casting accepting felt grease retainer)
19	ATB4129	Hub/Brake Drum - With BSF Studs	.2		Steel wheels. TD from ch. no. 6035 to 12284 (single casting accepting steel grease cap)
19	ACF4007	Hub/Brake Drum - With UNF Studs	.2	Steel wheels. TD from ch. No. 12285, TF (single casting accepting steel grease cap)	
20	ATB4162	Wheel Stud - BSF Thread	.10	Steel wheels. TD to ch. no. 12284	
21	ATB4163	Wheel nut - BSF Thread	.10		
20	ATB4097	Wheel Stud - UNF Thread	.10	Steel wheels. TD from ch. no. 12285, TF	
21	ATB4100	Wheel nut - UNF Thread	.10		
22	N053853	Grease Retainer - Felt	.2	Steel wheels. TD to ch. no. 6034	
23	AAA928	Cap - Felt Grease Retainer	.2		
24	ATB4098	Grease Retainer - Steel Cap	.2	Steel wheels. TD from ch. no. 6035, TF	
25	ATB4180	Front Hub - RH - With Studs	.1		
25	ATB4181	Front Hub - LH - With Studs	.1	Wire wheels	
26	ATB4124	Stud - Drum Retaining	.12		
27	NT606041	Nut - Drum Retaining	.12		
28	ATB4125	Lock Tab - Brake Drum	.6		
29	ATB4126	Brake Drum	.2		
30	ACG5012	Plug - Rubber - Brake Drum	.2		
31	ATB4131	Grease Retainer - Steel	.2		
32	W183R	Spinner - 2 Ear - MG Logo - RH	.1		
32	W183L	Spinner - 2 Ear - MG Logo - LH	.1		
33	W173R	Spinner - Octagonal - MG Logo - RH	.1		
33	W173L	Spinner - Octagonal - MG Logo - LH	.1		
34	N101258	Washer - Hub Retaining - 5/8" Int. Dia.	.2	TD to ch. no. 12284	
35	AJD8410Z	Nut - RH - RH BSF Thread	.1		
35	AJD8310Z	Nut - LH - LH BSF Thread	.1	TD from ch. no. 12285, TF	
34	ATB4069	Washer - Hub Retaining - 3/4" Int. Dia.	.2		
35	NL612041	Nut - RH - RH UNF Thread	.1		
35	FNZ2412	Nut - LH - LH UNF Thread	.1		
36	GHF504	Split Pin	.2		
37	N101892	Bolt - Brake Backplate to Stub Axle	.8		
38	AJD8106Z	Nut	.8		
39	GHF333	Washer - Spring	.8		
40	W???	Wire Wheel Conversion Kit	.1	TD	
40	W???	Wire Wheel Conversion Kit	.1	TF	

The correct solution for converting your TD or TF to wire wheels. Kits include splined hubs, brake drums with fixings, spinners (2 eared type), hammer, spare wheel carrier adaptor and spare wheel spinner.

**Telephone: 01954 230928 Fax: 01954 231923, Email: sales@mgocspares.co.uk
Buy Online at www.mgocspares.co.uk**





**MG TD
&
MG TF**



1	AAA2140	Bump Rubber	2
2	AAA2138	Rebound Strap	2
3	AJD6306Z	Bolt - Bump Rubber and Strap to Chassis	4
4	AAA854	Shackle Plate	4
5	ACA5242	Shackle Bush	8
6	AAA848	Shackle Pin	4
7	GHF334	Washer - Spring	8
8	AJD8107Z	Nut	8
9	AAA2372	Rear Spring - With Silentbloc Bush	2
9	AAA5031	Rear Spring - With Silentbloc Bush	2
10	AAA629	Bush - Silentbloc	2
11	AAA1633	Bolt - Spring Assembly - BSF Thread	2
12	AJD8105Z	Nut - Spring Assembly - BSF Thread	2
13	AJD8205Z	Nut - Locking - Spring Ass'y - BSF Thread	2
11	AHH5042	Bolt - Spring Assembly - UNF Thread	2
12	GHF201	Nut - Spring Assembly - UNF Thread	2
13	NT605041	Nut - Locking - Spring Ass'y - UNF Thread	2
14	ACA5000	Distance Tube - Bolt	2
15	ACG5232	Pad - Synthetic - Spring Interleaf	24
16	AAA1360	Pad - Rubber - Spring Assembly Clip	8
17	AAA1388	Bolt - Spring Assembly Clip	4
18	AJD8104Z	Nut	4
19	AAA1387	Distance Tube - Bolt	4
20	AAA1636	U Bolt	4
21	AHH5082	Buffer Plate	2
22	AAA1637	Spring Plate	4
23	ACA5138	Spring Pad	4
24	N136185	Bracket - Shock Absorber - RH	1
24	N136186	Bracket - Shock Absorber - LH	1
25	AJD8136Z	Nut - Nyloc	8
26	AAA1321	Bolt - Front Spring Mounting	2
27	AAA675	Washer - Fibre	4
28	GHF334	Washer - Spring	2
29	AJD8107Z	Nut	2
30	AAA2163E	Shock Absorber - RH - Girling - Recon	1
30	AAA2164E	Shock Absorber - LH - Girling - Recon	1
31	ACG5095E	Shock Absorber - RH - Armstrong - Recon	1
31	ACG5096E	Shock Absorber - LH - Armstrong - Recon	1
32	AJD6338Z	Bolt - Shock Absorber to Chassis	4
32	AJD6326Z	Bolt - Shock Absorber to Chassis	4
33	GHF302	Washer - Plain	8
34	GHF333	Washer - Spring	4
35	AJD8106Z	Nut	4
36	N300004	Link - Shock Absorber	2
37	AJJ402	Bush - Link	4
38	N300005	Pin - Link	2
39	AJD8108Z	Nut	2
40	AJJ402FK	Tool Set - Girling Link Bush Installation	1
41	AAA4710	Link - Shock Absorber - With Fixings	2
42	GHF203	Nut	2
43	GHF334	Washer - Spring	2
44	GHF204	Nut	2
45	GHF335	Washer - Spring	2

TD
TF

Alternative to UNF thread fixings
Alternative to UNF thread fixings
Alternative to UNF thread fixings
Alternative to BSF thread fixings
Alternative to BSF thread fixings
Alternative to BSF thread fixings

Good modification - resists axle case damage from U bolts (MGA item)

Customer's own unit reconditioned
Customer's own unit reconditioned
Customer's own unit reconditioned
Customer's own unit reconditioned
For Girling shock absorbers
For Armstrong shock absorbers

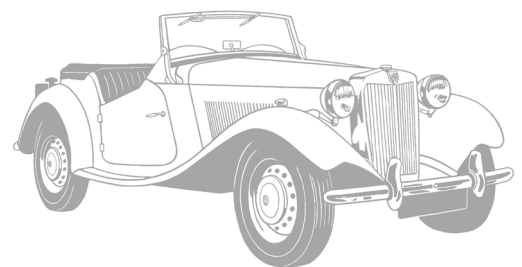
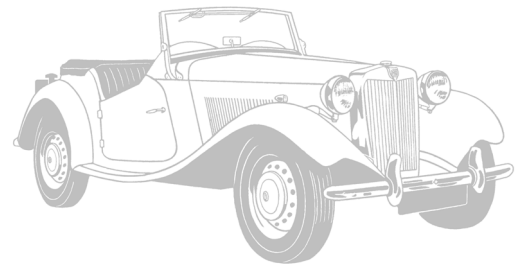
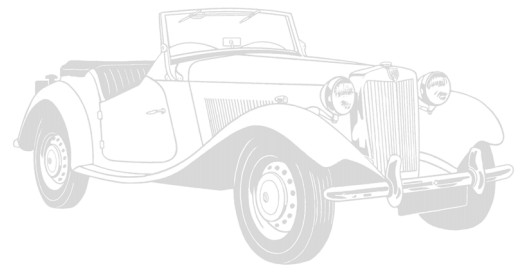
For Girling shock absorbers
For Girling shock absorbers
For Girling shock absorbers
For Girling shock absorbers
For Girling shock absorbers
For Armstrong shock absorbers
For Armstrong shock absorbers
For Armstrong shock absorbers
For Armstrong shock absorbers
For Armstrong shock absorbers

**Telephone: 01954 230928 Fax: 01954 231923, Email: sales@mgocspares.co.uk
Buy Online at www.mgocspares.co.uk**



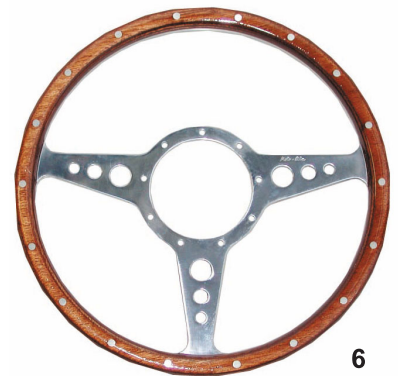
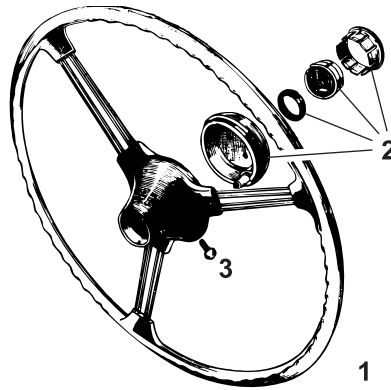
STEERING:

STEERING WHEELS
STEERING COLUMN
STEERING RACK



MGOC Spares & Accessories, Octagon House, Swavesey, Cambridge CB24 4QZ
Tel: 01954 230928 and 01954 231318 Email: sales@mgocspares.co.uk

© 2009 MGOC Spares Ltd





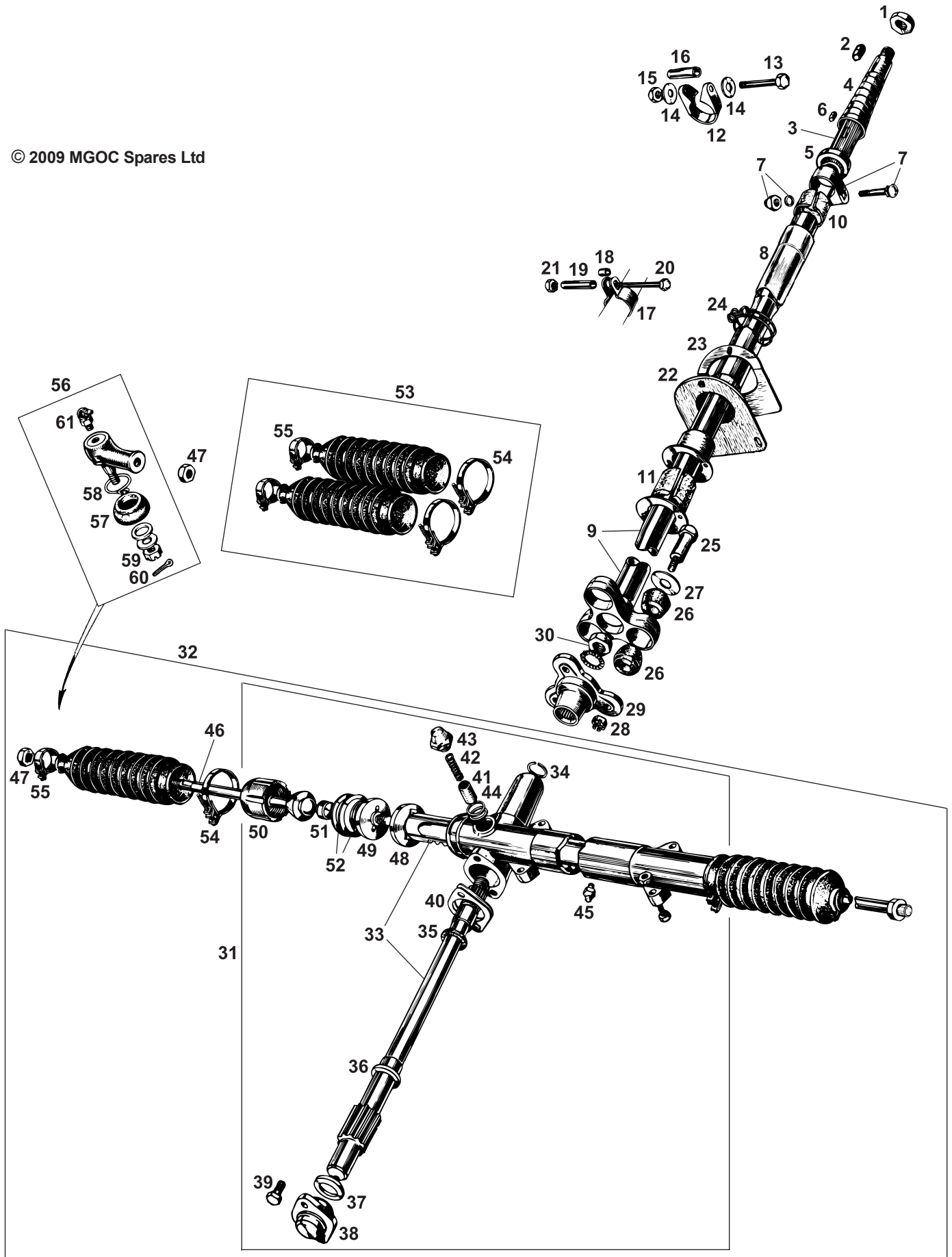
**MG TD
&
MG TF**



1	AAA1499	Steering Wheel	1	}	Original style
2	AAA2242	Centrepiece Assembly	1		
3	AJD2246	Screw - Centrepiece to Steering Wheel	1	}	Original factory optional MGA accessory. With boss Reproduction of the 1960s competition wheel. Machine turned spokes
4	S180	Steering Wheel - Wood - 16 1/2"	1		
5	S131	Steering Wheel - Wood	1		
6	S100	Steering Wheel - Moto Lita - 13" - Wood	1		
6	S101	Steering Wheel - Moto Lita - 14" - Wood	1		
6	S102	Steering Wheel - Moto Lita - 14" - Wood	1		
6	S103	Steering Wheel - Moto Lita - 15" - Wood	1		
6	S104	Steering Wheel - Moto Lita - 15" - Wood	1		
7	S110	Steering Wheel - Moto Lita - Walnut Rim	1		
8	S120	Steering Wheel - Moto Lita - 13" - Leather	1		
8	S121	Steering Wheel - Moto Lita - 14" - Leather	1		
8	S122	Steering Wheel - Moto Lita - 14" - Leather	1		
8	S123	Steering Wheel - Moto Lita - 15" - Leather	1		
9	S169	Boss Kit - Moto Lita - Without Screws	1	}	Flat spokes Dished spokes Flat spokes Dished spokes Flat spokes Moto Lita wheels include screws Leaves wheel screws exposed. Without horn push Leaves wheel screws exposed. Horn push inoperative on TD and TF Covers wheel screws. Horn push inoperative on TD and TF As fitted to early MGB/MGC; fits Moto Lita wheels. Horn push inoperative on TD and TF
10	S153	Wheel Centre - Aluminium	1		
11	S151	Wheel Centre - Aluminium	1		
12	S150	Wheel Centre - Aluminium	1		
13	S145	Wheel Centre - Classic 'MG' Style	1		

**Telephone: 01954 230928 Fax: 01954 231923, Email: sales@mgocspares.co.uk
Buy Online at www.mgocspares.co.uk**

© 2009 MGOC Spares Ltd





**MG TD
&
MG TF**



1	AAA1647	Nut - Steering Wheel	1	
2	AAA45	Key - Steering Wheel Locating	1	
3	AAA190	Shaft - Steering Adjustment	1	
4	AAA1651	Spring Cover - Shaft - Chrome	1	
5	AAA1650	Cap - Spring Cover - Chrome	1	
6	AAA193	Key - Steering Adjustment Shaft to Column	1	
7	AAA192	Clamp - Chrome	1	With Nut, Bolt and Washer
8	AAA4639	Steering Column - Outer	1	
9	AAA4638	Steering Column - Inner	1	
10	AAA189	Felt Bush - Upper	1	
11	27H6148	Felt Bush - Lower	1	
12	AHH6005	Clamp - Column to Bracket on Body	1	
13	AJD6220Z	Bolt - Clamp	1	
14	GHF301	Washer - Plain	2	
15	AJD8105Z	Nut	1	
16	AHH6106	Distance Tube - Clamp	1	
17	N139940	Clamp - Lower	1	
18	N139942	Distance Tube - Clamp - Short	1	} TD
19	N139941	Distance Tube - Clamp - Long	1	
20	AJD6222Z	Bolt - Clamp	1	
21	AJD8105Z	Nut	1	
22	AAA2213	Fume Excluder - Column - Leather	1	
23	N136676	Plate - Fume Excluder	1	
24	HCS913	Clip - Supergrip - Fume Excluder	1	
25	AAA1358	Bolt - Column to Pinion Flange	3	
26	AAA1512	Rubber Bush - Column to Pinion Flange	6	
27	AAA1359	Washer - Bush Support	3	
28	AJD8305Z	Nut - Slotted	3	
29	AAA1355	Flange - Pinion	1	
30	AJD8209Z	Nut - Flange to Pinion	1	
31	AAA4975X	Steering Rack Ass'y - New	1	RHD. Without Tie Rods
32	AAA4975E	Steering Rack Ass'y - Reconditioned	1	RHD. With Tie Rods
33	AAA4971K	Rack and Pinion	1	RHD
31	AAA6375X	Steering Rack Ass'y - New	1	LHD. Without Tie Rods
32	AAA6375E	Steering Rack Ass'y - Reconditioned	1	LHD. With Tie Rods
33	AAA4973K	Rack and Pinion	1	LHD
34	N129825	Circlip - Pinion	1	
35	AAA1335	Seal - Pinion	1	
36	AAA1332	Thrust Washer - Pinion - Upper	1	
37	AAA1336	Thrust Washer - Pinion - Lower	1	
38	N139731	Tail Bearing - Pinion	1	
39	AJD6256Z	Bolt - Tail Bearing to Housing	2	
40	AAA1333	Shim - Tail Bearing - 0.005"	A/R	
40	AAA1334	Shim - Tail Bearing - 0.007"	A/R	
41	ACA5244	Pad - Damper - Rack	1	
42	ACA5248	Spring - Damper Pad	1	
43	ACA5245	Cap - Damper Pad	1	
44	ACA5249	Shim - Damper Pad - 0.003"	A/R	
44	N132481	Shim - Damper Pad - 0.010"	A/R	
45	LN10051	Grease Nipple	1	
46	AAA1337	Tie Rod	2	
47	ACA5250	Lock nut - Tie Rod	2	
48	ACA5247	Lock Washer - Inner Ball Housing	2	
49	ACA6031	Ball Housing - Male	2	
50	ACA5304	Ball Housing - Female	2	
51	ACA5246	Ball Seat	2	
52	ACA5301	Shim - Ball Seat - 0.003"	A/R	
52	ACA5302	Shim - Ball Seat - 0.005"	A/R	
52	ACA5303	Shim - Ball Seat - 0.010"	A/R	
53	GSV1155	Rack Gaiter Kit	1	Includes 2 gaiters plus clips
54	ADG1682	Clip - Rack Gaiter - Large	2	
55	3H2963	Clip - Rack Gaiter - Small	2	
56	7H3682	Track Rod End Assembly	2	
57	7H3762	Gaiter - Track Rod End	2	
58	7H3565	Clip - Gaiter	2	
59	NL607041	Nut - Slotted	2	
60	GHF504	Split Pin	2	
61	UHN405	Grease Nipple	2	

**Telephone: 01954 230928 Fax: 01954 231923, Email: sales@mgocspares.co.uk
Buy Online at www.mgocspares.co.uk**



BRAKES:

FRONT DRUMS & SHOES

REAR DRUMS & SHOES

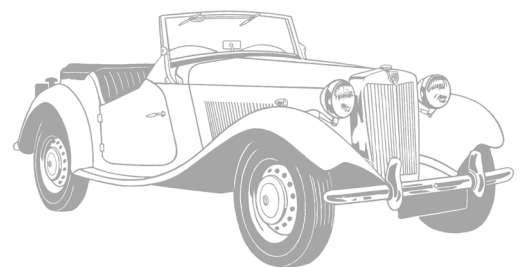
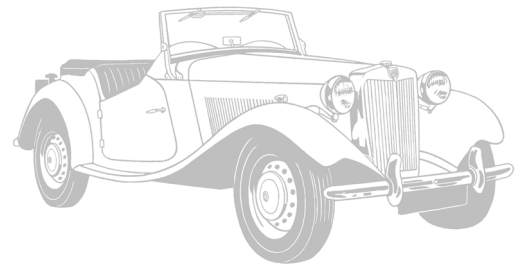
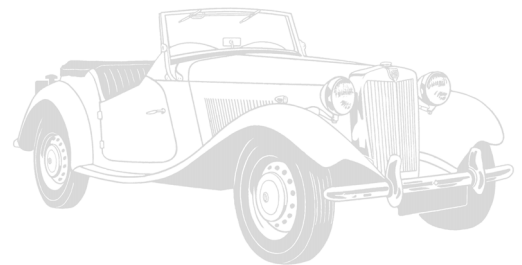
BRAKE TOOLS

HANDBRAKE

BRAKE PEDAL

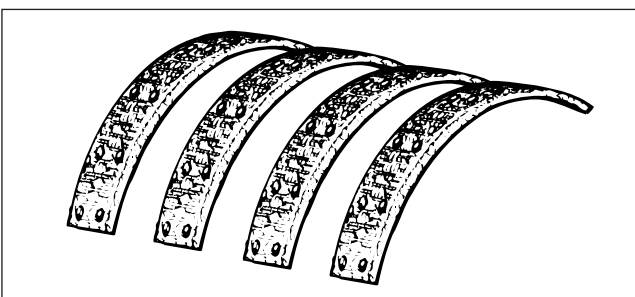
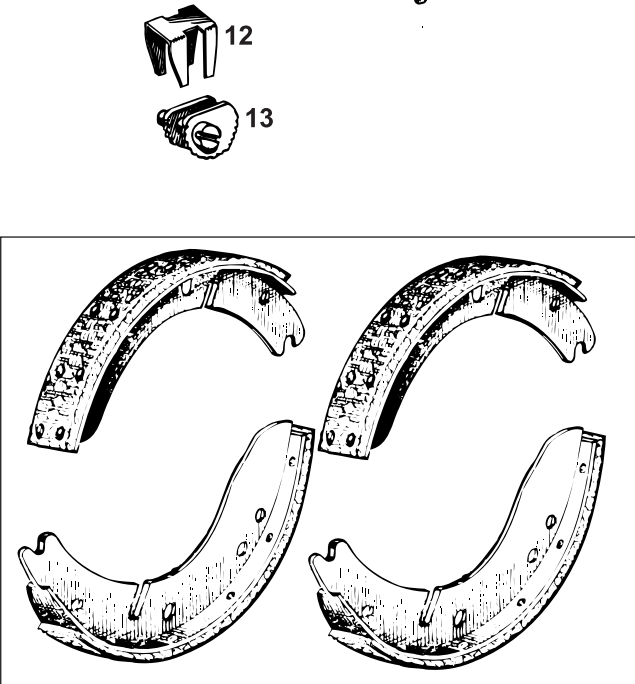
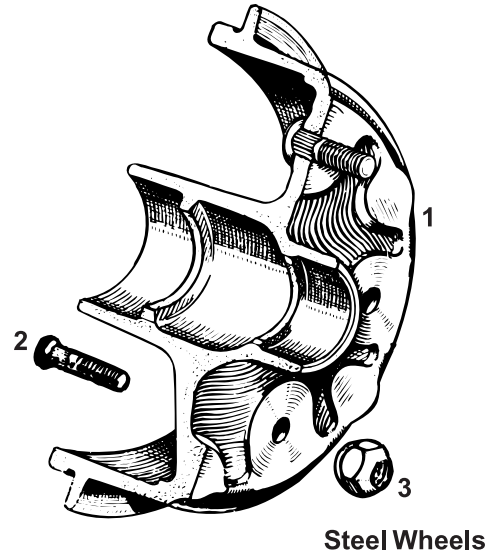
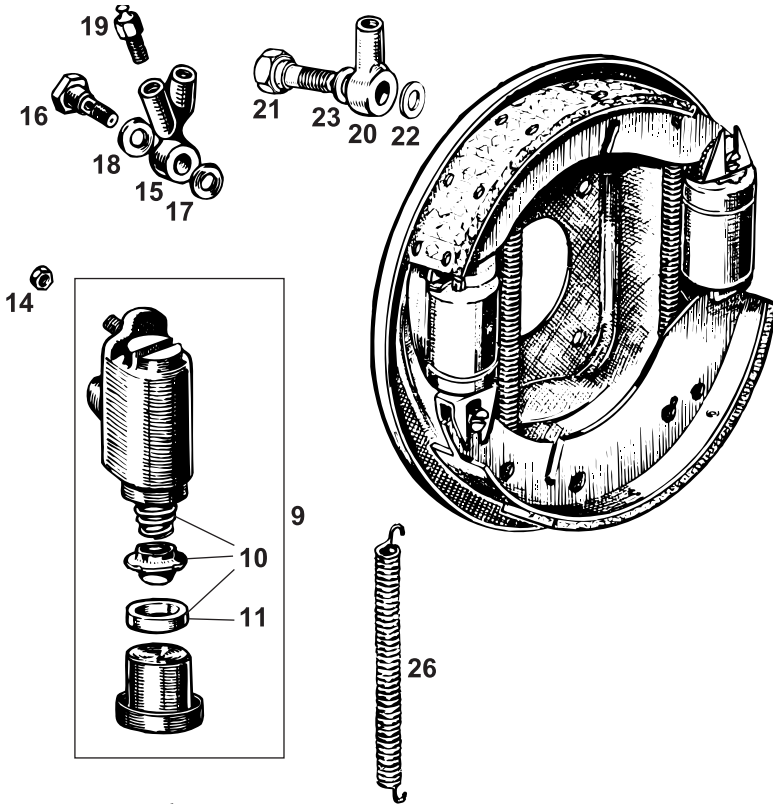
MASTER CYLINDER

BRAKE PIPES & HOSES



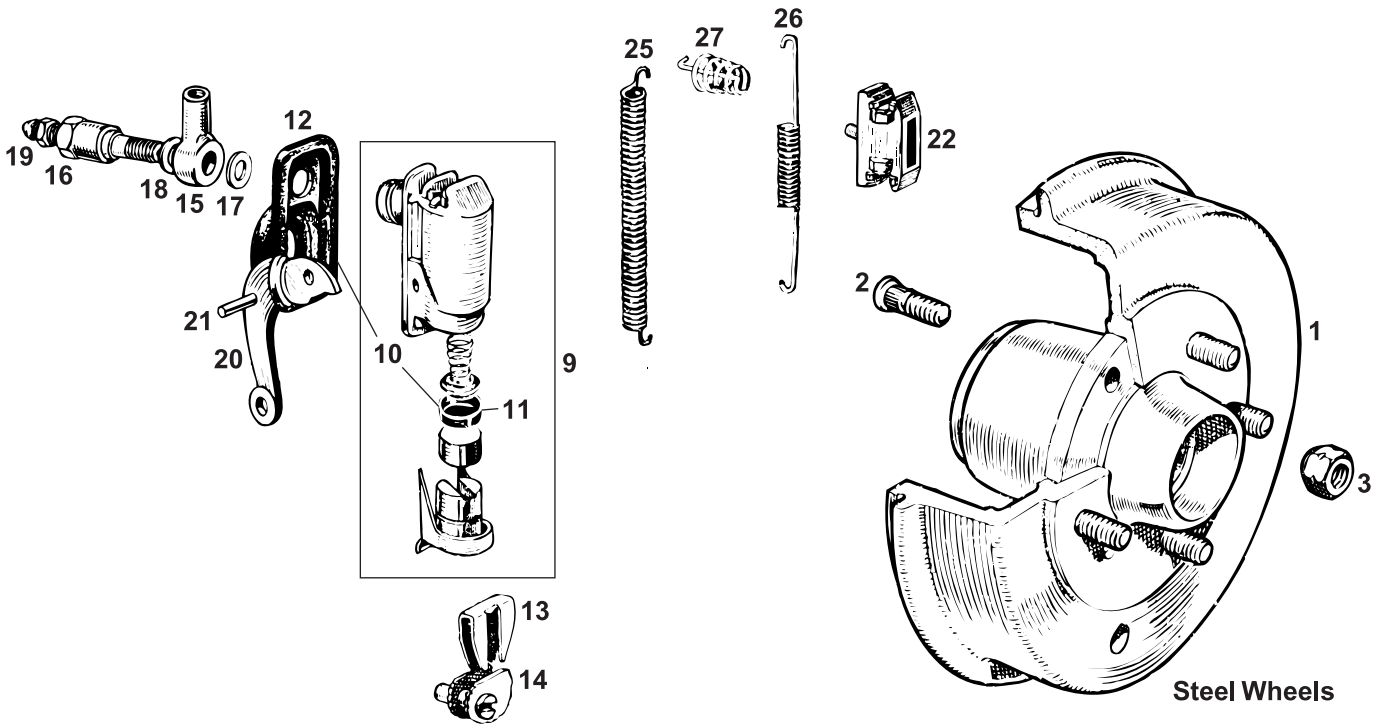
MGOC Spares & Accessories, Octagon House, Swavesey, Cambridge CB24 4QZ
Tel: 01954 230928 and 01954 231318 Email: sales@mgocspares.co.uk

© 2009 MGOC Spares Ltd

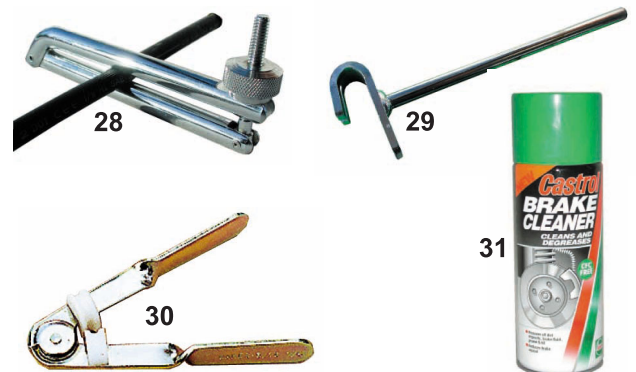
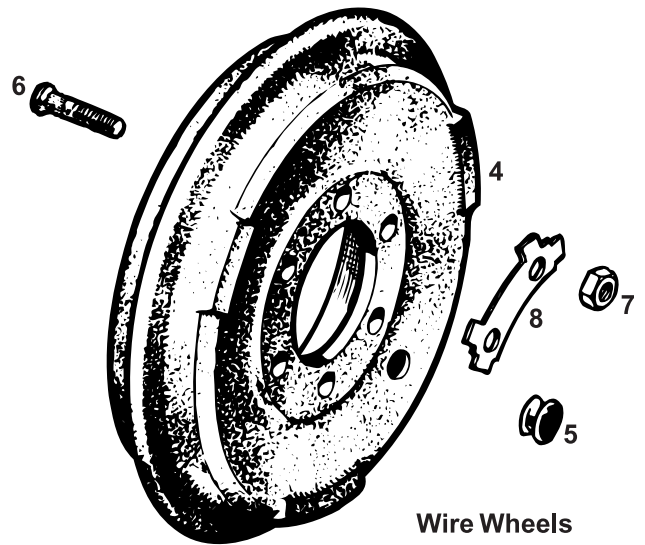
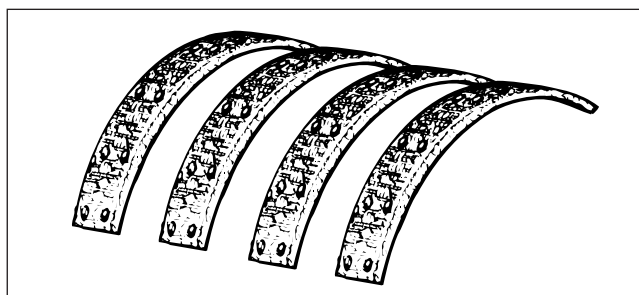
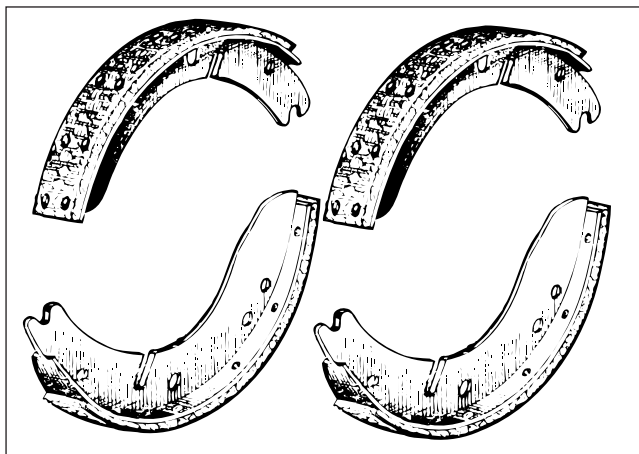


1	N068913	Hub/Brake Drum Ass'y - With BSF Studs	.2	}	Steel wheels. TD to ch. no. 4250 (2 piece hub/drum accepting felt grease retainer)
1	N101897	Hub/Brake Drum - With BSF Studs	.2		Steel wheels. TD from ch. no. 4251 to 6034 (single casting accepting felt grease retainer)
1	ATB4129	Hub/Brake Drum - With BSF Studs	.2	}	Steel wheels. TD from ch. no. 6035 to 12284 (single casting accepting steel grease cap)
1	ACF4007	Hub/Brake Drum - With UNF Studs	.2		Steel wheels. TD from ch. No. 12285, TF (single casting accepting steel grease cap)
2	ATB4162	Wheel Stud - BSF Thread	.10	}	Steel wheels. TD to ch. no. 12284
3	ATB4163	Wheel nut - BSF Thread	.10		}
2	ATB4097	Wheel Stud - UNF Thread	.10	}	
3	ATB4100	Wheel nut - UNF Thread	.10		
4	ATB4126	Brake Drum	.2	}	Includes spring, expander and cup for four cylinders Included in repair kit
5	ACG5012	Plug - Rubber - Brake Drum	.2		
6	ATB4124	Stud - Drum Retaining	.12	}	Wire wheels
7	NT606041	Nut - Drum Retaining	.12		
8	ATB4125	Lock Tab - Brake Drum	.6	}	Includes spring, expander and cup for four cylinders Included in repair kit
9	27H7356	Wheel Cylinder - Front	.4		
10	27H7356RK	Repair Kit - Wheel Cylinder - Axle Set	.1	}	Includes spring, expander and cup for four cylinders Included in repair kit
11	7H7923	Rubber Cup - Wheel Cylinder	.4		
12	7H7930	Mask - Adjuster	.4	}	Wire wheels
13	7H7931	Adjuster - Brake Shoe	.4		
14	AJD8105Z	Nut - Cylinder to Backplate	.8	}	Includes spring, expander and cup for four cylinders Included in repair kit
15	AAA405	Banjo - Double - Front Cylinder - RH	.1		
15	AAA404	Banjo - Double - Front Cylinder - LH	.1	}	Includes spring, expander and cup for four cylinders Included in repair kit
16	7H7847	Banjo Bolt - Front Cylinder	.2		
17	233220A	Copper Washer - Small - Banjo to Cylinder	.2	}	Includes spring, expander and cup for four cylinders Included in repair kit
18	3H550	Copper Washer - Large - Bolt to Banjo	.2		
19	27H7166	Bleed Nipple	.2	}	Includes spring, expander and cup for four cylinders Included in repair kit
20	27H7189	Banjo - Single - Rear Cylinder	.2		
21	BCA4455	Banjo Bolt - Rear Cylinder - Rear	.2	}	Includes spring, expander and cup for four cylinders Included in repair kit
22	233220A	Copper Washer - Small - Banjo to Cylinder	.2		
23	3H550	Copper Washer - Large - Bolt to Banjo	.2	}	Includes spring, expander and cup for four cylinders Included in repair kit
24	AJH5193	Brake Shoe Set - Asbestos Free - Axle Set	.1		
25	AJG5027	Brake Lining Set - Asbestos Free - Axle Set	.1	}	Includes spring, expander and cup for four cylinders Included in repair kit
26	27H7159	Spring - Shoe Pull Off	.4		
27	F199	Brake Hose Clamp	.1	}	Includes spring, expander and cup for four cylinders Included in repair kit
28	T4	Girling Shoe Horn	.1		
29	F197	Pipe Bending Tool - Small	.1	}	Includes spring, expander and cup for four cylinders Included in repair kit
29	F198	Pipe Bending Tool - Large	.1		
30	G649	Castrol Brake Cleaner - 400ml Aerosol	A/R		Brake shoe lever tool makes easy work of brake shoe replacement

**Telephone: 01954 230928 Fax: 01954 231923, Email: sales@mgocspares.co.uk
Buy Online at www.mgocspares.co.uk**



© 2009 MGOC Spares Ltd



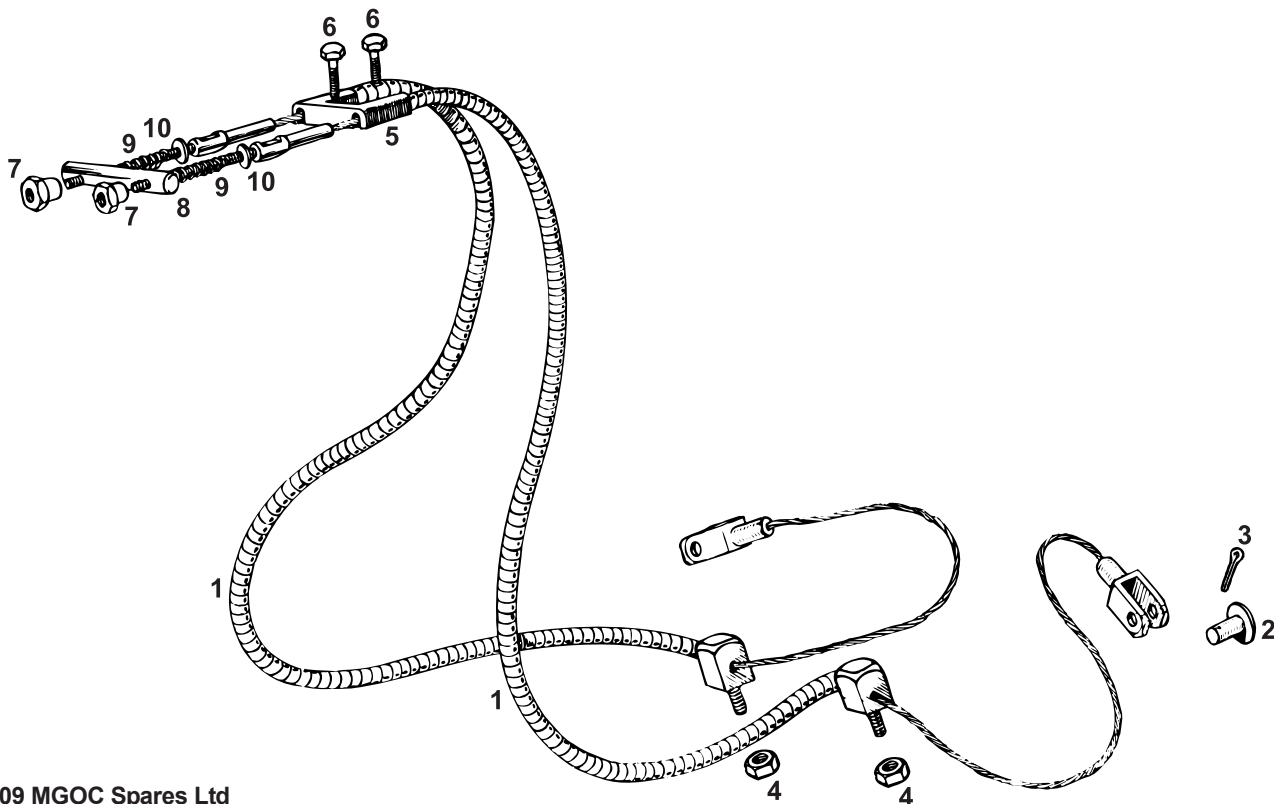
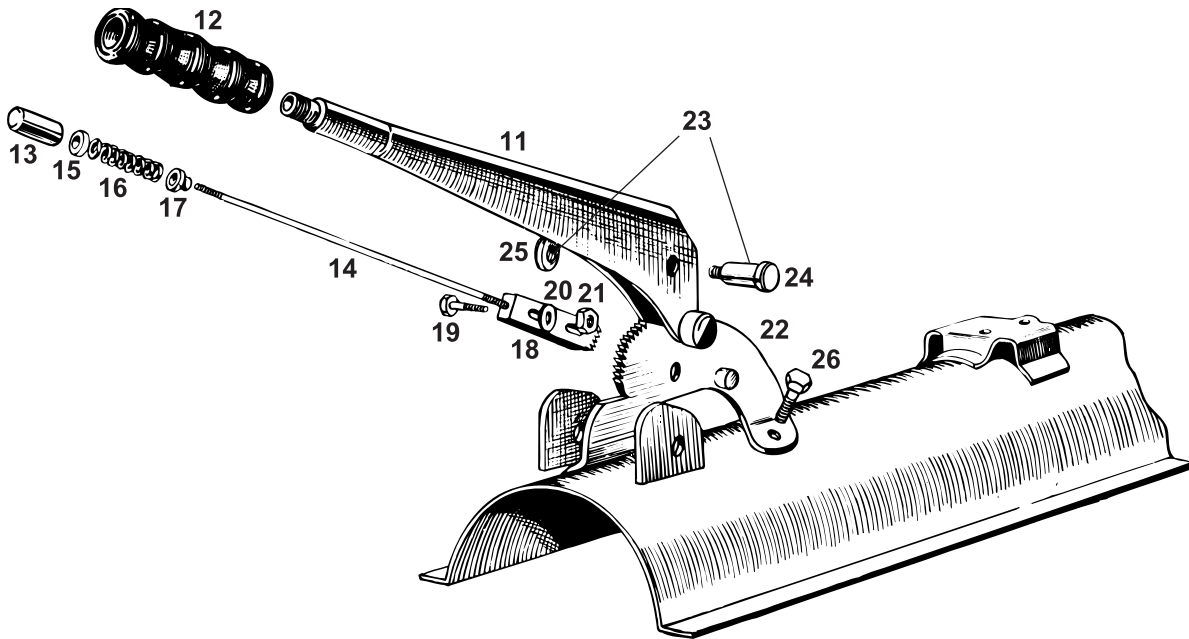


**MG TD
&
MG TF**



1	AAA455	Brake Drum and Hub - With BSF Studs . . .2	}	Steel wheels. TD to ch. no. 12284
2	ATB4162	Stud - Wheel - BSF Thread10		
3	ATB4163	Nut - Wheel - BSF Thread10	}	Steel wheels. TD from ch. no. 12285, TF
1	AAA1089	Brake Drum and Hub - With UNF Studs . . .2		
2	ATB4097	Stud - Wheel - UNF Thread10	}	Wire wheels
3	ATB4100	Nut - Wheel - UNF Thread10		
4	ATB4126	Brake Drum2	}	Wire wheels
5	ACG5012	Plug - Rubber - Brake Drum2		
6	ATB4124	Stud - Drum Retaining12	}	Wire wheels
7	NT606041	Nut - Drum Retaining12		
8	ATB4125	Lock Tab - Brake Drum6	}	Include handbrake lever but not boot Includes seal and handbrake lever boot
9	GWC1111	Wheel Cylinder - Rear2		
10	8G8243	Repair Kit - Rear Wheel Cylinder2	}	Included in repair kit
11	7H7923	Rubber Cup - Wheel Cylinder2		
12	7H7943	Boot - Rubber - Handbrake Lever2	}	Included in rear wheel cylinder
13	7H7930	Mask - Adjuster2		
14	7H7931	Adjuster - Brake Shoe2	}	Included in rear wheel cylinder
15	27H7189	Banjo - Single - Rear Wheel Cylinder2		
16	BCA4455	Banjo Bolt - Rear Wheel Cylinder2	}	Included in rear wheel cylinder
17	233220A	Copper Washer - Small - Banjo to Cylinder2		
18	3H550	Copper Washer - Large - Bolt to Banjo2	}	Included in rear wheel cylinder
19	27H7166	Bleed Nipple2		
20	27H7395	Lever - Handbrake2	}	Included in rear wheel cylinder
21	7H7929	Pivot Pin - Handbrake Lever2		
22	7H7932	Abutment - Rear Brake Shoe2	}	Not fitted on very early TD
23	AJH5193	Brake Shoe Set - Asbestos Free - Axle Set 1		
24	AJG5027	Brake Lining Set - Asbestos Free - Axle Set 1	}	Not fitted on very early TD
25	27H7159	Spring - Shoe Pull Off - Cylinder End2		
26	27H7278	Spring - Shoe Tension - Abutment End2	}	Not fitted on very early TD
27	AAA4714	Spring - Brake Shoe Steady4		
28	F199	Brake Hose Clamp1	}	Brake shoe lever tool makes easy work of brake shoe replacement
29	T4	Girling Shoe Horn1		
30	F197	Pipe Bending Tool - Small1	}	Brake shoe lever tool makes easy work of brake shoe replacement
30	F198	Pipe Bending Tool - Large1		
31	G649	Castrol Brake Cleaner - 400ml Aerosol A/R		

**Telephone: 01954 230928 Fax: 01954 231923, Email: sales@mgocspares.co.uk
Buy Online at www.mgocspares.co.uk**



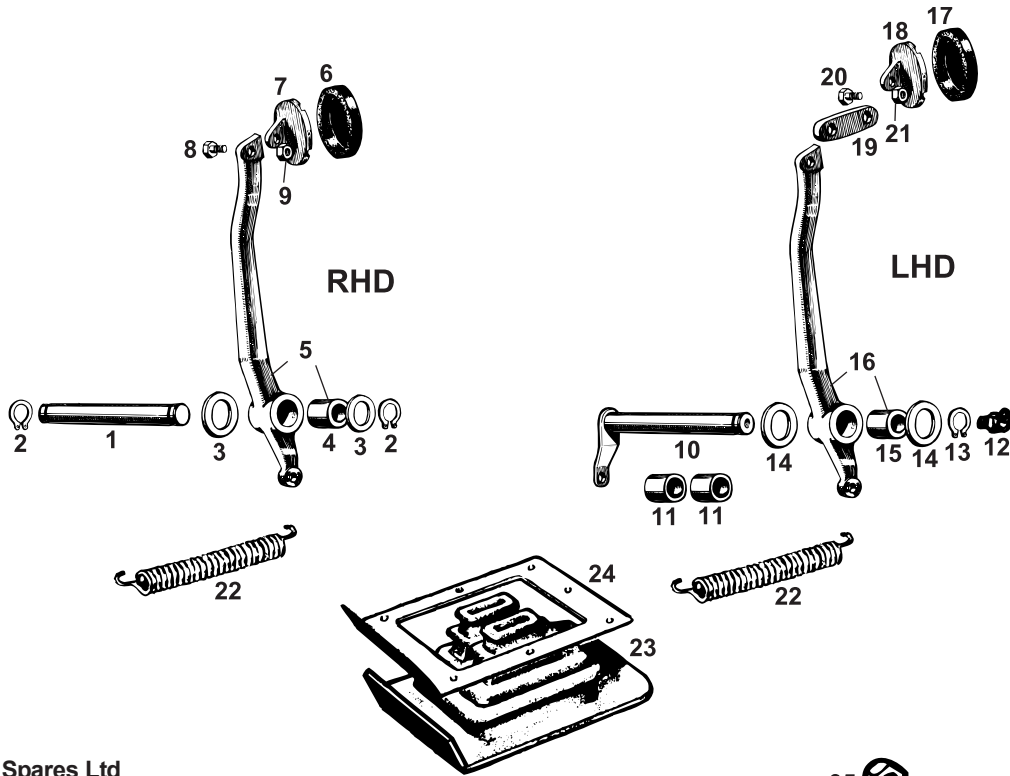


**MG TD
&
MG TF**

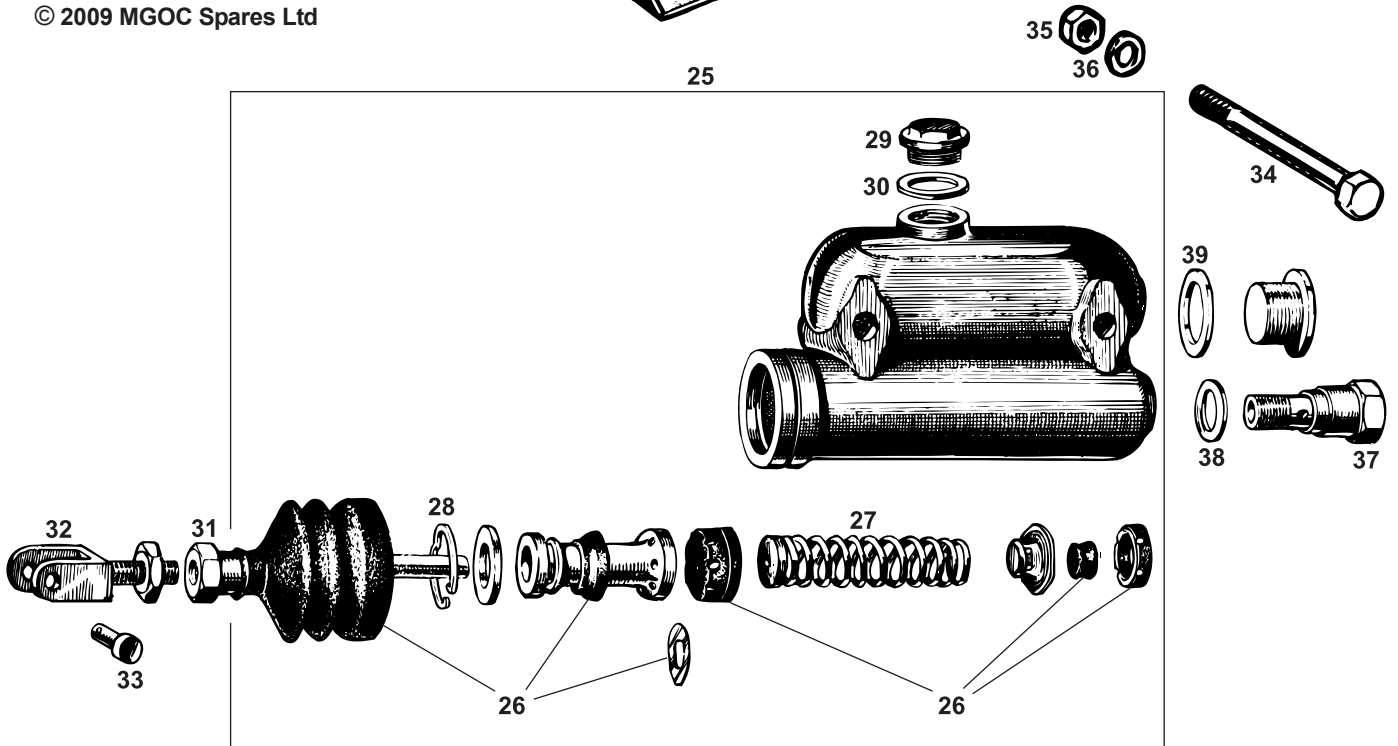


1	AAA2162	Handbrake Cable Assembly2
2	ACB8715	Clevis Pin - Cable to Rear Brake Lever	...2
3	GHF503	Split Pin2
4	GHF201	Nut - Abutment - Outer Cable - Rear2
5	N084452	Abutment - Outer Cable - Front - Twin	...1
6	AJD6106Z	Bolt - Abutment to Tunnel2
7	AAA25	Nut - Cable Adjusting2
8	AAA662	Bar - Cable Equalising1
9	ACH8508	Spring - Cable Adjustment Nut2
10	GHF300	Washer - Plain2
11	AAA2177	Lever - Handbrake1
12	ACC8958	Grip - Handbrake Lever1
13	ACC8956	Button - Handbrake Lever1
14	N136260	Rod - Handbrake Pawl1
15	ACC8959	Washer - Handbrake Lever Spring1
16	ACA5255	Spring - Handbrake Lever1
17	ACC8960	Bush - Handbrake Pawl Rod1
18	AAA2178	Pawl - Handbrake Locking1
19	N136262	Bolt - Pawl2
20	PWZ203	Washer - Plain2
21	AJD8012Z	Nut2
22	AAA4637	Ratchet - Handbrake Locking1
23	AAA1356K	Pin and Washer - Fulcrum1
24	AAA1356	Pin - Fulcrum1
25	ACA5240	Washer - Fulcrum Pin1
26	AJD6208Z	Bolt - Handbrake to Tunnel2

**Telephone: 01954 230928 Fax: 01954 231923, Email: sales@mgocspares.co.uk
Buy Online at www.mgocspares.co.uk**



© 2009 MGOC Spares Ltd



40



41



42



44

43



45

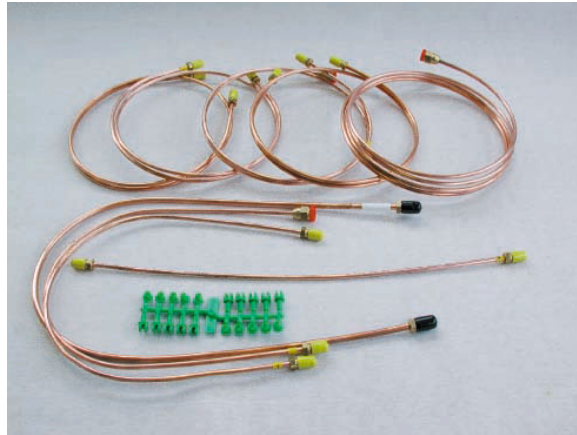


**MG TD
&
MG TF**

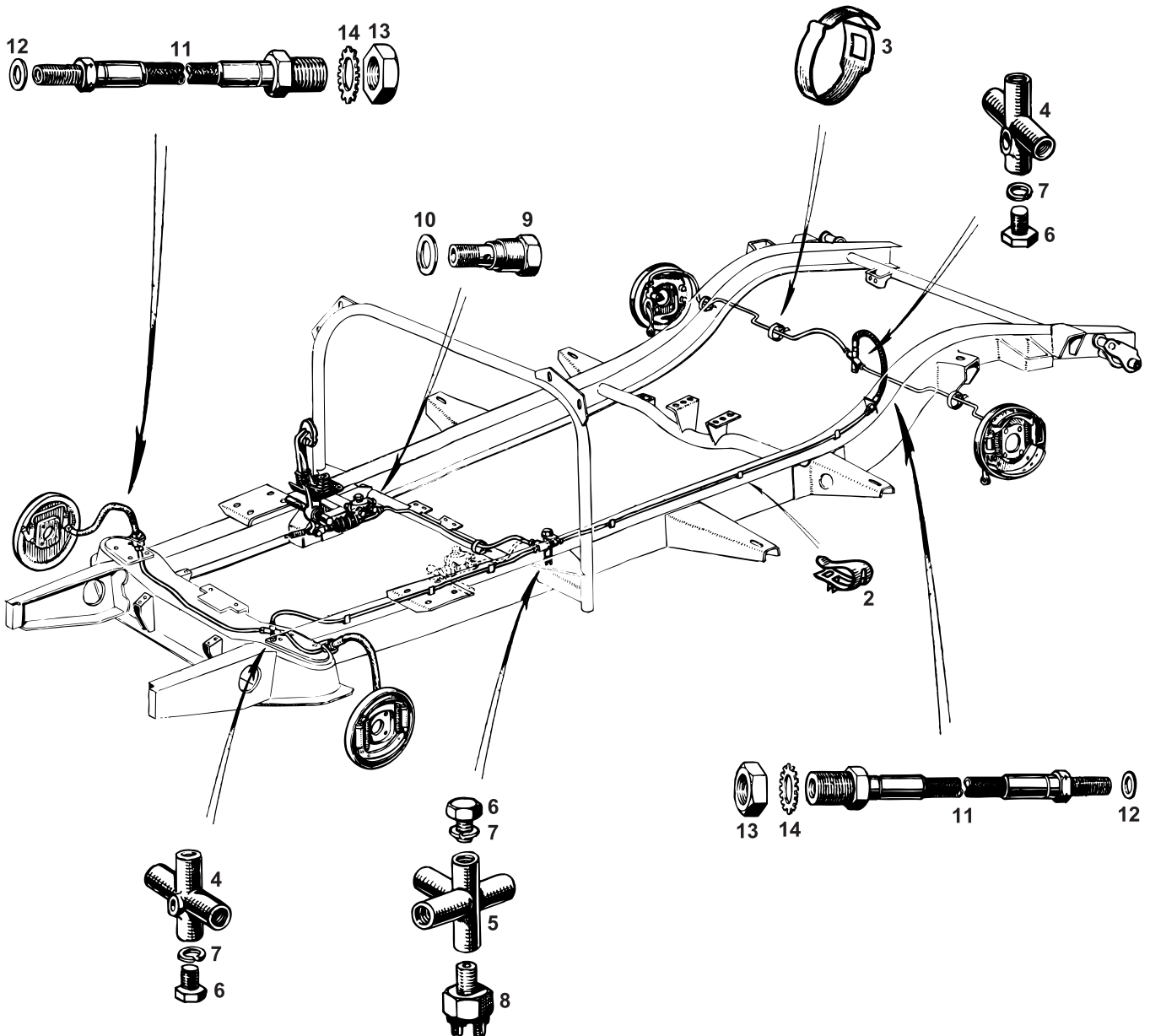


1	AAA2204	Pedal Shaft	1	RHD	
2	CCN112	Circlip - Shaft	2		
3	N136478	Washer - Pedal Spacing	2		
4	AAA5828	Bush - Brake Pedal	1		
5	N136466	Brake Pedal - With Bush	1		
6	ACA5359	Rubber Pad - Brake Pedal	1		
7	AAA5403	Alloy Pad - Brake Pedal	1		
8	JA5052	Bolt - Alloy Pad to Pedal	1		
9	CA1126	Nut	1		
10	AAA2241	Pedal Shaft - With Lever	1		LHD
11	AAA5531	Bush - Pedal Shaft - In Chassis	2		
12	UHN445	Grease Nipple	1		
13	CCN112	Circlip - Shaft	1		
14	N136478	Washer - Pedal Spacing	2		
15	AAA5828	Bush - Brake Pedal	1		
16	N136469	Brake Pedal	1		
17	ACA5359	Rubber Pad - Brake Pedal	1		
18	AAA5403	Alloy Pad - Brake Pedal	1		
19	AAA4935	Extension - Brake Pedal	1		
20	JA5052	Bolt - Alloy Pad and Extension to Pedal	2		
21	CA1126	Nut	2		
22	AAA1369	Spring - Brake Pedal Return	1		
23	AAA588	Fume Excluder - Pedals - Rubber	1		
24	AAA589	Retainer - Fume Excluder	1		
25	GMC117	Master Cylinder - Brake	1		
26	8G7103	Repair Kit - Brake Master Cylinder	1		
27	7H7926	Spring - Brake Master Cylinder	1		
28	7H7342	Circlip	1		
29	17H7458	Cap - Filler	1		
30	7H7091	Seal - Filler Cap	1		
31	27H7143	Push Rod - Master Cylinder	1		
32	N139779	Fork End - Push Rod	1	Includes lock nut (LH threaded)	
33	N126979	Clevis Pin - Fork End	1		
34	AJD6324Z	Bolt - Master Cylinder to Chassis	2		
35	AJD8106Z	Nut	2		
36	GHF333	Washer - Spring	2		
37	AAA427	Adaptor - Master Cylinder	1		
38	233220A	Washer - Sealing - Adaptor	1		
39	7H7436	Washer - Sealing - Plug	1		
40	1774	Castrol - Response - Dot 4 - 1 Litre	A/R	Excellent anti-corrosion and anti-vapour lock characteristics Covers Dot 4 and Dot 5.1 specifications. For high performance vehicles. For competition use and where extreme braking conditions	
40	1774/6610	Castrol - Response - Dot 4 - 500ml	A/R		
41	1775	Castrol - Response - Super Dot 4 - 1 Litre	A/R		
42	1767	Castrol - SRF - 1 Litre	A/R	Non-hygroscopic and non-paint stripping alternative to normal brake fluid Automatic hydraulic brake and clutch bleeding kit	
43	F195	Silicone Brake Fluid - 1 Litre	A/R		
44	F196	Silicone Brake Fluid - 500ml	A/R		
45	Z012	Eezibleed - Gunsons	1		

**Telephone: 01954 230928 Fax: 01954 231923, Email: sales@mgocspares.co.uk
Buy Online at www.mgocspares.co.uk**



1





**MG TD
&
MG TF**



1	F180	Brake Pipe Kit - Copper	1	RHD
1	F180L	Brake Pipe Kit - Copper	1	LHD
2	N095100	Clip - Fuel/Brake Pipes to Chassis	6/7/11	Qty. 6 for TD, TF; qty.7 for TF LHD; qty. 11 for TD MkII
3	ACH8650	Strap - Fuel and Brake Pipes	A/R	
4	27H7165	Adaptor - 3 Way	2	
5	AAA424	Adaptor - 4 Way	1	
6	AJD6206Z	Bolt - Adaptor to Chassis	3	
7	GHF332	Washer - Spring	3	
8	13H2303	Switch - Brake Light - Screw Terminals	1	
8	C16062	Switch - Brake Light - Spade Terminals	1	Alternative
9	AAA427	Adaptor - Master Cylinder	1	
10	233220A	Washer - Sealing - Adaptor	1	
11	BCA4168	Brake Hose - Rubber - Front and Rear	3	
12	233220A	Washer - Sealing - Brake Hose	3	
13	2K8686	Nut - Locking Brake Hose	3	
14	WE600101	Washer - Shakeproof	3	

**Telephone: 01954 230928 Fax: 01954 231923, Email: sales@mgocspares.co.uk
Buy Online at www.mgocspares.co.uk**

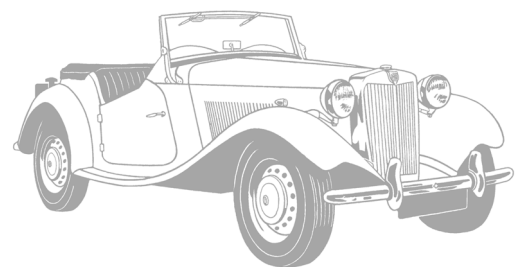
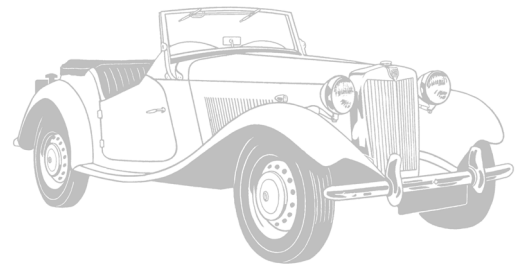
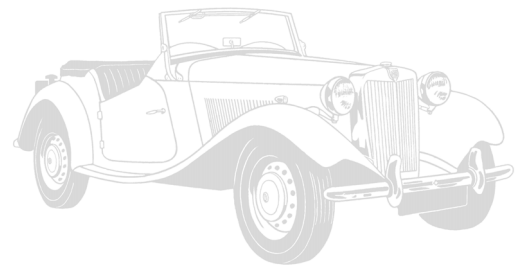
WHEELS:

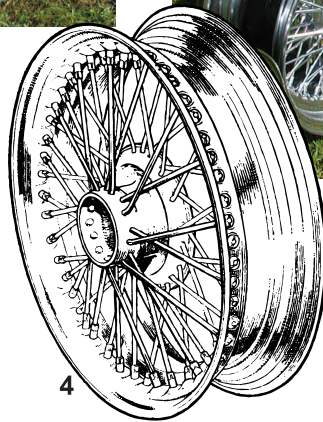
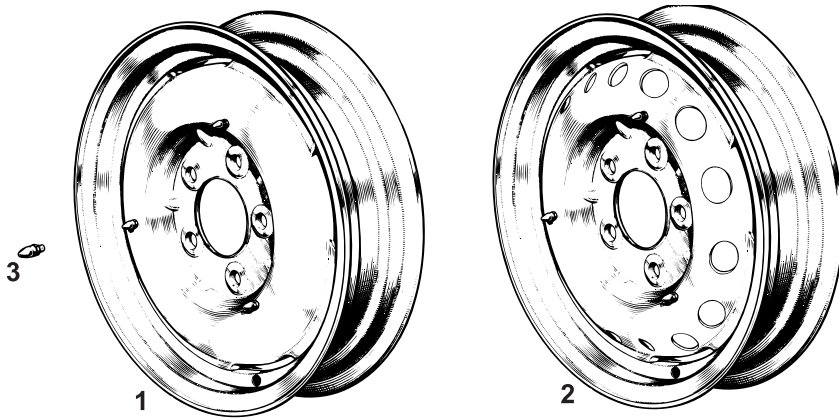
WHEELS & TYRES

WHEEL NUTS

SPINNERS

JACK & TOOL KIT





© 2009 MGOC Spares Ltd



1	ACF8000E	Steel Wheel - 4" - Plain - Recon 5		TD to ch. no. 500. Customer's own unit reconditioned
2	AAA4928E	Steel Wheel - 4" - Perforated - Recon 5		TD from ch. no. 501, TF. Customer's own unit reconditioned
2	ACF8001E	Steel Wheel - 4.5" - Competition - Recon . . 5		Optional. Customer's own unit reconditioned
3	97H2144	Pin - Hub Cap Retaining - Steel Wheel . . 15		
4	W110	Wire Wheel - 4 x 15" - Painted A/R	}	48 spoke design. Standard factory size
4	W115	Wire Wheel - 4 x 15" - Chrome A/R		
5	W120	Wire Wheel - 4.5 x 15" - Painted A/R	}	60 spoke design. Optional size
5	W125	Wire Wheel - 4.5 x 15" - Chrome A/R		
6	W135	Wire Wheel - 5.5 x 15" - Chrome A/R		72 spoke tubeless design. Optional size
7	7H1805	Spoke - Painted - Long 80	}	48 spoke wheels
8	7H1806	Spoke - Painted - Short 160		
7	17H8619	Spoke - Painted - Long 100	}	60 spoke wheels
8	17H8620	Spoke - Painted - Short 200		
9	7H1709	Nipple - Spoke A/R		
10	W700 on	Tyre - Yokohama A/R		
High performance, high value tyres. Various types available - please enquire				
11	W530	Tyre Trim Set - Whitewall 1		
	W515	Tyre Trim Set - 0.5" Wide Whiteband 1		
12	W532	Tyre Lettering Pen 1		For tyre customising
13	A092	Tyre Inflator - 567g Aerosol 1		Inflator and Puncture Repair
14	A445	Wheel Cleaner A/R		
Effectively cleans alloy, laquered and steel wheels - safe for chrome wheels				
15	A430	Tyre Dressing A/R		Cleans and restores tyre walls to satin shine

Maintaining Chromework:

The chromium plating on all club products is top quality and complies with BS1224, the industry standard for automotive products. To protect and preserve the chromium finish it is important that you apply Solvol Autochrome (A090) - BEFORE FITTING - and reapply at regular intervals. Wiping surfaces with a soft cloth soaked in Castrol DWF will also give excellent protection against corrosion in winter.

**Telephone: 01954 230928 Fax: 01954 231923, Email: sales@mgocspares.co.uk
Buy Online at www.mgocspares.co.uk**



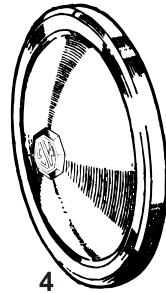
1



2



6



4



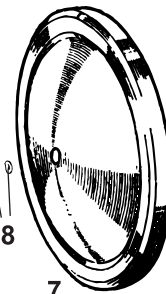
5



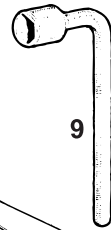
3



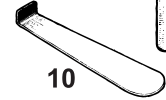
8



7



9



10



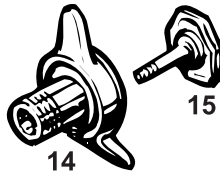
11



13



12



14



15

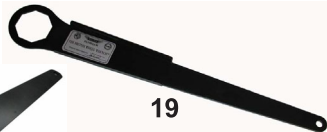


Wire Wheel Conversion Kit

16



17



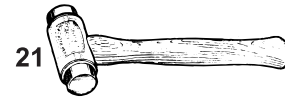
19



18



20



21



22



23

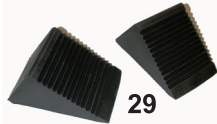


25



24

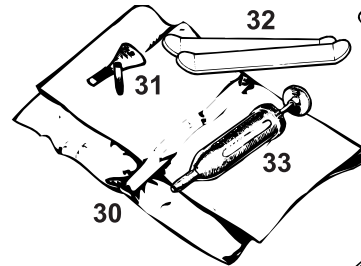
© 2009 MGOC Spares Ltd



29



27

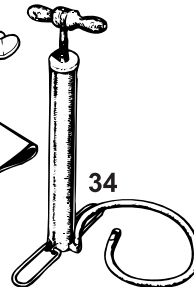


31

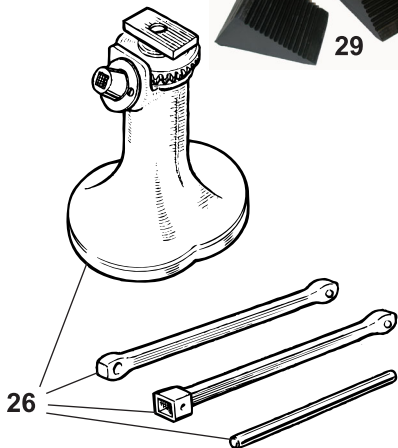
32

30

33



34



26



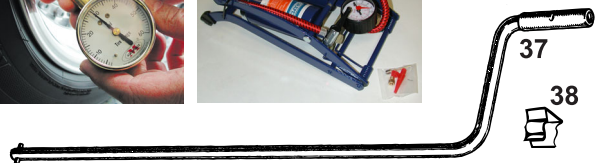
28



36



35



37

38



MG TD & MG TF



1	W533	Valve Cap Set - Chrome1		
2	W534	Valve cap set - Anti-theft - MG Logo1		
3	ATB4163	Wheel Nut - BSF Thread23		Stylish caps fitted with anti-theft securing screws
4	ATB4100	Wheel Nut - UNF Thread23		Steel wheels; TD to ch. no. 12284
4	88G289	Hub Cap - With MG Medallion4	}	Steel wheels; TD from ch. no. 12284, TF
5	88G290	Hub Cap - Without Medallion - Undrilled4		Steel wheels
6	AAA2201	Medallion - 'MG' - Hub Cap - With Clip4	}	Steel wheels; 88G290 may be used
7	ADG522	Hub Cap - Spare Wheel1		Steel wheels
8	AAA5021	Medallion - 'MG' - Spare Wheel Hub Cap1	}	Steel wheels; MGA style lever
9	ACA5217	Wheel Brace (UNF wheel nuts only)1		Steel wheels
10	11H1051	Hub Cap Lever1		
11	W182R	Spinner - 2 Ear - Plain - RHA/R	}	Wire wheels
11	W182L	Spinner - 2 Ear - Plain - LHA/R		
11	W183R	Spinner - 2 Ear - MG Logo - RHA/R		
11	W183L	Spinner - 2 Ear - MG Logo - LHA/R		
12	W172R	Spinner - Octagonal - Plain - RHA/R		
12	W172L	Spinner - Octagonal - Plain - LHA/R		
12	W173R	Spinner - Octagonal - MG Logo - RHA/R		
12	W173L	Spinner - Octagonal - MG Logo - LHA/R		
13	W186R	Spinner - 3 Ear - Plain - RHA/R		
13	W186L	Spinner - 3 Ear - Plain - LHA/R		
14	ACG5014	Spinner - Spare Wheel1		
15	ACG5018	Medallion - 'MG' - Spare Wheel Spinner1		
16	W???	Wire Wheel Conversion Kit1		TD
16	W???	Wire Wheel Conversion Kit1		TF
The correct solution for converting your TD or TF to wire wheels. Kits include splined hubs, brake drums with fixings, spinners (2 eared type), hammer, spare wheel carrier adaptor and spare wheel spinner.					
17	W174	Spanner - Octagonal Spinners1	}	Wire wheels
18	W176	2 Ear Wheel Spinner Remover - Steel1		
19	W177	Octagonal Wheel Spinner Remover - Steel1		
20	W178	Spinner Saver - Plywood - 2 Ear Spinners1		
21	11B5166	Hammer - Copper - Original Type1		
22	W190	Hammer - Copper/Hide1		
23	W175	Hammer - Lead1		
24	W195	Wheel Cleaning Brush1		
25	MM385-800	Spoke Spanner1		
26	AHH5124K	Jack Set - Original Style1		
27	Z096	Scissor Jack - 1000Kg Capacity1		Lift height from 180mm to 350mm
28	Z091	Bottle Jack - Hydraulic - 2000Kg Capacity1		Lift height from 181mm to 346mm
29	Z097	Wheel Chocks - Pair1		For increased safety when jack is used
30	AJJ580	Tool Roll - Original Style1		
31	500905	Gauge/Screwdriver - Ignition Adjustment1		Original Lucas type.
32	AJJ281K	Tyre Iron Set1		
33	119218	Grease Gun - Original Style1		
34	523638A	Stirrup Pump - Tyres - Original Style1		
35	Z095	Foot Pump - Tyres1		
36	Z195	Tyre Gauge - Angled Fitment1		Accurate tyre pressure measurement up to 60 p.s.i.
37	AAA5606	Starting Handle - Original Type1		
38	N139515	Clip - Starting Handle Stowage3		

Maintaining Chromework:

The chromium plating on all club products is top quality and complies with BS1224, the industry standard for automotive products. To protect and preserve the chromium finish it is important that you apply Solvol Autochrome (A090) - BEFORE FITTING - and reapply at regular intervals. Wiping surfaces with a soft cloth soaked in Castrol DWF will also give excellent protection against corrosion in winter.

**Telephone: 01954 230928 Fax: 01954 231923, Email: sales@mgocspares.co.uk
Buy Online at www.mgocspares.co.uk**

LAMPS & LENSES:

HEADLAMPS

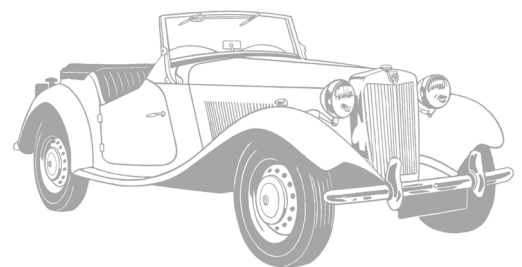
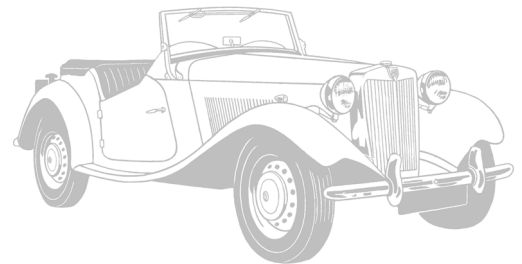
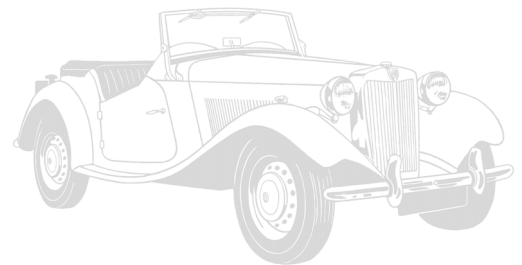
FRONT SIDE LAMPS

FOG & DRIVING LAMPS

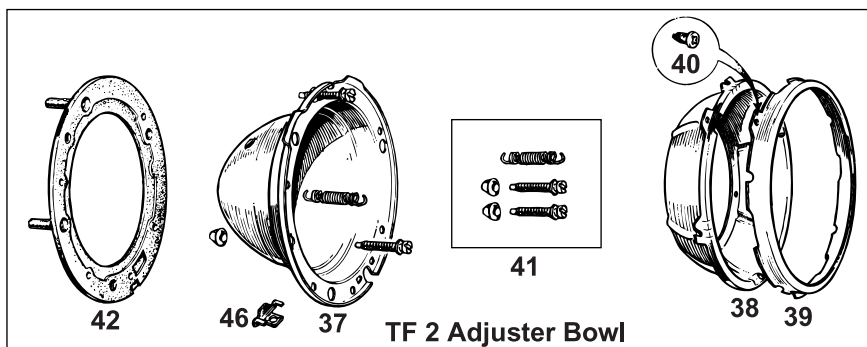
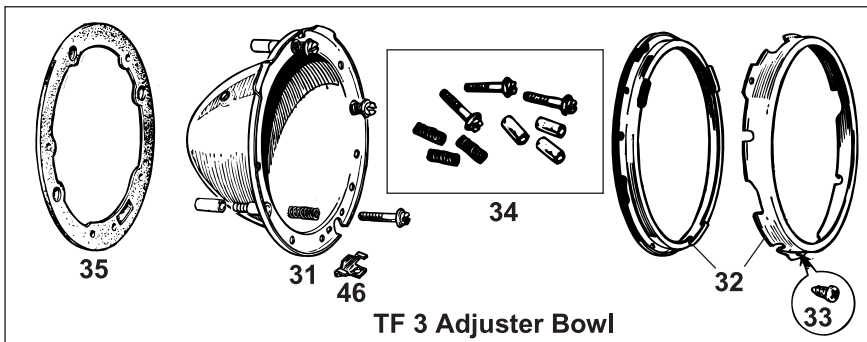
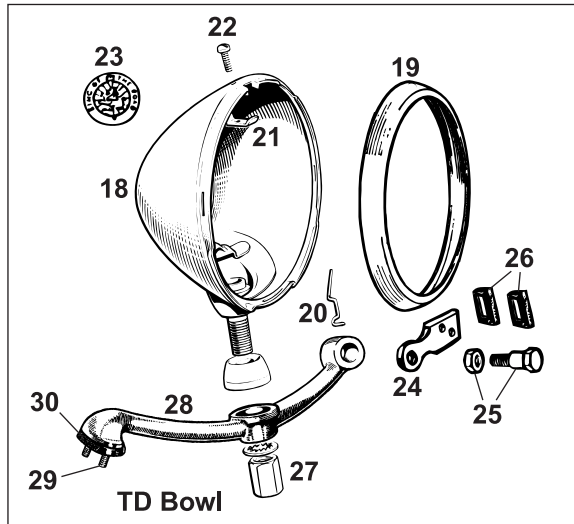
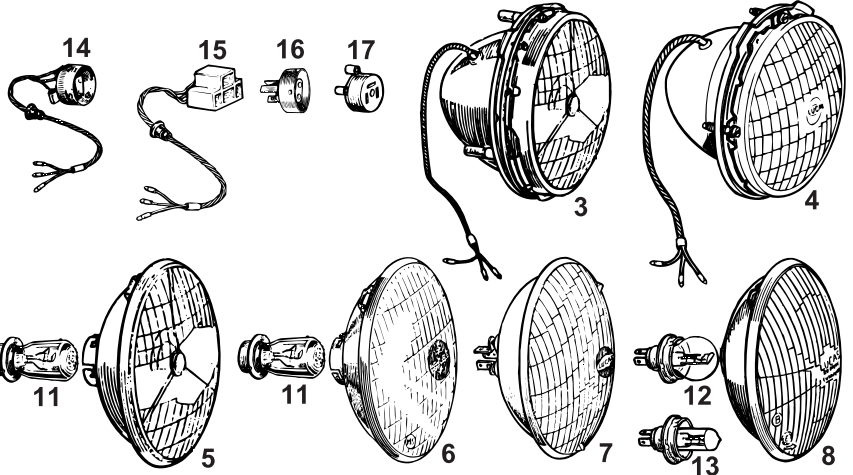
REAR LAMPS

NUMBER PLATE LAMPS

REAR REFLECTORS



© 2009 MGOC Spares Ltd



1 M100 Halogen Conversion Kit - RHD 1
 1 M101 Halogen Conversion Kit - LHD 1
 Kit contains two light units and all bulbs necessary to convert to the advantages of halogen headlamps

2 M100L	Halogen Conversion Kit - RHD - Lucas	.. 1	}	TF. Uses BPF type bulb
2 M101L	Halogen Conversion Kit - LHD - Lucas	.. 1		
3 506370X	Headlamp Assembly - Tripod - RHD	.. 2	}	TF
3 506372X	Headlamp Assembly - Tripod - LHD	.. 2		
4 47H5365	Headlamp Assembly - BPF Type - RHD	.. 2	}	Uses BPF type bulb
4 17H5543	Headlamp Assembly - BPF Type - LHD	.. 2		
4 BHM7196	Headlamp Assembly - Sealed Beam - RHD	.. 2	}	
4 514579	Headlamp Assembly - Sealed Beam - LHD	.. 2		
4 512224X	Headlamp Assembly - P45T - LHD	.. 2	}	
5 LU554308	Light Unit - Tripod - RHD	.. 2		
5 LU555296	Light Unit - Tripod - LHD	.. 2	}	
6 GLU501	Light Unit - BPF Type - RHD	.. 2		
6 17H5375	Light Unit - BPF Type - LHD	.. 2	}	
7 GLU101	Light Unit - Sealed Beam - RHD	.. 2		
7 BMK2508	Light Unit - Sealed Beam - LHD	.. 2	}	
8 27H4146	Light Unit - P45T - LHD	.. 2		
9 GLB472	Bulb - Halogen H4 - 60/55 Watt	.. 2	}	
9 M109	Bulb - Halogen H4 - 100/80W	.. 2		

Check local regulations before fitting high power 100/80 W bulbs. Also note that it is strongly advised to fit relays to operate high power bulbs to guard against burned light switch contacts.

9 GLB472X Bulb - Halogen H4 - 60/55 Watt - Xenon .. 2 Extra bright Xenon H4 type bulbs

10 GLB472SS Bulbs - Headlamp - Pair - Silverstar H4 .. 1
 60/55 watt halogen H4 bulbs giving up to 50% more light on the road and a beam extension of up to 20 metres. Osram Silverstar allows you to see better and feel safer.

11 GLB414	Bulb - BPF - RHD	.. 2	}	
11 GLB415	Bulb - BPF - LHD	.. 2		
12 GLB410	Bulb - P45T - Clear	.. 2	}	
12 GLB411	Bulb - P45T - Yellow	.. 2		
13 GLB2983	Bulb - P45T - Halogen	.. 2	}	Also takes halogen bulb Adapts sealed beam/P45T plug to take BPF lamp
14 27H2333	Headlamp Loom - BPF	.. 2		
15 BAU2110	Headlamp Loom - Sealed Beam/P45T	.. 2	}	
16 501473	Headlamp Plug Adaptor - BPF	.. 2		
17 600226A	Adaptor - Sealed Beam/P45T	.. 2	}	TD. With medallion TD. Without medallion
18 AAA4683X	Bowl - Headlamp - Chrome	.. 2		
18 37H5505X	Bowl - Headlamp - Painted	.. 2	}	TD
19 17H5403	Rim - Chrome	.. 2		
20 7H5167	Wire Clip - Rim to Lamp	.. 8	}	TD chrome bowl
21 AAA4683C	Clip - Rim to Bowl	.. 2		
22 AJD4245C	Screw - Clip to Bowl	.. 2	}	TD
23 AAA4683B	Medallion - 'King of the Road'	.. 2		
24 AJJ144	Bracket - Headlamp Mounting	.. 2	}	
25 AAA546K	Bolt and Nut Set - Headlamp Bracket	.. 2		
26 AAA558K	Rubber Ferrule Set - Bracket (2 ferrules)	.. 1	}	TD
27 27H5055	Nut - Headlamp Bowl to Bracket	.. 1		
28 AAA2199	Bracket - Headlamp and Wing - RH	.. 1	}	
28 AAA2200	Bracket - Headlamp and Wing - LH	.. 1		
29 AAA2199S	Stud - Bracket	.. 4	}	TF, three adjuster headlamp bowl (original style)
30 AAA548	Packing - Bracket	.. 2		
31 7H6838	Headlamp Bowl	.. 2	}	TF, two adjuster headlamp bowl
32 17H5205	Rim Assembly	.. 2		
33 AB606021	Screw	.. 6	}	
34 17H5394K	Adjuster Kit	.. 2		
35 3H1031	Gasket - Headlamp	.. 2	}	
36 27H8263X	Headlamp Bowl Assembly	.. 2		
37 HB1	Headlamp Bowl - Metal	.. 2	}	
37 HB2	Headlamp Bowl - Plastic	.. 2		
38 27H6481	Inner Bowl	.. 2	}	
39 515218	Retaining Rim - Chrome	.. 2		
40 AB606021	Screw	.. 6	}	
41 BHM7058	Adjuster and Spring Kit	.. 2		
42 13H565	Gasket - Headlamp	.. 2	}	
43 3H2962	Dust Excluder	.. 2		
44 500929	Rim - Headlamp - Chrome	.. 2	}	TF
45 RTC465	Screw	.. 2		
46 37H7421A	Clip - Rim	.. 2	}	
47 PMZ314	Screw - Lamp to Body	.. 8		
48 GHF206	Nut	.. 4	}	
49 WL700101	Washer - Spring	.. 8		
50 GHF306	Washer - Plain	.. 8	}	



51 K017 Chrome Stoneguards - Pair1
Chromium wire stoneguards to protect your 7" MG headlamps.

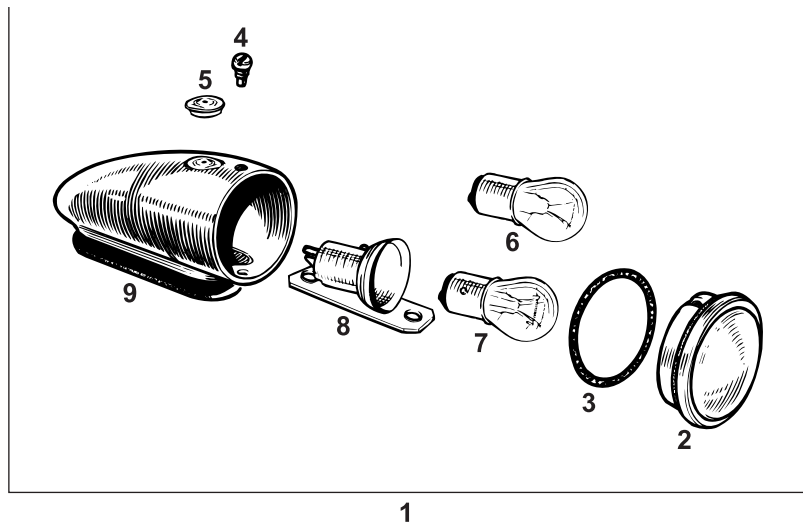
52 M111 Spare Bulb Kit - P45T1 Includes clear P45T headlamp bulb
52 M110 Spare Bulb Kit - Halogen1 Includes halogen headlamp bulb
53 M112 Headlamp Beam Deflector Kit1

For continental touring with RHD car fitted with sealed beam or halogen headlamps

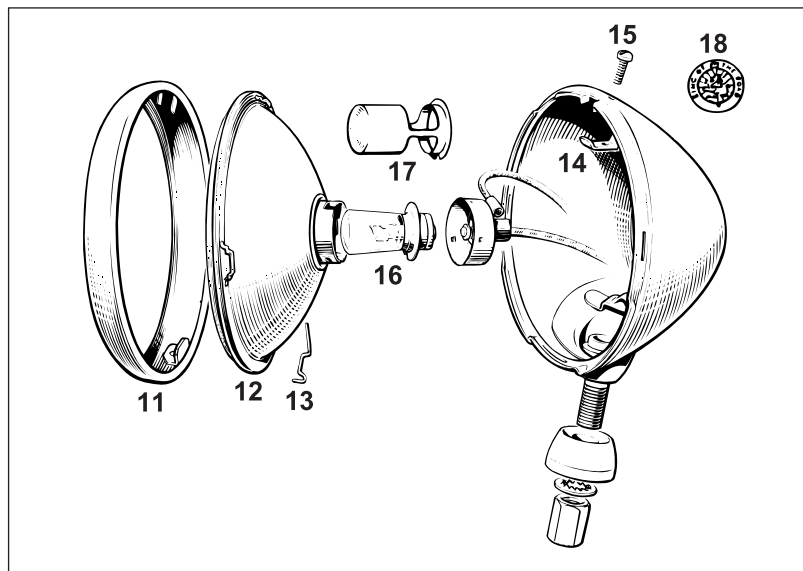
Maintaining Chromework:

The chromium plating on all club products is top quality and complies with BS1224, the industry standard for automotive products. To protect and preserve the chromium finish it is important that you apply Solvol Autochrome (A090) - BEFORE FITTING - and reapply at regular intervals. Wiping surfaces with a soft cloth soaked in Castrol DWF will also give excellent protection against corrosion in winter.

**Telephone: 01954 230928 Fax: 01954 231923, Email: sales@mgocspares.co.uk
Buy Online at www.mgocspares.co.uk**



1



10

© 2009 MGOC Spares Ltd



19

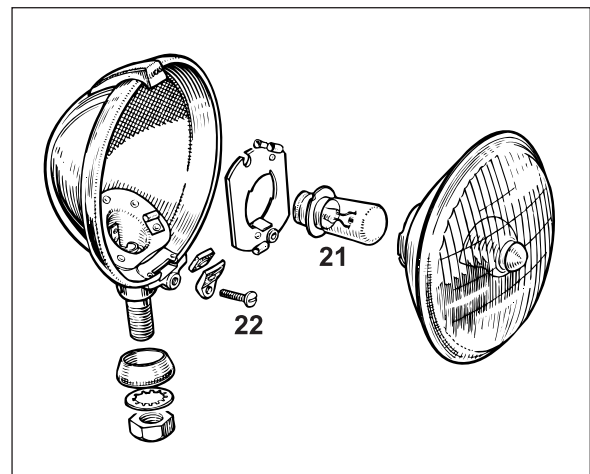
20



23



24



20

1	2H1150	Side Lamp Assembly2		
1	57H5444	Side Lamp Assembly2		Single filament bulb type. May be replaced by 57H5444
2	7H5217	Lens - Glass - With Chrome Rim2		Dual filament bulb type. With offset bayonet bulb
3	7H5218	O Ring - Lens Sealing2		
4	27H5026	Screw - Lens Securing2		
5	57H5444B	Medallion - 'King of the Road' - Red2		
6	GLB207	Bulb - 5w - Single Filament2	}	Alternatives
7	GLB381	Bulb - 21/5w - Dual Filament - In Line Bayonet 22		
7	GLB380	Bulb - 21/5w - Dual Filament - Offset Bayonet 22		
8	7H5539	Bulbholder - Single Contact2		
8	27H5056	Bulbholder - Dual Contact - In Line Bayonet 22	}	TD option
8	27H5193	Bulbholder - Dual Contact - Offset Bayonet 22		
9	AAA59	Gasket - Rubber - Lamp to Wing2		
10	47H5592	Fog Lamp Assembly - Lucas SFT462 Type 11	}	TF option
11	7H5365	Rim - Chrome1		
12	7H5320	Light Unit1		
13	47H5592C	Clip - Wire - Light Unit to Rim3		
14	AAA4683C	Clip - Rim to Bowl1		
15	17H5042	Screw - Clip to Bowl1		
16	GLB323	Bulb - SFT462 Fog Lamp1		
17	47H5592S	Shield - Bulb1		
18	47H5592M	Medallion - 'King of the Road'1		
19	K050	Driving Lamp - Lucas SLR576 Type	... A/R	}	TF option
19	K055	Driving Lamp - Lucas SLR576 Replica	A/R		
20	K051	Fog Lamp - Lucas SFT576 Type	... A/R		
20	K056	Fog Lamp - Lucas SFT576 Replica	... A/R		

The K050 driving lamp is the authentic style classic Lucas SLR576 lamp, while K051 is the equivalent SFT576 fog lamp. Both were beloved by 1950s and 1960s sports car owners. K055 and K056 are replicas of the SLR576 and SFT576 respectively.

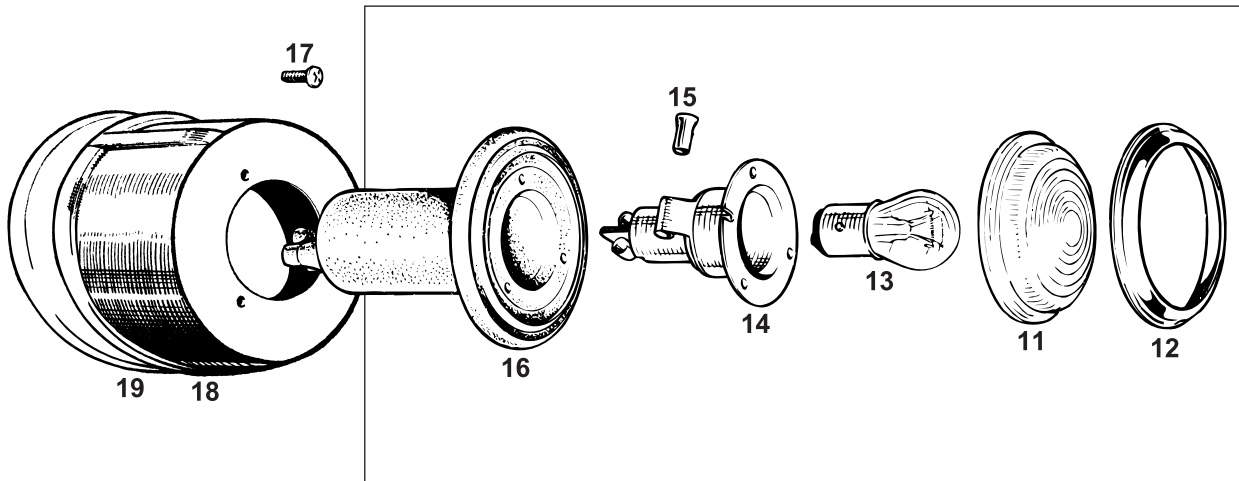
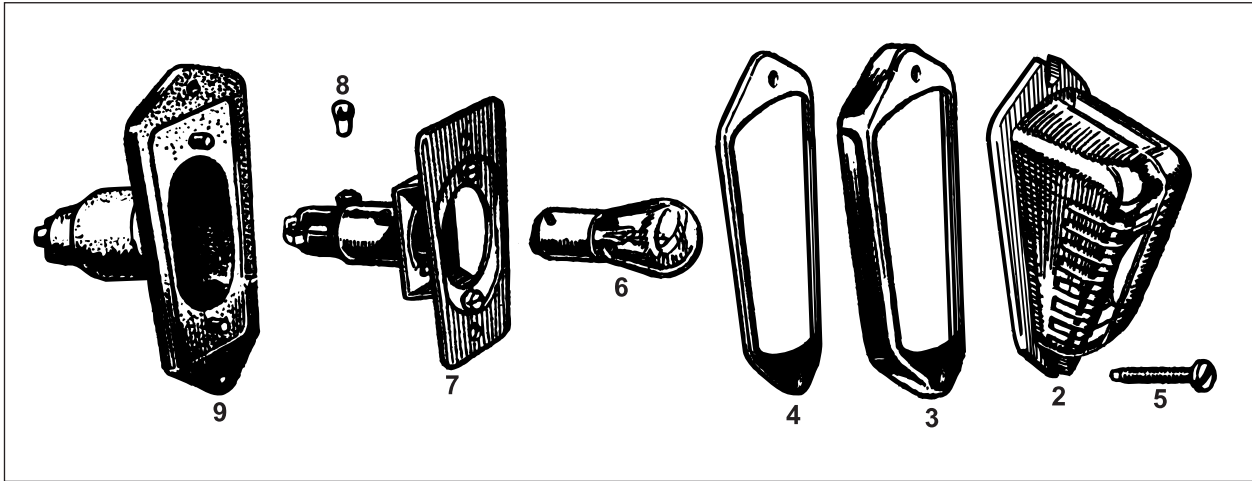
21	GLB185	Bulb - SLR576 and SFT576 Lamps	... A/R	}	TF option
22	57H5569	Screw - Lens Retaining	... A/R		
23	F035	Lamp Cover - Lucas - 'Q'	... A/R		
24	F036	Lamp Cover - Lucas - Lion	... A/R		

Complete the picture by furnishing your classic Lucas lamps with these faithful Lucas style covers.

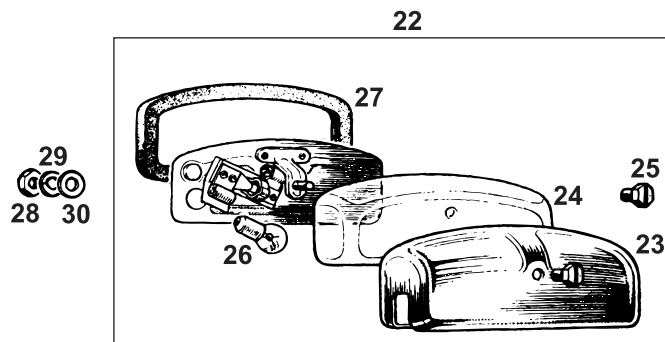
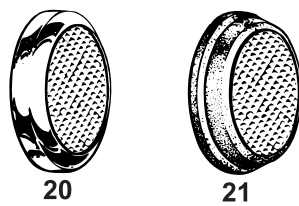
Maintaining Chromework:

The chromium plating on all club products is top quality and complies with BS1224, the industry standard for automotive products. To protect and preserve the chromium finish it is important that you apply Solvol Autochrome (A090) - BEFORE FITTING - and reapply at regular intervals. Wiping surfaces with a soft cloth soaked in Castrol DWF will also give excellent protection against corrosion in winter.

**Telephone: 01954 230928 Fax: 01954 231923, Email: sales@mgocspares.co.uk
Buy Online at www.mgocspares.co.uk**



© 2009 MGOC Spares Ltd





**MG TD
&
MG TF**



1	37H5381	Stop/Tail Lamp Ass'y - With Glass Lens	..2	} TD to ch. no. 21302
2	AAA4750	Lens - Glass	..2	
2	501934	Lens - Plastic	..2	
3	502347	Rim - Chrome	..2	
4	502332	Gasket - Lens	..2	
5	502348	Screw - Rim	..4	
6	GLB380	Bulb - 21/5w	..2	
7	7H5111	Bulb Holder Assembly	..2	
8	27H6713	Connector - Bullet	..2	
9	N136884	Body - Rubber	..2	
10	3H1814	Stop/Tail Lamp Ass'y - With Glass Lens	..2	} TD from ch. no. 21303, TF
11	7H5183	Lens - Glass	..2	
12	7H5182	Rim - Chrome	..2	
13	GLB380	Bulb - 21/5w	..2	
14	17H5426	Bulb Holder Assembly	..2	
15	27H6713	Connector - Bullet	..2	
16	37H5481	Body - Rubber	..2	
17	AB606041	Screw - Lamp to Plinth	..6	
18	AAA5019	Plinth - Stop/Tail Lamp - Chrome	..2	
19	N500808K	Gasket Set - Plinth to Wing - Rubber - Pair	1	
20	MM144-700	Reflector - Rear	..2	} TD MkII, if fitted TF
21	AMK9804	Reflector - Rear	..2	
22	127916	Number Plate Lamp Assembly	..1	} 2 used on replacement lamps
23	502264	Cover - Lamp - Chrome	..1	
24	601721A	Lens - Lamp	..1	
25	17H5385	Screw - Chrome	..1	
26	GLB989	Bulb - Number Plate Lamp	..1/2	
27	57H5368	Gasket - Number Plate Lamp	..1	
28	GHF206	Nut - Lamp to Bracket	..2	
29	WL700101	Washer - Spring	..2	
30	GHF206	Washer - Plain	..2	

Maintaining Chromework:

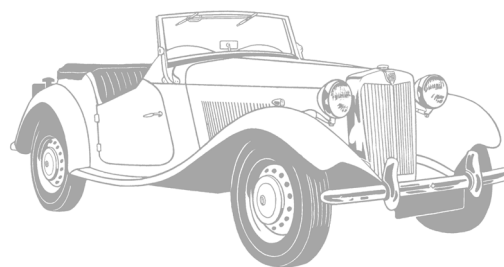
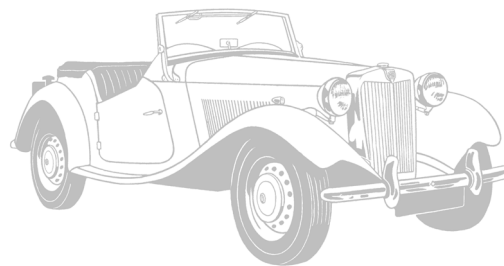
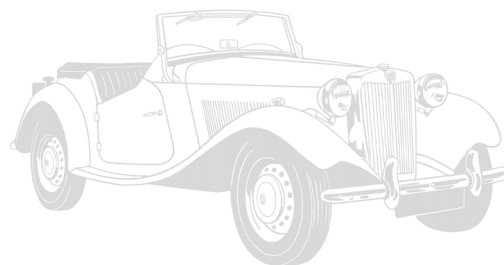
The chromium plating on all club products is top quality and complies with BS1224, the industry standard for automotive products. To protect and preserve the chromium finish it is important that you apply Solvol Autochrome (A090) - BEFORE FITTING - and reapply at regular intervals. Wiping surfaces with a soft cloth soaked in Castrol DWF will also give excellent protection against corrosion in winter.

**Telephone: 01954 230928 Fax: 01954 231923, Email: sales@mgocspares.co.uk
Buy Online at www.mgocspares.co.uk**



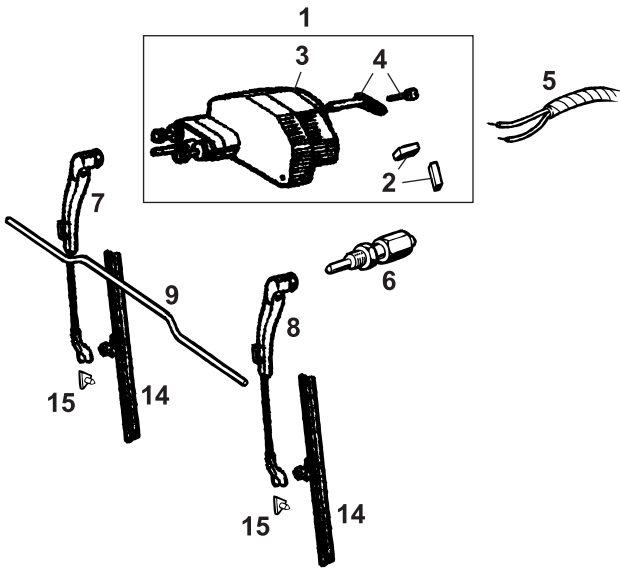
WASH WIPE:

WIPER ARMS & BLADES
WIPER MOTORS

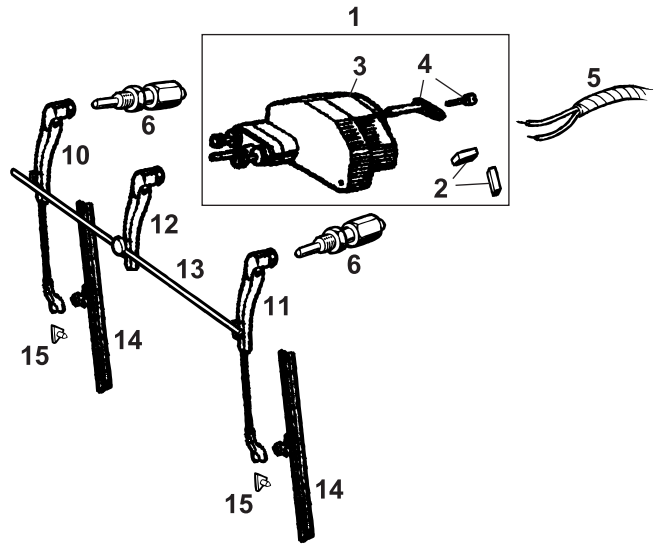


MGOC Spares & Accessories, Octagon House, Swavesey, Cambridge CB24 4QZ
Tel: 01954 230928 and 01954 231318 Email: sales@mgocspares.co.uk

TD to ch. no. 22314

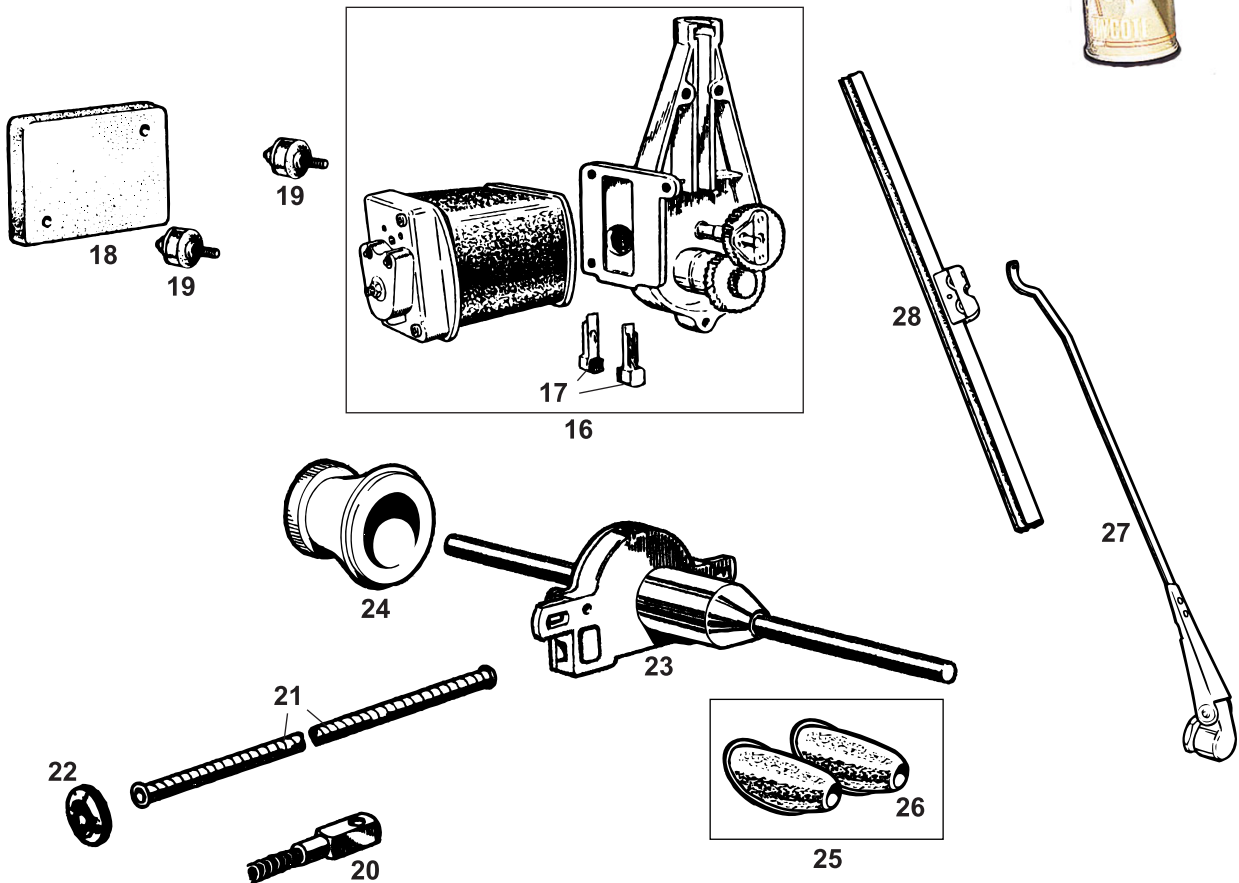


TD from ch. no. 22315



© 2009 MGOC Spares Ltd

TF



1	AAA2351	Wiper Motor - New	1	TD
1	AAA2351E	Wiper Motor - Reconditioned	1	TD. One-for-one exchange unit
2	27H5432	Carbon Brush Set - Motor	1] TD
3	7H5367	Cover - With Handle and Switch	1	
4	AAA2351H	Handle and Screw	1	
5	AAA2351W	Extension Loom - Wiper Motor	1	
6	27H5112	Bearing - Wiper Mechanism	1/2	TD. Qty increased from ch. No. 22315
7	N138666	Wiper Arm - RH	1] TD to ch. no. 22314
8	N138667	Wiper Arm - LH	1	
9	57H5217	Coupling bar - Wiper Arms	1] TD from ch. no. 22315
10	AAA2357	Wiper Arm - RH	1	
11	AAA2358	Wiper Arm - LH	1	
12	AAA2354	Wiper Arm - Centre (link arm)	1] TD
13	AAA2352	Coupling bar - Wiper Arms	1	
14	27H5089	Wiper Blade	2] TF
15	2H7954	Stop Rubber - Wiper Blade	2	
16	14B2691	Wiper Motor - New	1] TF. Customer's own unit reconditioned
16	14B2691E	Wiper Motor - Reconditioned	1	
17	508170	Carbon Brush Set - Motor	1] For wiper motor casings
18	27H5073	Pad - Rubber - Motor Mounting	1	
19	17H5431	Mounting Kit - With Stud, Bushes, Nuts and Washers	2	
20	37H5208	Wiper Rack - Cut to Length	1	
21	AAU1909	Casing - Wiper Rack - Cut to Length	2	
22	C5574	Grommet - Casing Through Bulkhead	1	
23	AKG455	Wheelbox - Wiper - RH	1	
23	AKG456	Wheelbox - Wiper - LH - With Switch	1	
24	27H5044	Knob - Wiper Control	2	
25	AAA5060K	Bush Set - Rubber - Wheelbox Sealing	1	
26	AAA5060	Bush - Rubber - Wheelbox Sealing	2	
27	ADG742	Wiper Arm	2	
28	ADG743	Wiper Blade	2	
29	A029	Wrinkle Finish Paint - Aerosol - 400ml	A/R	

Maintaining Chromework:

The chromium plating on all club products is top quality and complies with BS1224, the industry standard for automotive products. To protect and preserve the chromium finish it is important that you apply Solvol Autochrome (A090) - BEFORE FITTING - and reapply at regular intervals. Wiping surfaces with a soft cloth soaked in Castrol DWF will also give excellent protection against corrosion in winter.

**Telephone: 01954 230928 Fax: 01954 231923, Email: sales@mgocspares.co.uk
Buy Online at www.mgocspares.co.uk**

ELECTRICS:

SPEEDOMETER

REV COUNTER

SPEEDOMETER CABLES

AUXILLIARY GAUGES

SWITCHES

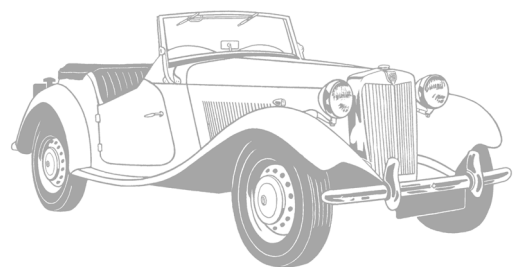
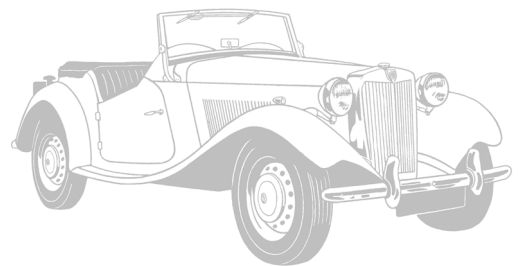
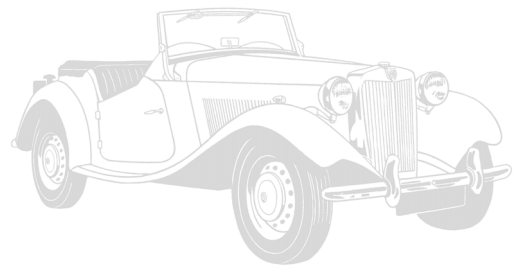
HORNS

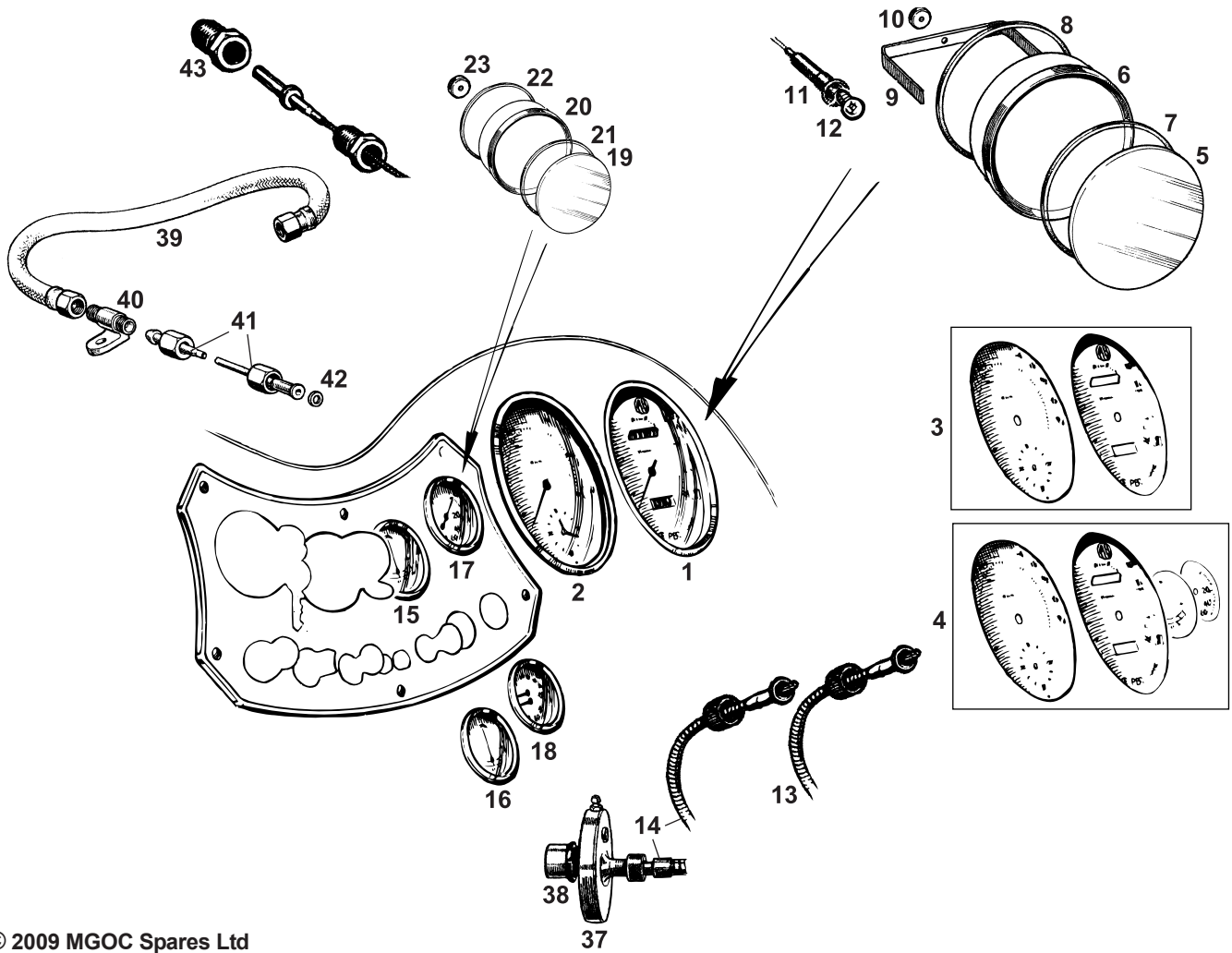
CONTROL BOXES & FUSES

LOOMS

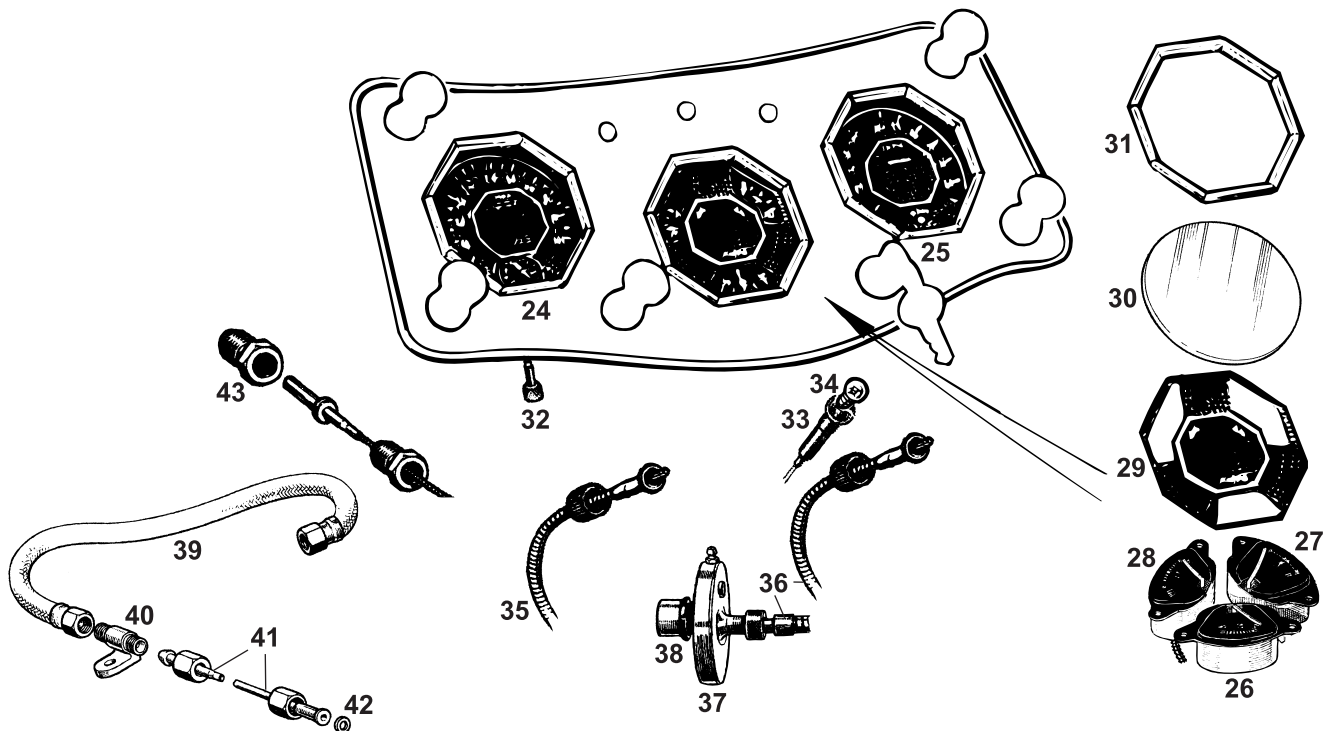
BATTERIES

BATTERY CABLES

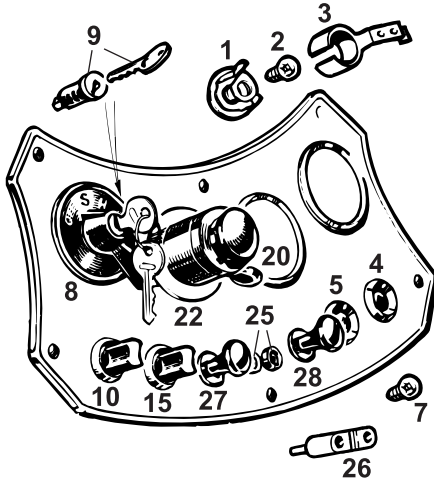




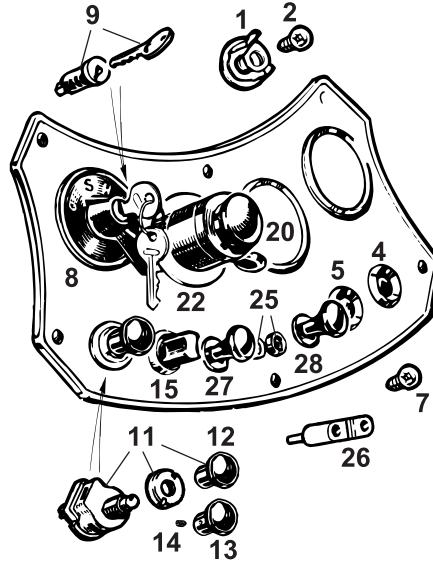
© 2009 MGOC Spares Ltd



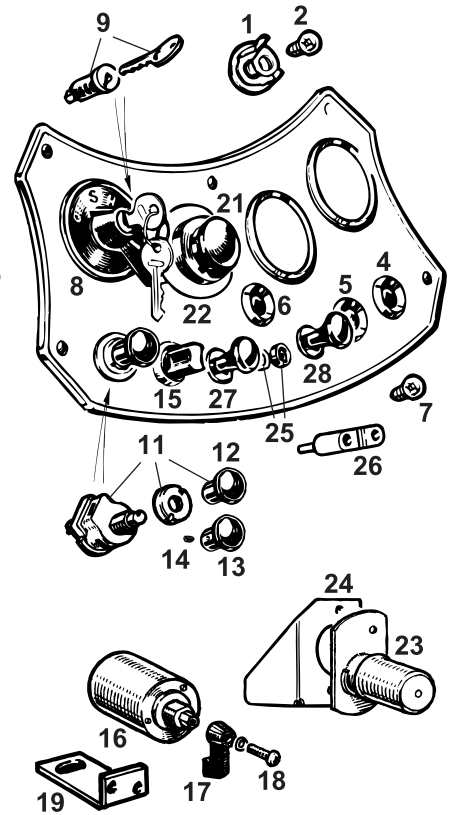
TD Switches to Ch. No.
10778 (RHD) and 10750 (LHD)



TD Switches from Ch. No.
10779 (RHD) and 10751 (LHD)
to 18882

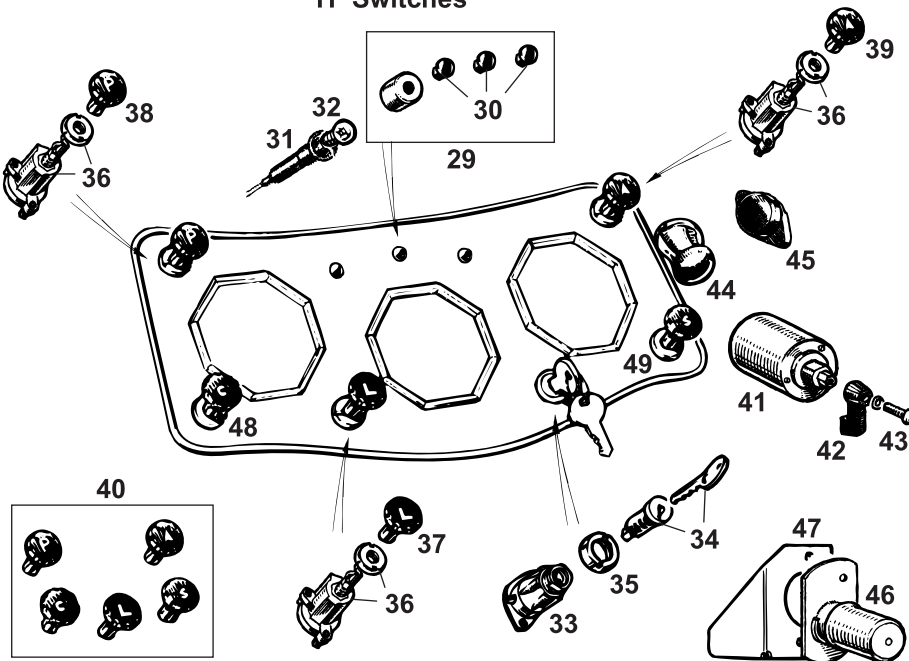


TD Switches from Ch. No.
18883

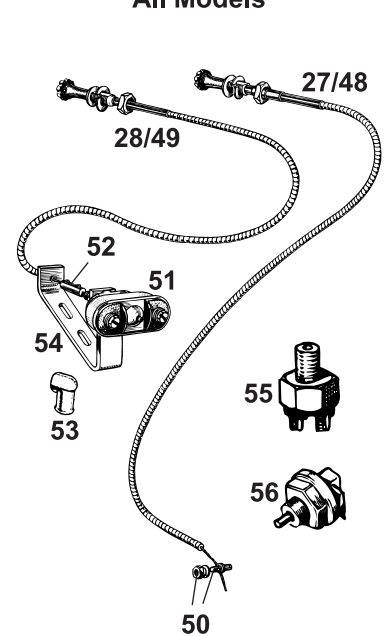


© 2009 MGOC Spares Ltd

TF Switches



All Models



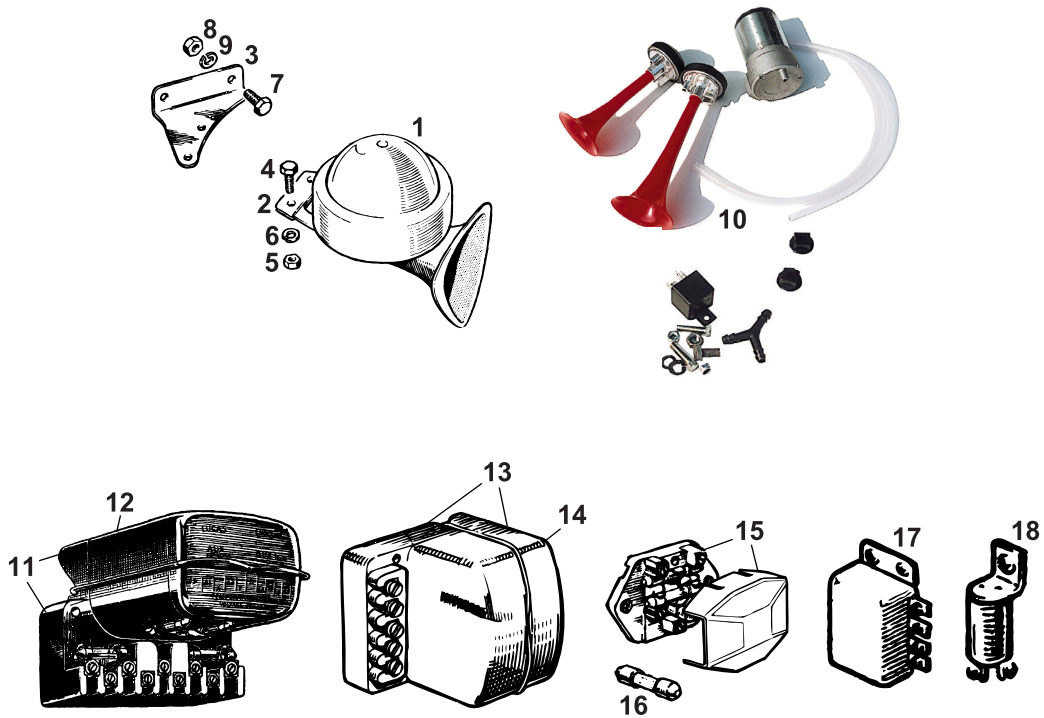


**MG TD
&
MG TF**

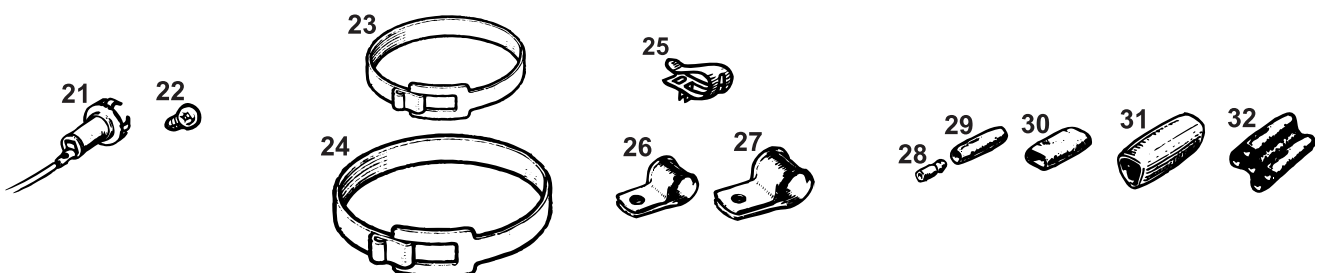
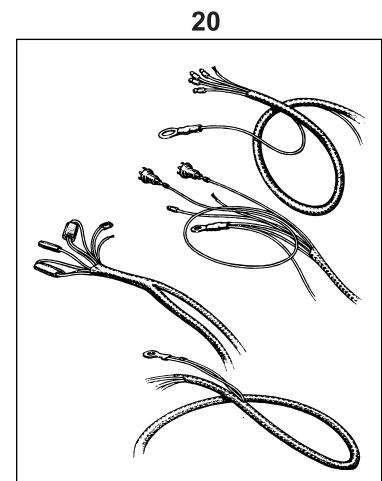
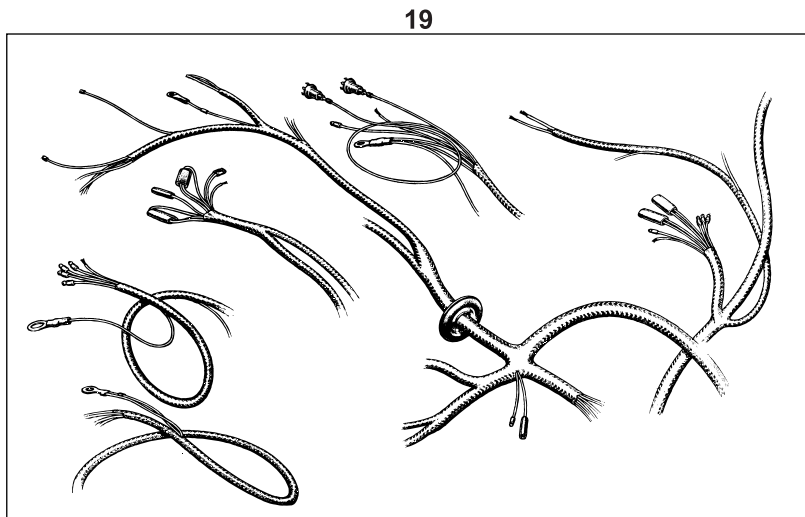


1	27H5154	Bulb Holder - Dash Illumination	A/R	}	TD
2	GLB987	Bulb - Dash Illumination	A/R		TD to ch. no. 10778 (RHD) and 10750 (LHD)
3	27H5154X	Bracket - Bulb Holder	4	}	TD
4	2H3827	Warning Lamp - Ignition - Red	1		TD from ch. no. 22371
5	37H5058	Warning Lamp - Low Fuel - Green	1	}	TD. Qty. increased from ch. no. 22371
6	37H5058	Warning Lamp - Indicators - Green	1		TD
7	GLB987	Bulb - Warning Lamps	2/3	}	TD to ch. no. 10778 (RHD) and 10750 (LHD)
8	2H2020	Switch - With Lock - Ignition/Headlamps . . .	1		TD
9	2H4185	Barrel Lock - Ignition - With 2 Keys	1	}	TD from ch. no. 10779 (RHD) and 10751 (LHD)
10	2H1069	Switch - Panel Lights - With Knob	1		TD
11	BHA4278	Switch - Panel Light Rheostat - With Knob . .	1	}	TD. Original type
12	AHH5368	Knob - Rheostat Switch - Push on Type . . .	1		TD. Alternative
13	N138540	Knob - Rheostat Switch - Screw on Type . .	1	}	TD
14	N138541	Grub Screw - Knob	1		TD
15	2H1069	Switch - Accessories - With Knob	A/R	}	TD to ch. no. 18882
16	AMK5607	Switch - Indicators	1		TD from ch. no. 18883
17	27H5511	Knob - Black	1	}	TD
17	11K9308	Knob - White	1		TD from ch. no. 18883
18	17H5483	Screw - Knob to Switch	1	}	TD RHD from ch. no. 18883
19	N271261	Bracket - Indicator Switch	1		TD LHD from ch. no. 18883
20	27H5106	Horn Push - With Dip Switch	1	}	TD
21	N500851	Horn Push	1		TD from ch. no. 18882
22	27H5106CV	Chrome Washer Set - Behind Horn Push . .	1	}	TD
23	11G2007	Dip Switch	1		TD from ch. no. 18883
24	ACG5045	Bracket - Dip Switch	1	}	TD RHD from ch. no. 18883
24	N500804	Bracket - Dip Switch	1		TD LHD from ch. no. 18883
25	N139016SK	Socket Set - Accessory Plug	1	}	TD
26	N139016SP	Plug - Accessory	1		TF. Select lens required (red, green or blue)
27	AAA2216	Choke Cable	1	}	TF
28	AAA4987	Starter Cable	1		TF. Original type
29	AJG5047K	Warning Lamp Body - With 3 Lenses	3	}	TF. Alternative
30	AJG5044	Lens - Red - Ignition Warning	1		TF
30	AJG5046	Lens - Green - Indicators	1	}	TF
30	AJG5045	Lens - Blue - Low Fuel Warning	1		TF
31	AEU1313A	Bulb Holder - Warning Lamp	3	}	TF
32	GLB987	Bulb - Warning Lamp	3		TF
33	ADH4502	Switch - Without Lock - Ignition	1	}	TF
34	24G1345	Barrel Lock - Ignition - With 2 Keys	1		TF
35	ACG5093	Bezel - Ignition Switch	1	}	TF
36	3H3098	Switch - Headlamp/Panel Lamp/Accessory . .	3		TF
37	AAA4248	Knob - Headlamp Switch - 'L'	1	}	TF
38	AAA4249	Knob - Panel Light Switch - 'P'	1		TF
39	ACG5174	Knob - Accessory Switch - 'A'	1	}	TF
40	AAA4248K	Knob Set - 'L', 'P', 'A', 'C' and 'S'	1		TF
41	AMK5607	Switch - Indicators	1	}	TF
42	27H5511	Knob - Black	1		TF
42	11K9308	Knob - White	1	}	TF
43	17H5483	Screw - Knob to Switch	1		TF
44	27H5044	Knob - Windscreen Wiper Control	2	}	TF
45	2H3383	Horn Push	1		TF
46	11G2007	Dip Switch	1	}	TF
47	ACG5045	Bracket - Dip Switch	1		TF
47	N500804	Bracket - Dip Switch	1	}	TF
48	ACG5061	Choke Cable	1		TF
49	ACG5063	Starter Cable	1	}	TF
50	ACC5062K	Trunnion Kit - Choke Cable	1		TF
51	3H949	Switch - Starter Motor	1	}	TF
52	3H950	Coupling - Switch to Starter Cable	1		TF
53	8G548	Terminal Cover - Switch - Rubber	2	}	TF
54	N136683	Bracket - Switch	1		TF
55	13H2303	Switch - Brake Light - Screw Terminals . .	1	}	TF
55	C16062	Switch - Brake Light - Spade Terminals . .	1		TF
56	BAU1074	Switch - Reversing Light	1	}	TF
					Alternative If reversing lights fitted

Telephone: 01954 230928 Fax: 01954 231923, Email: sales@mgocspares.co.uk
Buy Online at www.mgocspares.co.uk



© 2009 MGOC Spares Ltd



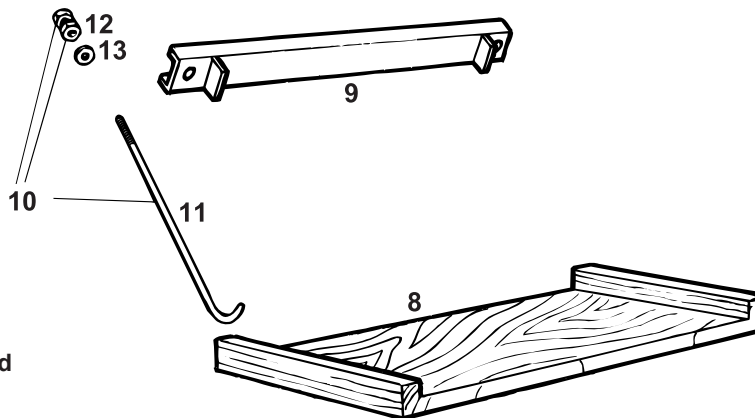
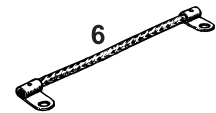
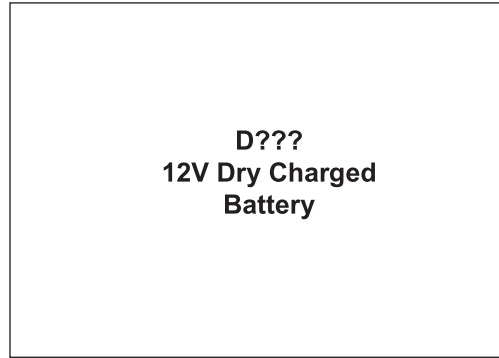
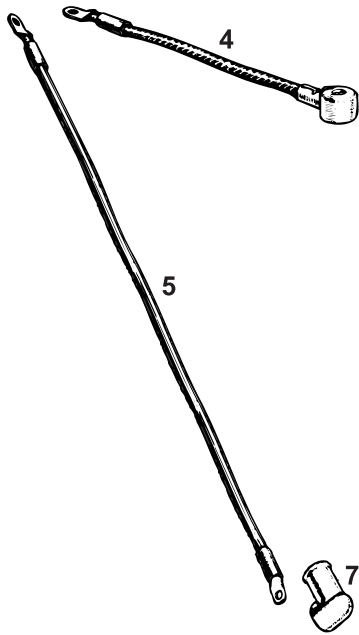


**MG TD
&
MG TF**

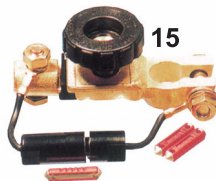


1	1B9007	Horn - Low Note	1] Late TF types, used as replacements on earlier cars. Supplied without domed covers.
1	1B9008	Horn - High Note	1	
2	17H5410	Horn Mounting - Flexible	2	
3	AAA2107	Bracket - Horn to Bulkhead - RH	1	
3	AAA2088	Bracket - Horn to Bulkhead - LH	1	
4	SH604071	Screw	4	
5	GHF200	Nut	4	
6	GHF331	Washer - Spring	4	
7	SH605051	Screw	4	
8	GHF201	Nut	4	
9	GHF332	Washer - Spring	4	
10	F330	Air Horns - Triple - Targa	1	
10	F335	Air Horns - Double - Monza	1	
11	2H4929	Regulator - Dynamo - With Fuses - 9 Post	1] TD to ch. no. 8141
12	7H5127	Cover - Regulator	1	
13	3H1835	Regulator - Dynamo - 5 Post	1] TD from ch. no. 8142, TF
14	7H5522	Cover - Regulator	1	
15	1G2613	Fuse Box	1	
16	GFS3035S	Fuse - 35 Amp	A/R	
16	GFS3050S	Fuse - 50 Amp	A/R	
17	3H1454	Relay - Indicators and Brake Lights	1	
18	GFU2101	Flasher Unit - Indicators - Screw Terminals	1	Alternative
18	GFU2103	Flasher Unit - Indicators - Spade Terminals	1	
19	ML589	Main Loom - Braided - 2 Piece	1	TD; RHD/LHD, dip switch on dash, no indicators
19	ML590	Main Loom - Braided - 2 Piece	1	TD; RHD/LHD, dip switch on dash, indicators, relay on bulkhead
19	ML599	Main Loom - Braided - 4 Piece	1	TD; RHD/LHD, dip switch on dash, indicators, relay under dash
19	ML591	Main Loom - Braided - 2 Piece	1	TD; RHD/LHD, dip switch on floor, no indicators
19	ML592	Main Loom - Braided - 2 Piece	1	TD; RHD/LHD, dip switch on floor, indicators
20	ML5891	Panel Loom - Braided - 1 Piece	1	TD; RHD/LHD
19	ML593	Main Loom - Braided - 2 Piece	1] TF; RHD/LHD
20	ML5931	Panel Loom - Braided - 1 Piece	1	
21	AEU1313A	Bulb Holder - Map Light	1] TF
22	GLB987	Bulb - Map Light	1	
23	2K6640	Strap - Loom Tie Down - Small	A/R	
24	ACH8650	Strap - Loom Tie Down - Large	A/R	
25	N095100	Clip - Loom to Chassis	A/R	
26	AHH5248	P Clip - Loom - Small	A/R	
27	PCR407	P Clip - Loom - Large	A/R	
28	GHF2200	Bullet Connector	A/R	
29	2H3406	Connector - One Way	A/R	
30	RTC603A	Connector - Two Way	A/R	
31	BHA4460	Connector - Three Way	A/R	
32	AAA4690	Connector - Five Way	A/R	

**Telephone: 01954 230928 Fax: 01954 231923, Email: sales@mgocspares.co.uk
Buy Online at www.mgocspares.co.uk**



© 2009 MGOC Spares Ltd



1	D???	Battery - 12 Volt - Heavy Duty	1	Dry charged
2	D010	Battery Acid - 1Kg Bottle	6	
3	AAA4942	Cable - Battery to Chassis	1	Positive (earth)
4	N500129	Cable - Battery to Starter Switch	1	Negative
5	AAA4943	Cable - Starter Switch to Starter Motor	1	Negative
6	2K6167	Cable - Engine to Chassis	1	Positive (earth)
7	8G548	Cap - Insulating	A/R	
8	N500805	Battery Tray - Wood	1	
9	AAA1773	Clamp - Battery Stay	1	
10	AAA1773FK	J Bolt and Nut Set - Battery Stay	1	} Included in battery stay bolt and nut set
11	N136691	J Bolt - Battery Stay	2	
12	AJD8104Z	Nut	4	
13	PWZ204	Washer - Plain	2	
14	E009	Master Switch - Battery	1	Standard type
	E001	Master Switch - Battery	1	FIA type
	E001A	Switch Key	1	Fits standard or FIA types
15	E008	Switch - Battery Isolator - Disconnect	1	

Mounts to battery posts and cuts off power at turn of a knob. With by-pass fuse to power clock etc.

16	D019	Booster Cable Set - Battery	1
17	D020	Charger - Battery - 6 and 12 Volt	1
	D022	Charger - Battery - 12 Volt Only	1
18	D021	Accumate Battery Conditioner	1

The Accumate battery charger and maintainer is completely automatic, safe and simple to use. The advanced 3-stage charging programme features both constant current and constant voltage charging to completely and correctly charge a variety of battery types. It also properly maintains a battery at its correct voltage during storage and long periods of non-use without overcharging and gassing. The Accumate is reverse polarity protected and spark proof and features 5 LED indicator lights, 3 of which indicate the battery's current charge status.

This unit is outstanding for charging and maintaining batteries up to 55Ah and comes with useful ring and clip style cables that have a quick disconnect if you are only maintaining one battery. Accumate is fitted with a UK mains plug and runs with a supply of 220-240 volts only. It has a 2 year guarantee.

**Telephone: 01954 230928 Fax: 01954 231923, Email: sales@mgocspares.co.uk
Buy Online at www.mgocspares.co.uk**

BODY FITTINGS:

RADIATOR GRILLES

BONNET FITTINGS & BADGES

BODY FITTINGS

DOOR FITTINGS & LOCKS

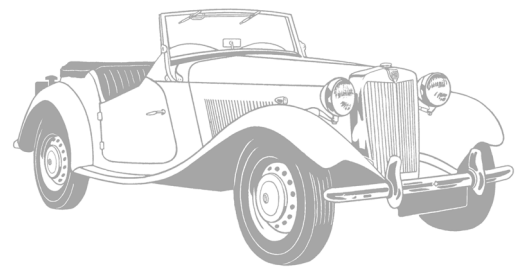
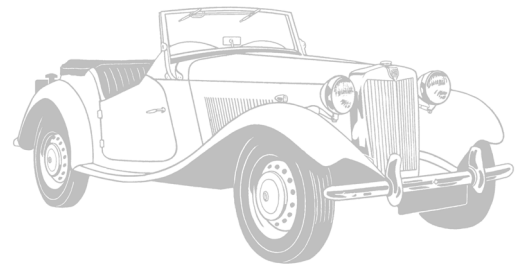
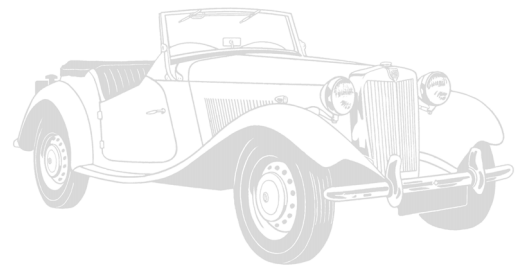
ACCESSORY BADGES

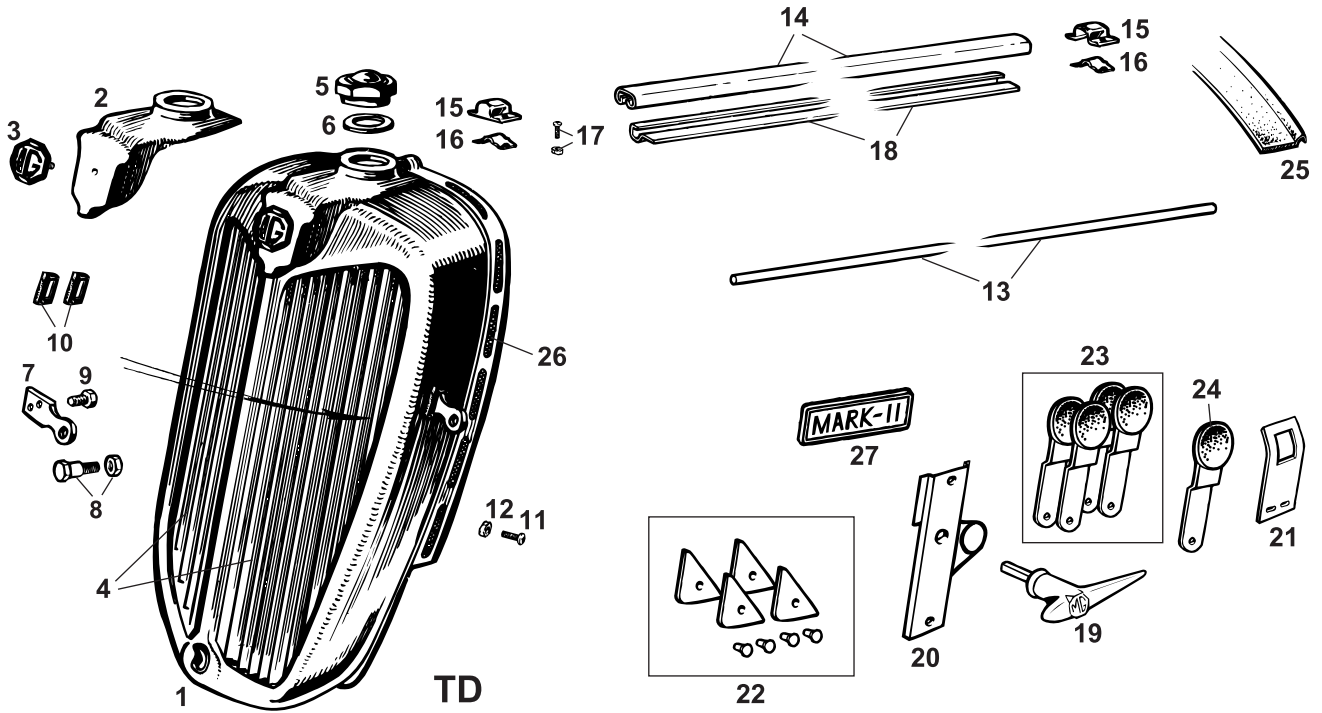
BUMPERS

NUMBER PLATE BACKINGS

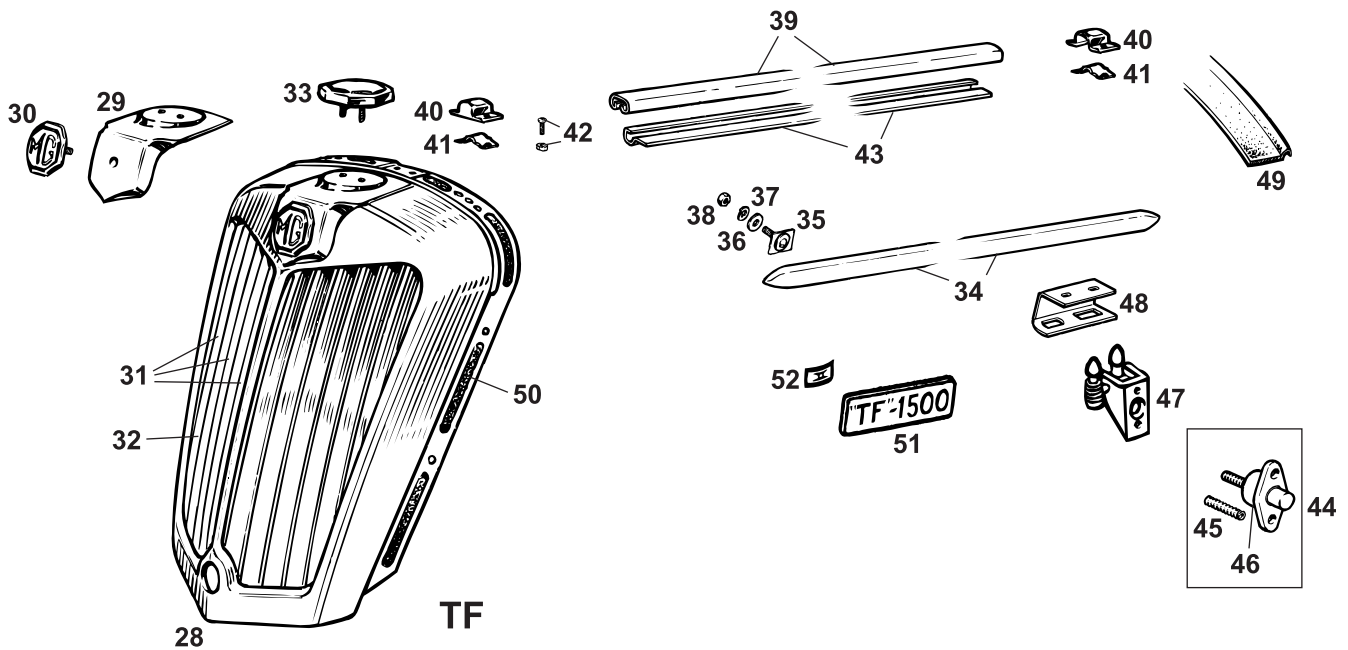
MIRRORS

WINDSCREEN





© 2009 MGOC Spares Ltd





MG TD & MG TF

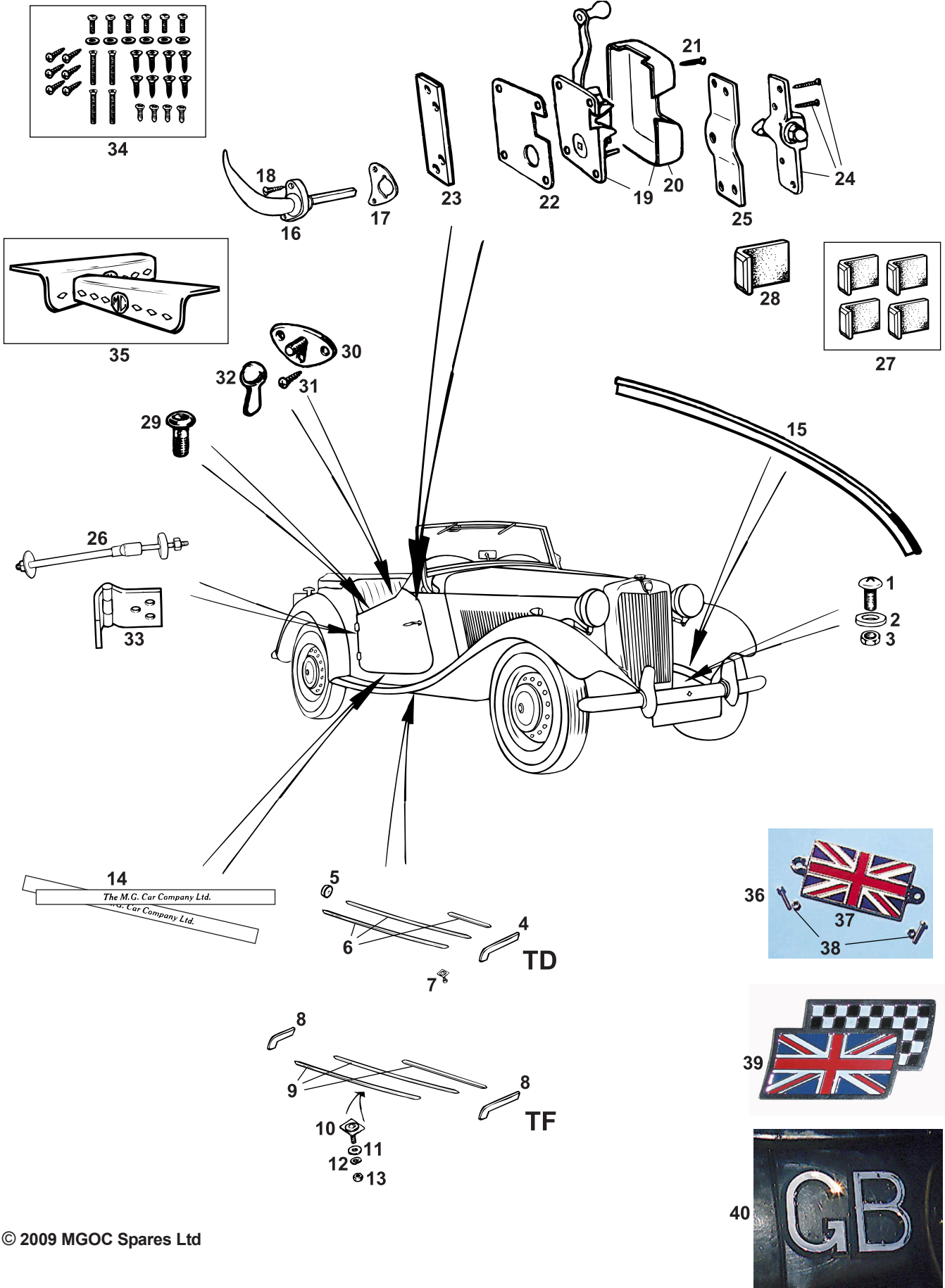


1	AAA4707	Radiator Case - Chrome	1	
2	AJJ119	False Nose - Radiator Case - Chrome	1	
3	AJJ118	Medallion - 'MG' - Brown and Cream	1	
4	AJJ142	Radiator Grille - Primed	1	
5	AJJ246	Filler Cap - Radiator - Chrome	1	
6	AJJ247	Seal - Filler Cap	1	
7	AJJ144	Bracket - Headlamp Mounting	2	
8	AAA546K	Bolt and Nut Set - Headlamp Bracket	2	
9	AJD6106Z	Bolt - Headlamp Bracket to Tie Bracket	4	
10	AAA558K	Rubber Ferrule Set - Bracket (2 ferrules)	1	
11	AAA4707S	Screw - Radiator Case to Radiator	8	
12	AJD8104Z	Nut	8	
13	N300213	Hinge Rod - Bonnet Side to Top	2	
14	AAA4636	Centre Strip - Bonnet - Chrome	1	TD
15	AAA566	Support - Hinge - Outer	2	
16	AAA567	Support - Hinge - Inner	2	
17	ARG552K	Screw and Nut - Hinge Support to Radiator	2	
18	AAA4636HP	Hinge Plate - Welded to Bonnet Top	2	
19	N082092	Handle - Bonnet - RH	2	
19	N082093	Handle - Bonnet - LH	2	
20	MG516/1	Bonnet Fastener - RH	2	
20	MG516/2	Bonnet Fastener - LH	2	
21	N081781	Bracket - Fastener - On Wing	4	
22	AAA276K	Bonnet Corner Protector/Rivet Set (4 Pairs)	1	
23	AAA568K	Buffer and Plate Set - Bonnet - 4 Pairs	1	
24	AAA568	Buffer - Bonnet	4	
25	AAA747	Rest Rubber - Bonnet - Rear (to scuttle)	1	
26	N002470	Rest Rubber - Bonnet - Front (to radiator)	1	TD. May be replaced by AAA16
27	AAA5020	Medallion - 'MARK II' - Bonnet/Rear Bumper	3	TD MkII
28	ARG502	Radiator Case - Chrome	1	
29	ARG503	False Nose - Radiator Case - Chrome	1	
30	ARH900	Medallion - 'MG' - Black and White	1	
31	ARG512K	Grille Slat Set - Chrome - 12 Slats	1	
32	ARG512	Grille Slat - Chrome	12	
33	ARG505	Filler Cap - Dummy	1	
34	AAA5034	Moulding - Bonnet Side - Chrome	2	
35	AHH6360	Stud Plate - Moulding to Bonnet Side	10	
36	GHF306	Washer - Plain	10	
37	WL700101	Washer - Spring	10	
38	GHF206	Nut	10	
39	AAA4636	Centre Strip - Bonnet - Chrome	1	
40	AAA566	Support - Hinge - Outer	2	TF
41	AAA567	Support - Hinge - Inner	2	
42	ARG552K	Screw and Nut - Hinge Support to Radiator	2	
43	AAA4636HP	Hinge Plate - Welded to Bonnet Top	2	
44	ADG657	Press Button - Bonnet Catch - Chrome	4	
45	ADG665	Spring - Press Button	4	
46	ADG658	Housing - Press Button - Chrome	4	
47	ADG649	Bonnet Fastener - RH	2	
47	ADG650	Bonnet Fastener - LH	2	
48	ADG653	Keep Plate - RH	2	
48	ADG654	Keep Plate - LH	2	
49	AAA747	Rest Rubber - Bonnet - Rear (to scuttle)	1	
50	AAA16	Rest Rubber - Bonnet - Front (to radiator)	1	
51	AHH5000	Medallion - 'TF 1500' - Bonnet Side	2	TF 1500
52	ADB509	Nut - Spire - Medallion	4	

Maintaining Chromework:

The chromium plating on all club products is top quality and complies with BS1224, the industry standard for automotive products. To protect and preserve the chromium finish it is important that you apply Solvol Autochrome (A090) - BEFORE FITTING - and reapply at regular intervals. Wiping surfaces with a soft cloth soaked in Castrol DWF will also give excellent protection against corrosion in winter.

**Telephone: 01954 230928 Fax: 01954 231923, Email: sales@mgocspares.co.uk
Buy Online at www.mgocspares.co.uk**



1	AJD1546C	Screw - Splash Apron - Chrome	6/2	}	TD qty. 6 (front and rear aprons), TF qty. 2 (rear apron only)
2	N500871	Washer - Chrome - Apron Screw	6/2		
3	AJD8105Z	Nut	6/2	}	TD
4	AAA2196	Pad - Front Wing to Running Board	2		
5	AAA41	Buffer - Rear Wing to Running Board	2	}	TD. Set includes 6 strip assemblies TD TF (cut to fit for rear wing joint) TF. Set includes 6 chrome strips
6	AAA2194K	Tread Strip Set - Running Board	1		
7	AAA741	Fastener - Tread Strip to Running Board	20	}	TF
8	AAA2196	Pad - Front/Rear Wings to Running Board	4		
9	AAA5032K	Tread Strip Set - Running Board	1	}	9 yards (8.2m)
10	AHH6360	Stud Plate - Tread Strip to Running Board	26		
11	GHF306	Washer - Plain	26	}	TF
12	WL700101	Washer - Spring	26		
13	GHF206	Nut	26	}	9 yards (8.2m)
14	AAA5157K	Threshold Plate Set - 'The MG Car Co. Ltd'	1		
15	AJJ3031A	Wing Piping Set - Black	1	}	9 yards (8.2m)
15	AJJ3031M	Wing Piping Set - Red	1		
15	AJJ3031G	Wing Piping Set - British Racing Green	1	}	9 yards (8.2m)
15	AJJ3031E	Wing Piping Set - Apple Green	1		
15	AJJ3031S	Wing Piping Set - Suede Green	1	}	9 yards (8.2m)
15	AJJ3031D	Wing Piping Set - Beige	1		
15	AJJ3031F	Wing Piping Set - Tan	1	}	9 yards (8.2m)
16	AAA5156	Door Handle - Exterior	2		
17	AAA5156G	Gasket - Door Handle	2	}	Set includes 4 screws
18	AAA5156S	Screw - Handle to Door - Chrome	4		
19	AAA5111	Door Lock Assembly - RH	1	}	Set includes 4 screws
19	AAA5110	Door Lock Assembly - LH	1		
20	7H9912	Cover - Door Lock - Chrome - RH	1	}	Set includes 4 screws
20	7H9913	Cover - Door Lock - Chrome - LH	1		
21	7H9914K	Screw Set - Door Lock Cover - Chrome	1	}	Set includes 4 screws
22	AAA5111S	Shim - Door Lock - 1/16" Thick	A/R		
23	AAA5111P	Mounting Plate - Door Lock	2	}	Set includes 4 screws
24	AAA5152	Catch Plate Assembly - With Screws	2		
25	AAA5152P	Mounting Plate - Catch Plate	2	}	Set includes 4 screws
26	AAA5158	Check Arm Assembly - Door	2		
27	AAA5106K	Door Buffer Set - 4 Buffers	1	}	Set includes 4 screws
28	AAA5106	Door Buffer	4		
29	AAA5105	Socket - Sidescreen to Door	2	}	Set includes 4 screws
30	AAA5154	Stud Plate - Sidescreen Fixing	4		
31	AD608063	Screw - Chrome - Plate to Door orBody	12	}	Set includes 4 screws
32	MB19331	Nut - Wing - Sidescreen Fixing	4		
33	AAA5148	Door Hinge - RH Upper	1	}	Set includes 4 screws
33	AAA5147	Door Hinge - LH Upper	1		
33	AAA5150	Door Hinge - RH Lower	1	}	Set includes 4 screws
33	AAA5149	Door Hinge - LH Lower	1		
34	AAA4600FK	Screw Set - Door Fittings	1	}	Includes screws for hinges, handles, locks and strikers for 2 doors Period accessory
35	K???	Chrome Armrest Set - Door Top	1		
36	K013K	Badge Kit - Union Flag and Fixings	A/R	}	Includes screws for hinges, handles, locks and strikers for 2 doors Period accessory
37	K013	Badge - Union Flag	A/R		
38	K013A	Fitting Kit - Union Flag Badge	A/R	}	Includes screws for hinges, handles, locks and strikers for 2 doors Period accessory
		5cm x 3cm enamel and chrome badge, slightly contoured for side panel fitting.			

39 K700 Badge - Chequered Flag - Self Adhesive A/R
High quality self adhesive body badge, as fitted to MG Rover models.

40 K015 GB Letter Set - Chrome - Screw Fixings . . 1
40 K016 GB Letter Set - Stainless - Self Adhesive . 1

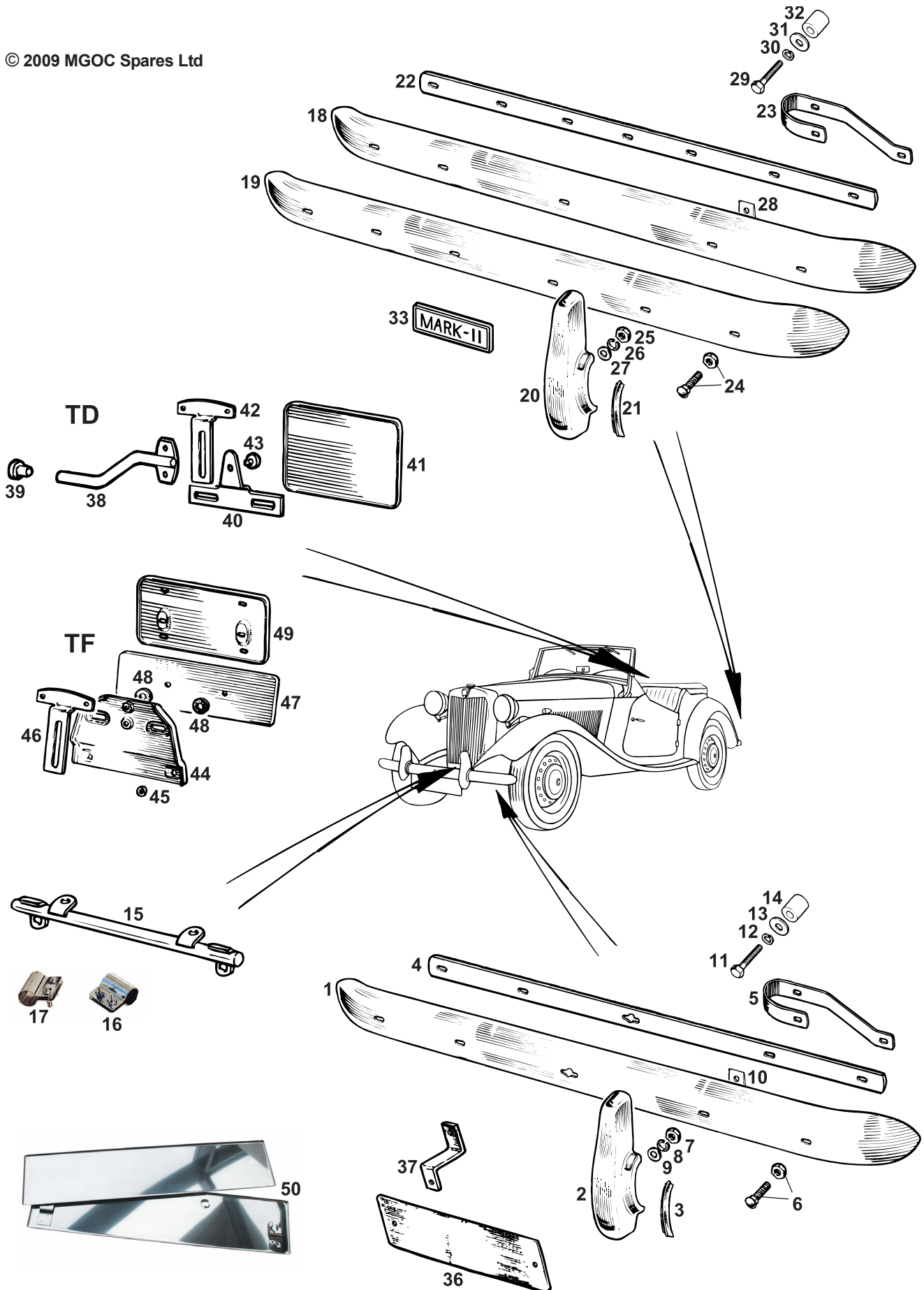
Choose between the chrome on brass letter set with hidden screw fixings and a self adhesive stainless equivalent.

Maintaining Chromework:

The chromium plating on all club products is top quality and complies with BS1224, the industry standard for automotive products. To protect and preserve the chromium finish it is important that you apply Solvol Autochrome (A090) - BEFORE FITTING - and reapply at regular intervals. Wiping surfaces with a soft cloth soaked in Castrol DWF will also give excellent protection against corrosion in winter.

**Telephone: 01954 230928 Fax: 01954 231923, Email: sales@mgocspares.co.uk
Buy Online at www.mgocspares.co.uk**

© 2009 MGOC Spares Ltd





**MG TD
&
MG TF**

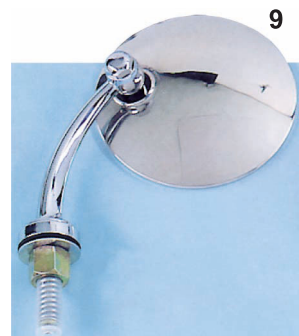
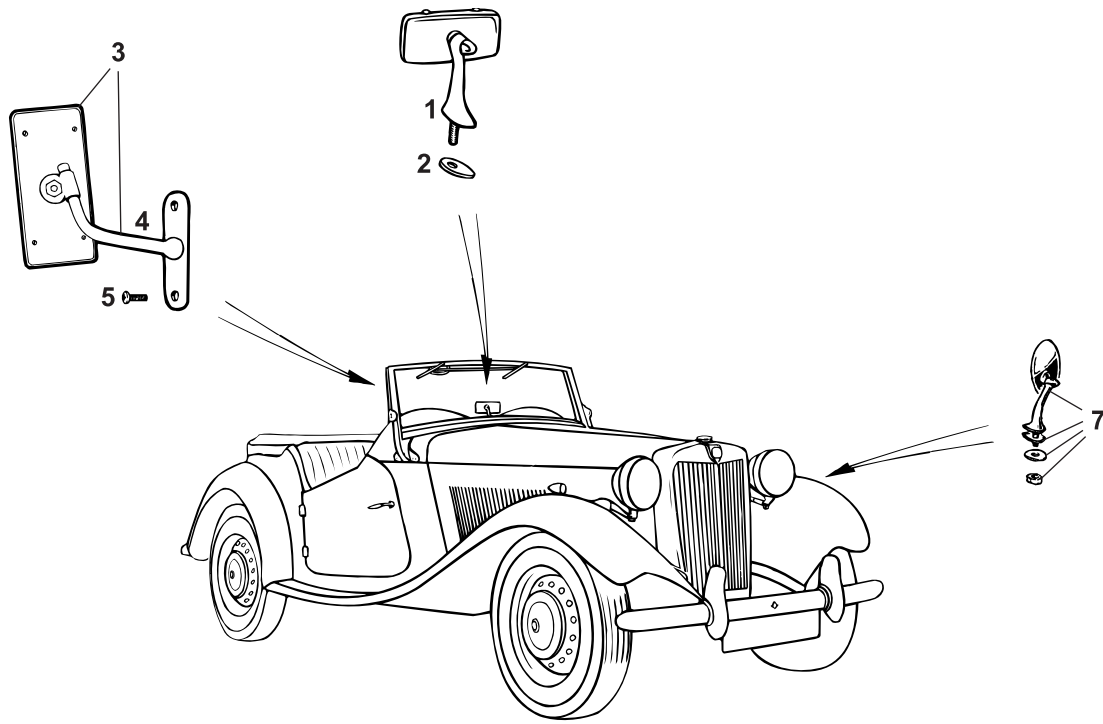


1	AAA4936	Blade - Front Bumper	1	
2	1B8784	Override - Front	2	
3	37H9871	Override Seal - Front Override	4	
4	AAA4937	Spring Bar - Front Bumper	1	
5	AAA4938	Bracket - Front Bumper	2	
6	1G9872	Bolt and Nut - Chrome - Front Bumper	2	
7	AJD8106Z	Nut - Original Front Override	2	BSF thread
7	GHF202	Nut - Replacement Front Override	2	UNF thread
8	GHF333	Washer - Spring	2	
9	PWZ206	Washer - Plain	2	
10	ACC5811	Packing Piece - Front Bumper Blade	4	
11	AJD6514Z	Bolt - Front Bumper Bracket	2	
12	GHF335	Washer - Spring	2	
13	PWZ208	Washer - Plain	2	
14	AAA2193	Distance Tube	2	
15	AAA2431	Badge Bar - Chrome	1	Original style optional extra
16	K033	Badge Bar Clip - Chrome	A/R	
17	K034	Badge Bar Clip - Stainless Steel	A/R	
18	AAA4941	Blade - Rear Bumper	1	TD
19	ACG5024	Blade - Rear Bumper	1	TF
20	1B8784	Override - Rear	2	
21	37H9871	Override Seal - Rear Override	4	
22	AAA4940	Spring Bar - Rear Bumper	1	
23	AAA4939	Bracket - Rear Bumper	2	
24	1G9872	Bolt and Nut - Chrome - Rear Bumper	3/4	Qty. increased on TF
25	AJD8106Z	Nut - Original Rear Override	2	BSF thread
25	GHF202	Nut - Replacement Rear Override	2	UNF thread
26	GHF333	Washer - Spring	2	
27	PWZ206	Washer - Plain	2	
28	ACC5811	Packing Piece - Rear Bumper Blade	5/6	Qty. increased on TF
29	AJD6520Z	Bolt - Rear Bumper Bracket	2	
30	GHF335	Washer - Spring	2	
31	PWZ208	Washer - Plain	2	
32	ACG5025	Distance Tube	2	
33	AAA5020	Medallion - 'MARK II' - Rear Bumper	1	} TD MkII
34	N500811	Plinth - Medallion (not illustrated)	1	
35	AAA2117	Sleeve Nut - Medallion (not illustrated)	2	
36	BHH1524	Support - Front Number Plate - Black	1	
37	ACG5071	Bracket - Front Number Plate Support	2	
38	N139084	Bracket - Rear Number Plate to Spare Wheel Carrier	1	TD, RHD
38	N139085	Bracket - Rear Number Plate to Spare Wheel Carrier	1	TD, LHD
39	N139089	Plug - Spare Wheel Carrier Tube	1	TD. Fit to opposite end to number plate bracket
40	N135004	Bracket - Rear Number Plate Support	1	} TD
41	N136292	Support - Rear Number Plate - Black	1	
42	AAA2179	Bracket - Rear Number Plate Lamp	1	} TF
43	AAA738	Buffer - Support Bracket	1	
44	AHH5151	Bracket - Rear Number Plate Support	1	} TF, not USA
45	AAA5053	Washer - Rubber	4	
46	AAA2179	Bracket - Rear Number Plate Lamp	1	} TF, USA
47	BHH1524	Support - Rear Number Plate - Black	1	
48	AHH5712	Washer - Fibre	2	} Corrosion resistant stainless steel alternatives
49	AHA5211	Support - Rear Number Plate - Black	1	
50	K171 on	Supports - Number Plates - Pair - Stainless	1	

Maintaining Chromework:

The chromium plating on all club products is top quality and complies with BS1224, the industry standard for automotive products. To protect and preserve the chromium finish it is important that you apply Solvol Autochrome (A090) - BEFORE FITTING - and reapply at regular intervals. Wiping surfaces with a soft cloth soaked in Castrol DWF will also give excellent protection against corrosion in winter.

Telephone: 01954 230928 Fax: 01954 231923, Email: sales@mgocspares.co.uk
Buy Online at www.mgocspares.co.uk



© 2009 MGOC Spares Ltd

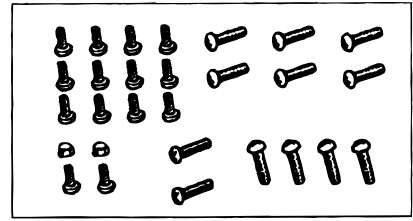
1	ADG722	Mirror - Interior - With Gasket1	
2	ADG722G	Gasket - Interior Mirror1	
3	27H5224	Mirror - Exterior (fitted with RH bracket)	A/R	} Optional; windscreen mounted
	27H5224X	Glass - Replacement - Exterior Mirror	A/R	
4	27H5224R	Bracket - Exterior Mirror - RH	A/R	
4	27H5224L	Bracket - Exterior Mirror - LH	A/R	
5	27H5224S	Screw - Exterior Mirror (2 reqd. per mirror)	A/R	
6	K073	Overtaking Mirror - Oval1	} Ideally suited to TD and TF. Mounts to windscreen frame
7	WM1904	Wing Mirror - Lucas Type - RH1	
7	WM1905	Wing Mirror - Lucas Type - LH1	} Round head with convex glass
7	WM1906	Wing Mirror - Lucas Type - RH1	
7	WM1907	Wing Mirror - Lucas Type - LH1	} Round head with flat glass
8	K062	Wing Mirror - Oval Head	A/R	
9	K063	Wing Mirror - Round Head	A/R	

Maintaining Chromework:

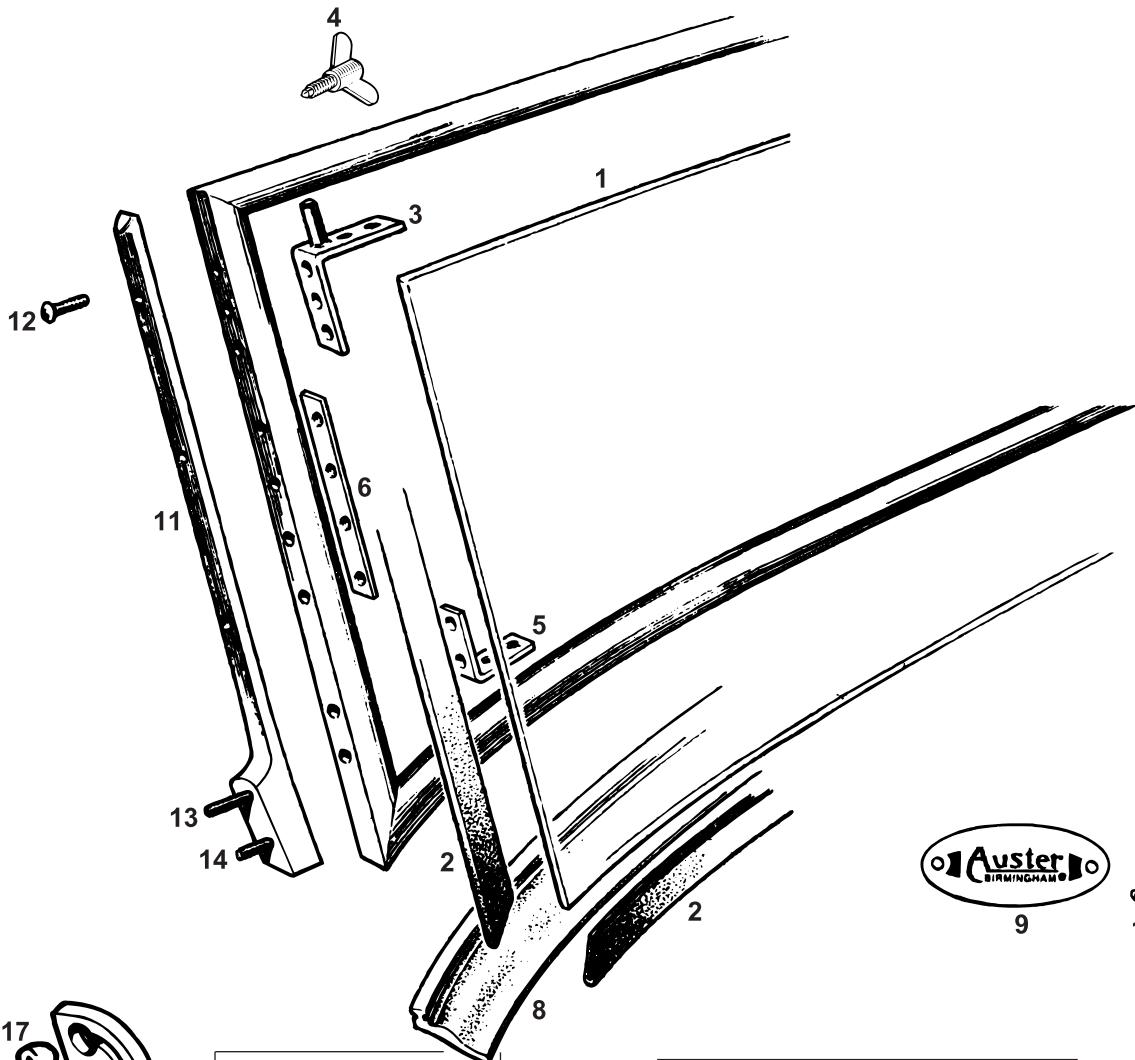
The chromium plating on all club products is top quality and complies with BS1224, the industry standard for automotive products. To protect and preserve the chromium finish it is important that you apply Solvol Autochrome (A090) - BEFORE FITTING - and reapply at regular intervals. Wiping surfaces with a soft cloth soaked in Castrol DWF will also give excellent protection against corrosion in winter.

**Telephone: 01954 230928 Fax: 01954 231923, Email: sales@mgocspares.co.uk
Buy Online at www.mgocspares.co.uk**

© 2009 MGOC Spares Ltd

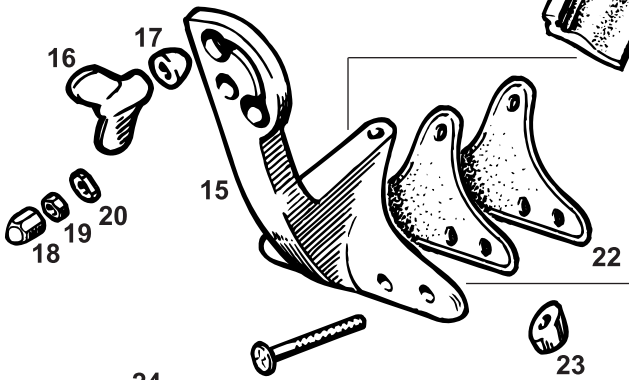


7



9

10



25

**K035
Aeroscreen**

26

**MM240-300
Sun Visor**



**MG TD
&
MG TF**



1	MB21886	Windscreen Glass - Laminated1		TD to ch. no. 22314 (side mounted wiper motor)
1	AAA4577	Windscreen Glass - Laminated1		TD from ch. no. 22315 (centre mounted wiper motor)
1	AAA4583	Windscreen Glass - Laminated1		TF
2	AFH1724	Glazing Rubber - Windscreen1		
3	AAA5164	Corner Bracket and Hood Peg - Upper RH1		
3	AAA5163	Corner Bracket and Hood Peg - Upper LH1		
4	AAA5166	Wing Bolt - Hood to Corner Bracket2		
5	MB22057	Corner Bracket - Lower2		
6	MB22069	Tapping Plate - Side2		
7	AAA4583FK	Screw Kit - Windscreen Frame1		Kit includes 26 screws
8	AAA5160	Seal - Rubber - Windscreen to Scuttle1		
9	LMG2005	Badge - Windscreen Frame - 'Auster'1		
10	FAS1	Rivet - Badge to Frame2		
11	AAA5162	Side Stanchion - With Studs - RH1		
11	AAA5161	Side Stanchion - With Studs - LH1		
12	AJD2245C	Screw - Chrome - Stanchion to Screen6		Included in windscreen frame screw kit
13	AAA5161US	Stud - Side Stanchion - Upper2		
14	AAA5161LS	Stud - Side Stanchion - Lower2		
15	AAA4586	Mounting Bracket - RH1		
15	AAA4585	Mounting Bracket - LH1		
16	AAA5133	Wing Nut2		
17	AAA5134	Washer - Cone - Wing Nut2		
18	AAA5135	Nut - Domed2		
19	MB20177	Nut - Locking Domed Nut2		
20	AAA5136	D Washer2		
21	AAA5155K	Pad Set - Bracket to Scuttle - 2 Pads1		
22	AAA5155	Pad - Bracket to Scuttle2		
23	MB22043	Distance Piece2		
24	AAA4585FK	Screw and Nut Set - Bracket to Scuttle1		Set includes 8 pairs of screws and nuts
25	K035	Aeroscreen - With Fixings A/R		

For that die hard, flies-in-your-teeth classic British sportscar experience! Faithful replica of the legendary Brooklands aeroscreen

26 MM240-300 Sun Visor - Green Tinted Plexiglass . . . A/R Practical period accessory
Fitted using chrome brackets to the windscreen frame, without drilling. Supplied individually, complete with brackets.

Maintaining Chromework:
The chromium plating on all club products is top quality and complies with BS1224, the industry standard for automotive products. To protect and preserve the chromium finish it is important that you apply Solvol Autochrome (A090) - BEFORE FITTING - and reapply at regular intervals. Wiping surfaces with a soft cloth soaked in Castrol DWF will also give excellent protection against corrosion in winter.

**Telephone: 01954 230928 Fax: 01954 231923, Email: sales@mgocspares.co.uk
Buy Online at www.mgocspares.co.uk**



INTERIOR:

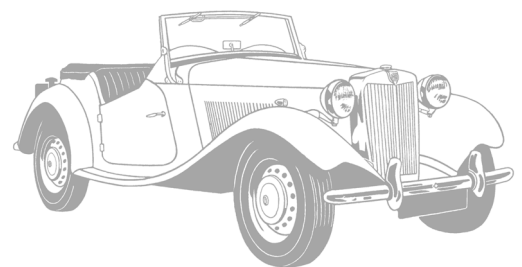
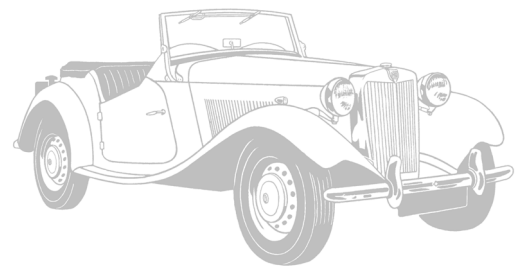
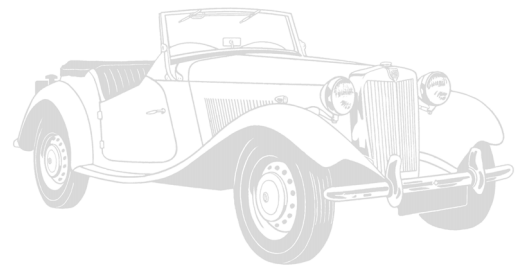
DASHBOARDS

INSTRUMENT PANELS

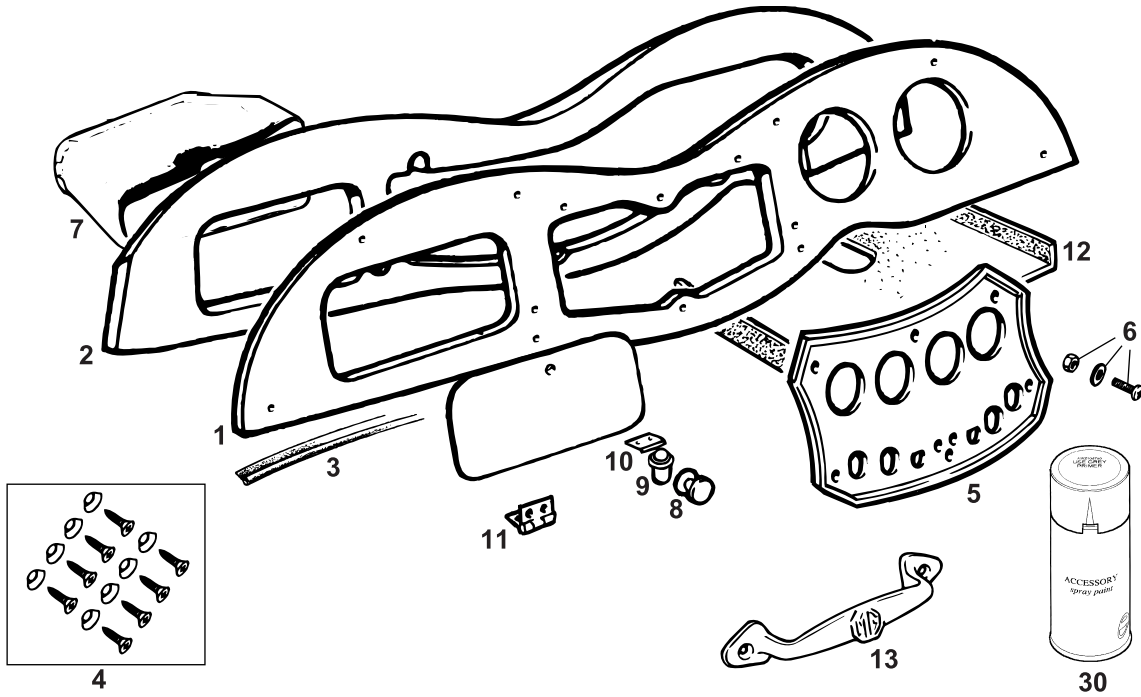
INTERIOR TRIM

SEATS & SEAT COVERS

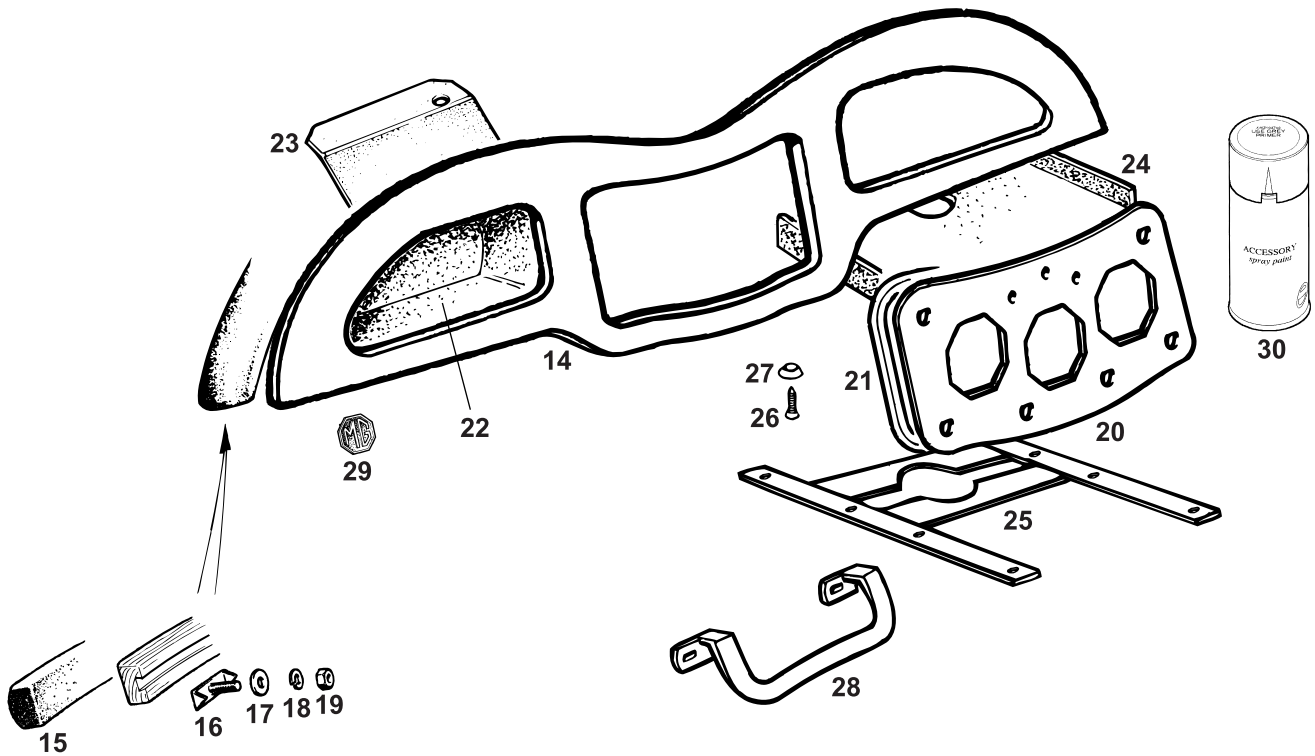
CARPET SETS



MGOC Spares & Accessories, Octagon House, Swavesey, Cambridge CB24 4QZ
Tel: 01954 230928 and 01954 231318 Email: sales@mgocspares.co.uk

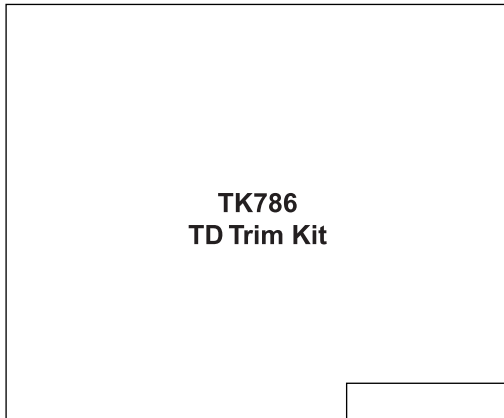


© 2009 MGOC Spares Ltd



1	N260745	Dashboard Panel - Bare Plywood	1	} TD RHD
1	N260745V	Dashboard Panel - Finished Walnut Veneer	1	
2	N260743	Backing Board - Dashboard	1	} TD LHD
1	N260746	Dashboard Panel - Bare Plywood	1	
1	N260746V	Dashboard Panel - Finished Walnut Veneer	1	} TD
2	N260744	Backing Board - Dashboard	1	
3	MB22036K	Moulding Set - Dashboard and Glovebox .	1	} TD. Kit includes 8 pairs of screws and cup washers (1 kit required)
4	N260745FK	Fitting kit - Dashboard	1	
5	N139016	Instrument Panel - Bare - Bronze	1	} TD. Kit includes one screw, washer and nut (6 kits required)
6	N139016FK	Fitting Kit - Instrument Panel	6	
7	MB21884	Glovebox	1	} TD
8	MB21996	Knob - Glovebox Lid	1	
9	MB21995	Ball Catch - Glovebox Lid	1	
10	MB22157	Stop - Glovebox Lid	1	
11	MB22124	Hinge - Glovebox Lid	2	
12	MB22392K	Under Dash Shield Kit	1	
13	N500810	Grab Handle - Passenger's - RHD	1	
13	N500809	Grab Handle - Passenger's - LHD	1	
14	ADG452	Dashboard Panel - Bare Steel	1	
14	ADG452V	Dashboard Panel - Walnut Veneer on Steel	1	
15	N250807NF	Foam - Dash Upper Crash Rail - Uncovered	1	} TF
16	AFH1900	Stud Plate - Dash Rail to Scuttle	9	
17	PWZ203	Washer - Plain - Large	9	
18	WL700101	Washer - Spring	9	
19	GHF206	Nut	9	
20	ACG5110	Instrument Panel - Bare - Unpainted	1	
21	ADG721	Beading - Chrome - Instrument Panel	1	
22	N271594	Glovebox - RH	1	
22	N271593	Glovebox - LH	1	
23	N250798	Glovebox Top - RH	1	
23	N250797	Glovebox Top - LH	1	
24	ADG789B	Board - Under Dash Shield	1	
25	ADG789H	Support Frame - Under Dash Shield	1	
26	AJD2245C	Screw - Chrome - Under Dash Shield	8	
27	ADG790	Washer - Cup - Under Dash Shield	8	
28	ADG787	Grab Handle - Passenger's - RHD	1	
28	ADG788	Grab Handle - Passenger's - LHD	1	
29	ADG739	Medallion - Dashboard - 'MG'	1	
30	A0???	Bronze Paint - Instrument Panel - Aerosol .	1	

**Telephone: 01954 230928 Fax: 01954 231923, Email: sales@mgocspares.co.uk
Buy Online at www.mgocspares.co.uk**



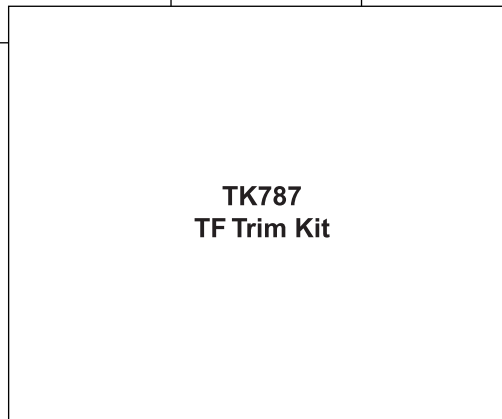
**TK786
TD Trim Kit**

1



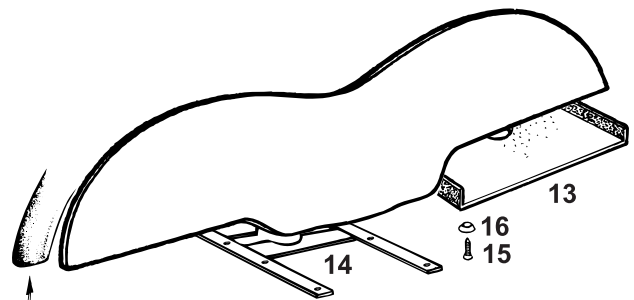
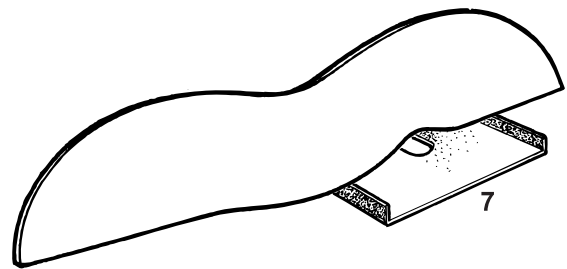
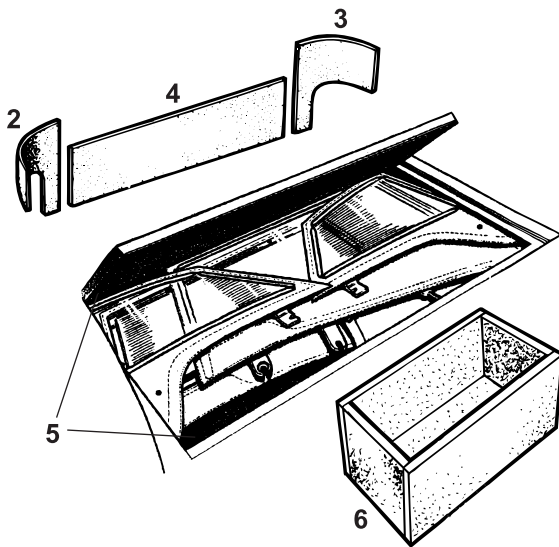
**TK786
TD Trim Kit**

1



**TK787
TF Trim Kit**

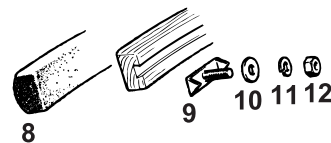
1



17



18



8

9

10

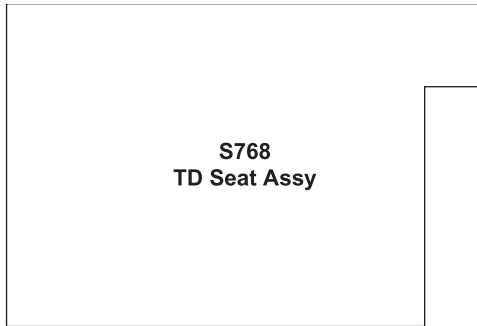
11

12

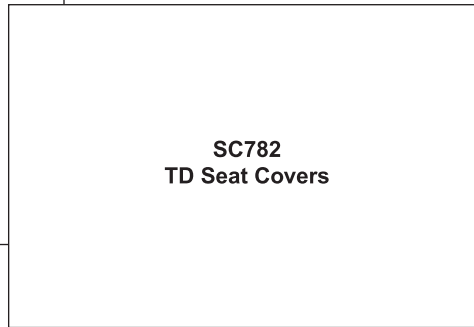
Interior trim kits include door panels (in vinyl with leather pocket edging, as original), footwell side panels, rear quarter panels, under-door fillets, leather door piping, wheel arch covers, sidescreen box lid strap, plus extra piping and vinyl for the sidescreen box, cockpit rear and dash, as appropriate. In addition, the vinyl may be purchased separately - please contact MGOC Spares for details.

1	TK786X	Interior Trim Kit - Beige	1	} TD
1	TK786E	Interior Trim Kit - Apple Green	1	
1	TK786F	Interior Trim Kit - Tan	1	
1	TK786M	Interior Trim Kit - Red	1	
1	TK786A	Interior Trim Kit - Black	1	} TF
1	TK787X	Interior Trim Kit - Beige	1	
1	TK787G	Interior Trim Kit - Apple Green	1	
1	TK787F	Interior Trim Kit - Tan	1	
1	TK787M	Interior Trim Kit - Red	1	} TF
1	TK787S	Interior Trim Kit - Suede Green	1	
1	TK787A	Interior Trim Kit - Black	1	
2	N250806	Rear Cockpit Corner Panel - RH	1	} TF
3	N250805	Rear Cockpit Corner Panel - LH	1	
4	N250808	Starting Handle Cover	1	
5	MB22209F	Felt - Sidescreen Compartment - Black	1	} TD
6	N136199F	Felt - Tool Box - Off White	1	
7	MB22392K	Under Dash Shield Kit	1	} TF
8	N250807NF	Foam - Upper Crash Rail - Uncovered	1	
9	AFH1900	Stud Plate - Crash Rail to Scuttle	9	
10	PWZ203	Washer - Plain - Large	9	
11	WL700101	Washer - Spring	9	
12	GHF206	Nut	9	
13	ADG789B	Board - Under Dash Shield	1	
14	ADG789H	Support Frame - Under Dash Shield	1	
15	AJD2245C	Screw - Chrome - Under Dash Shield	8	
16	ADG790	Washer - Cup - Under Dash Shield	8	
17	N035	Upholstery Adhesive - 500ml Tin	A/R	
18	N036	Upholstery Adhesive - 400ml Aerosol	A/R	

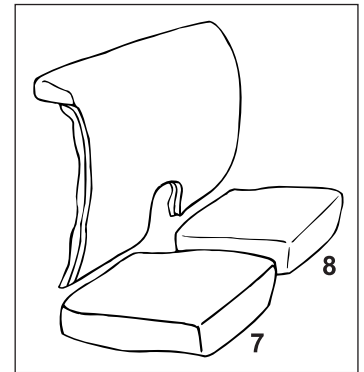
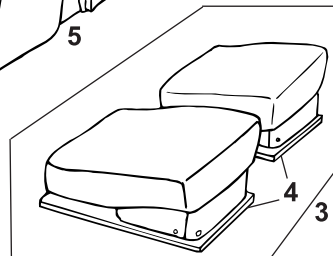
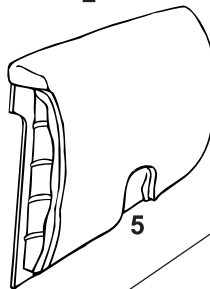
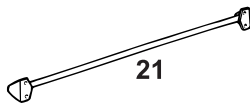
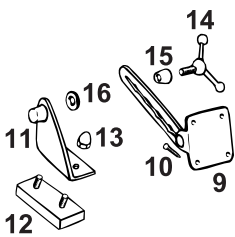
**Telephone: 01954 230928 Fax: 01954 231923, Email: sales@mgocspares.co.uk
Buy Online at www.mgocspares.co.uk**



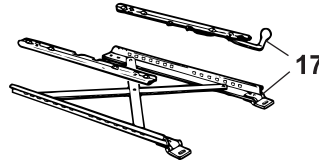
1



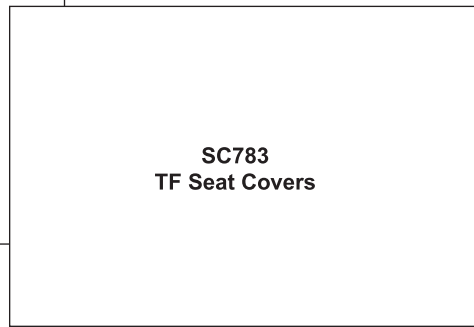
2



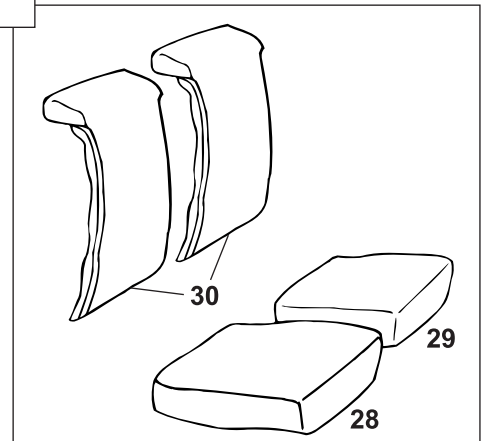
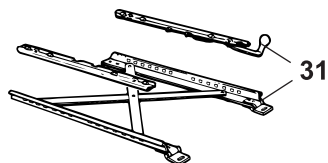
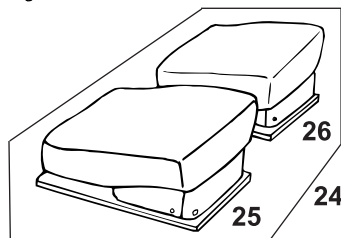
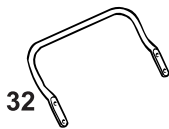
6



22



23



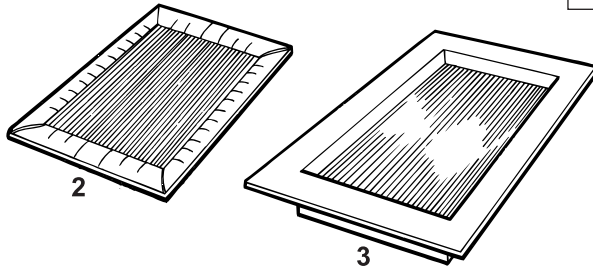
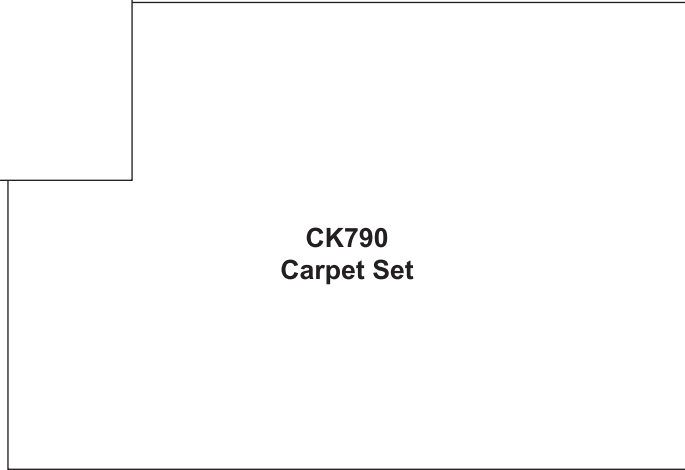
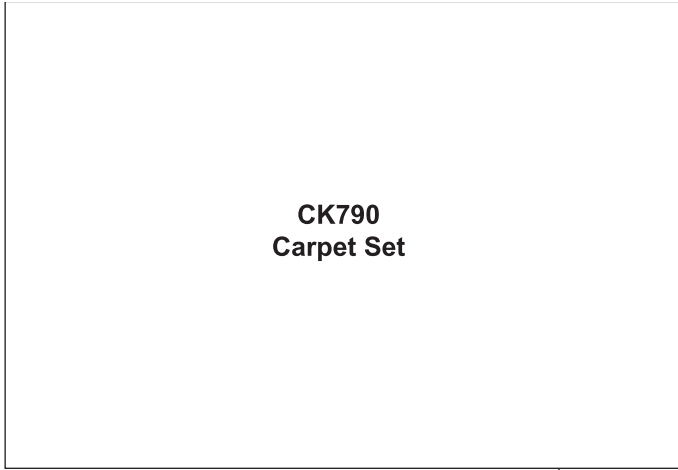
27

Brand new seat assemblies, beautifully upholstered to original specifications, make a great and cost-effective alternative to giving your old seats to an automotive trimmer for rebuilding. On the other hand, everything you need to rebuild or repair your own seats is available in a choice of states of build to suit your circumstances. All seat covers are leather-faced with matching vinyl used elsewhere, as original.

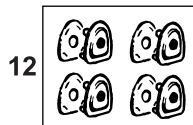
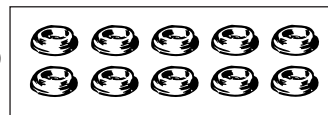
1	S768A	New Seat Ass'ys - Car Set - Black	1	}	TD
1	S768D	New Seat Ass'ys - Car Set - Beige	1		
1	S768E	New Seat Ass'ys - Car Set - Apple Green	1		
1	S768F	New Seat Ass'ys - Car Set - Tan/Cinnamon	1		
1	S768M	New Seat Ass'ys - Car Set - Red	1		
2	SC782A	Seat Cover Kit - Car Set - Black	1		
2	SC782D	Seat Cover Kit - Car Set - Beige	1		
2	SC782E	Seat Cover Kit - Car Set - Apple Green	1		
2	SC782F	Seat Cover Kit - Car Set - Tan/Cinnamon	1		
2	SC782M	Seat Cover Kit - Car Set - Red	1		
3	S0770	Wooden Seat Bases - Pair - With Foams	1		
4	S0774	Wooden Seat Bases - Pair - Without Foams	1		
5	S770	Wooden Seat Squab - With Padding	1		
6	S773	Squab Padding/Base Foam Kit - Car Set	1		
7	SF701	Foam - Seat Base - RH	1		
8	SF700	Foam - Seat Base - LH	1		
9	N020160	Bracket - Seat Adjustment - Seat Back	2		
10	AJD2246C	Screw - Seat Back Bracket - Chrome	8		
11	MB21957	Bracket - Seat Adjustment - Wheel Arch	2		
12	MB21957X	Plate - Wheel Arch Bracket Retaining	2		
13	MB22520	Nut - Domed - Wheel Arch Bracket	4		
14	AAA39	Wing Bolt - Seat Adjusting	2		
15	AAA5134	Washer - Cone - Wing Nut (if fitted)	2		
16	MB15831	Washer - Fibre - Wing Bolt	2		
17	MB22211K	Seat Slide Set - RH and LH Seats	1		
18	N139515	Clip - Starting Handle Stowage	3		
19	N019354	Hinge - Seat Back to Cushion	2		
20	MB20856	Sleeve - Hinge	2		
21	MB21993	Tonneau Cover Rail - Top of Seat Back	1		
22	S769A	New Seat Ass'ys - Car Set - Black	1	}	TF
22	S769D	New Seat Ass'ys - Car Set - Beige	1		
22	S769F	New Seat Ass'ys - Car Set - Tan	1		
22	S769G	New Seat Ass'ys - Car Set - Racing Green	1		
22	S769M	New Seat Ass'ys - Car Set - Red	1		
22	S769S	New Seat Ass'ys - Car Set - Suede Green	1		
22	S776A	Recon Seat Ass'ys - Car Set - Black	1	}	TF. Customer's own seats reupholstered
22	S776G	Recon Seat Ass'ys - Car Set - Racing Green	1		
22	S776M	Recon Seat Ass'ys - Car Set - Red	1	}	TF
23	SC783A	Seat Cover Kit - Car Set - Black	1		
23	SC783D	Seat Cover Kit - Car Set - Beige	1		
23	SC783F	Seat Cover Kit - Car Set - Tan	1		
23	SC783G	Seat Cover Kit - Car Set - Racing Green	1		
23	SC783M	Seat Cover Kit - Car Set - Red	1		
23	SC783S	Seat Cover Kit - Car Set - Suede Green	1		
23	SC783Z	Seat Cover Kit - Car Set - Biscuit	1		
24	S0771	Wooden Seat Bases - Pair - With Foams	1		
25	S0775RH	Wooden Seat Base - RH - With Foam	1		
26	S0775LH	Wooden Seat Base - LH - With Foam	1		
27	S772	Squab Padding/Base Foam Kit - Car Set	1		
28	SF701	Foam - Seat Base - RH	1		
29	SF700	Foam - Seat Base - LH	1		
30	SF703	Squab Padding Kit - Pair	1		
31	N271599K	Seat Slide Set - RH and LH Seats	1		
32	N271473	Rail - Tonneau Cover	2		

**Telephone: 01954 230928 Fax: 01954 231923, Email: sales@mgocspares.co.uk
Buy Online at www.mgocspares.co.uk**

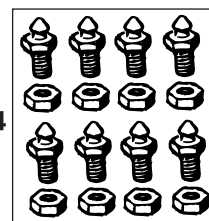
© 2009 MGOC Spares Ltd



9



14



Our superior quality carpet sets are available in a wider choice of colours than originally specified by MG, enabling a plush, custom interior to be created if desired (black was the only colour fitted by MG). Each set includes a leather gearlever gaiter and rubber footwell mat, with bound edges where originally featured.

As a bonus, TD sets include rear deck carpet - an area not originally covered in this model. Note that left hand drive sets do not include the driver's side footwell as found on later LHD TDs and TFs - this should be purchased separately.

1	CK790A	Carpet Set - Black	1	} RHD
1	CK790G	Carpet Set - Green	1	
1	CK790M	Carpet Set - Red	1	} LHD
1	CK791A	Carpet Set - Black	1	
1	CK791G	Carpet Set - Green	1	} TD RHD, TF RHD; TD LHD to ch. no. 4236 TD LHD from ch. no. 4237, TF LHD
1	CK791M	Carpet Set - Red	1	
2	ADA3779	Heel Mat - Driver's Side Floor	1	
3	N270649	Footwell - Driver's Side Floor	1	
4	N035	Upholstery Adhesive - 500ml Tin	A/R	
5	N036	Upholstery Adhesive - 400ml Aerosol	A/R	
6	N037	Carpet Clip Set (12 rings and sockets)	1	} Fixings to floorboards
7	14G8736	Spiked Ring	8	
8	2H8445	Socket	8	
9	Y003	Durable Dot Set - Male (set of 10)	1	
10	ADB4811	Durable Dot - Male	8	} Fixings to bulkhead
11	AC606051	Screw - Durable Dot to Floorboard	8	
12	Y009	Socket Ass'ys - 'Lift The Dot' (set of 4)	1	
13	LFS100S	Socket Assembly - 'Lift The Dot'	4	
14	Y007	Studs - 'Lift The Dot' (set of 8, with nuts)	1	
15	Y007A	Stud - 'Lift The Dot' - With 2BA Nut	4	

Telephone: 01954 230928 Fax: 01954 231923, Email: sales@mgocspares.co.uk
Buy Online at www.mgocspares.co.uk



WEATHER EQUIPMENT:

HOODS & HOOD FRAMES

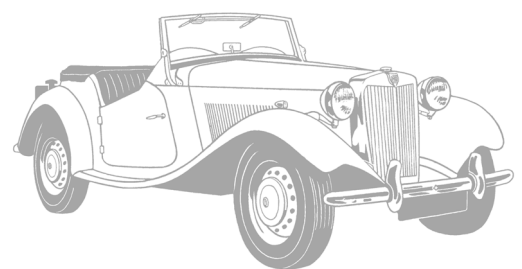
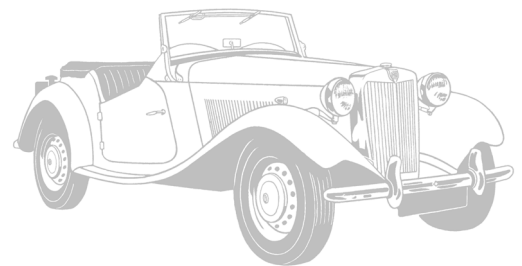
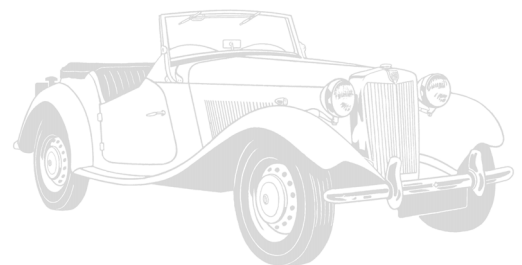
TONNEAU COVERS

HOOD CARE

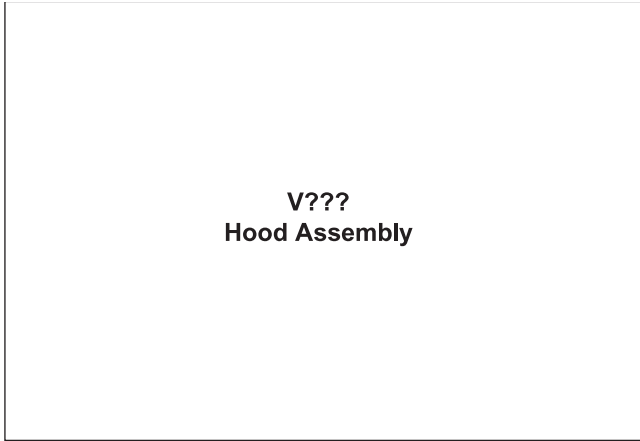
SIDE SCREENS

CAR COVERS

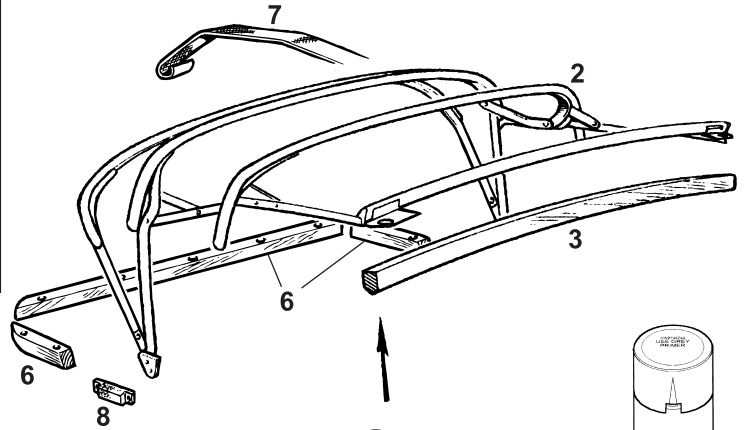
BODY SEALING



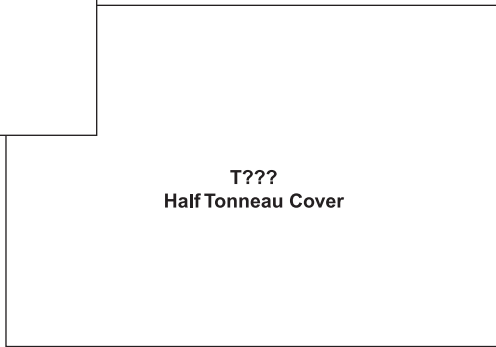
MGOC Spares & Accessories, Octagon House, Swavesey, Cambridge CB24 4QZ
Tel: 01954 230928 and 01954 231318 Email: sales@mgocspares.co.uk



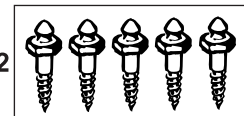
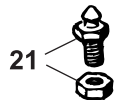
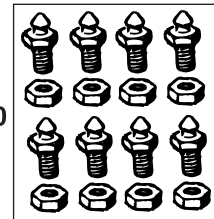
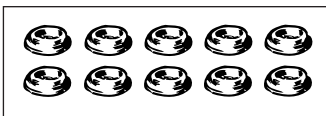
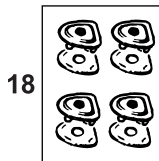
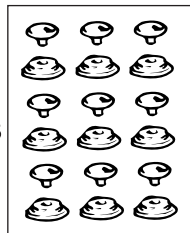
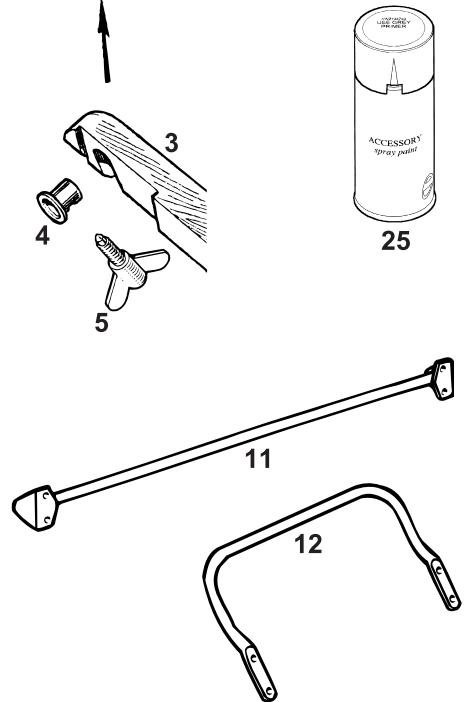
1



9



10



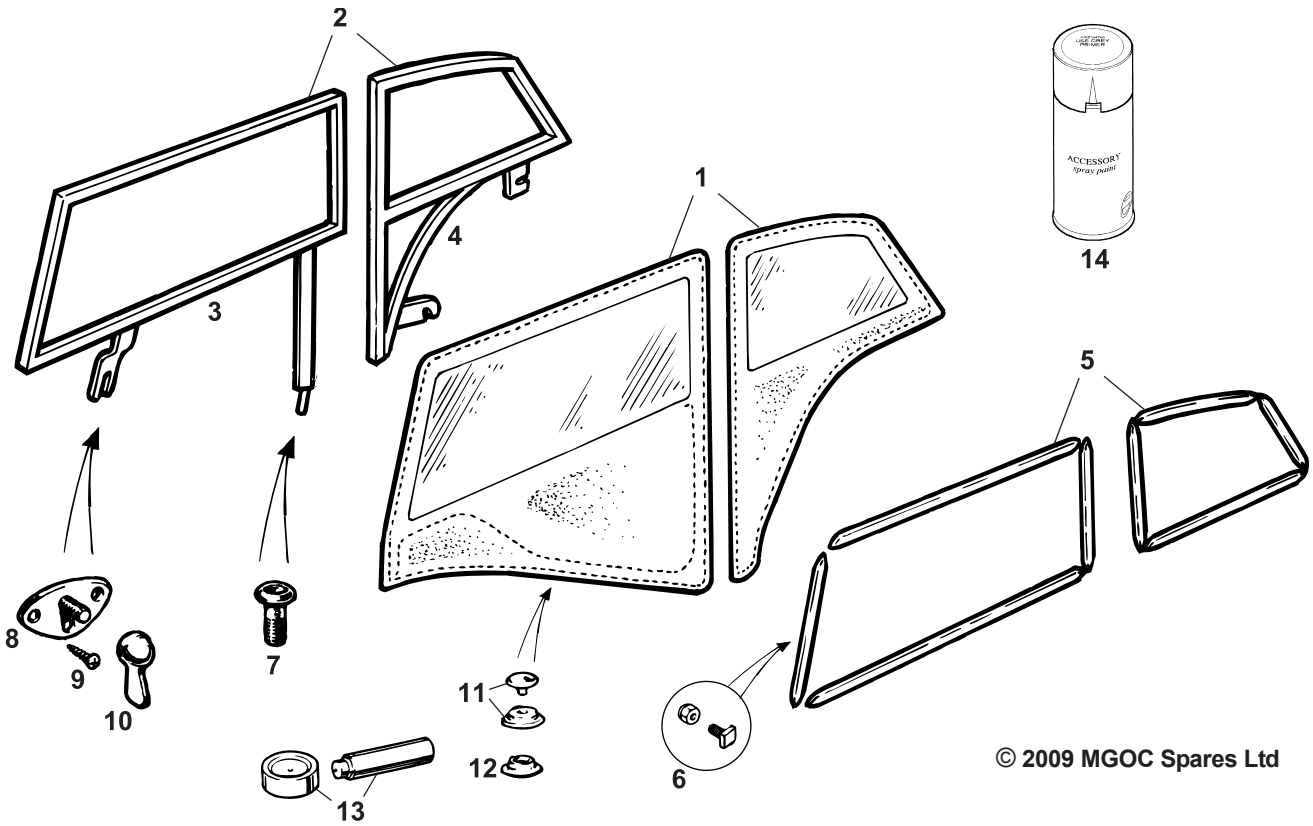
MGOC Spares offer a range of superior quality hoods and tonneau covers, accurately made to original specifications in original top specification canvas ('Double Duck') or alternative heavy duty vinyl, and in a choice of the original standard tan colour or the factory optional black. Hoods and tonneau covers may be fitted by the more experienced customer or purchased for fitment by a local trimmer; alternatively MGOC's own workshop offers a hood fitting service - please contact us for details.

1	V????XX	Hood - Double Duck - Tan	1	} TD to ch. no. 20695 (RHD) and 20373 (LHD). For 2 bow hood frame
1	V????AA	Hood - Double Duck - Black	1	
1	V????XX	Hood - Heavy Duty Vinyl - Tan	1	} TD from ch. no. 20696 (RHD) and 20374 (LHD). For 3 bow hood frame
1	V????AA	Hood - Heavy Duty Vinyl - Black	1	
1	V????XX	Hood - Double Duck - Tan	1	} TF (3 bow hood frame)
1	V????AA	Hood - Double Duck - Black	1	
1	V????XX	Hood - Heavy Duty Vinyl - Tan	1	
1	V????AA	Hood - Heavy Duty Vinyl - Black	1	} TD to ch. no. 20695 (RHD) and 20373 (LHD)
2	MB22423	Hood Frame Assembly - 2 Bow Type	1	
2	N271218	Hood Frame Assembly - 3 Bow Type	1	} TD from ch. no. 20696 (RHD) and 20374 (LHD)
2	AAA4588	Hood Frame Assembly - 3 Bow Type	1	
3	AAA5185	Header Rail - Front - Wood	1	} TF
4	AFH2635	Socket - Header Rail	2	
5	AAA5166	Wing Bolt - Hood to Windscreen	2	} TD. Secures rear edge of hood
6	V????TFK	Top Finisher Kit - Rear Cockpit - 3 Pieces	1	
6	V????TFK	Top Finisher Kit - Rear Cockpit - 3 Pieces	1	} TF. Secures rear edge of hood
7	V????WX	Webbing - Hood Frame Set - Tan	1	
7	V????WA	Webbing - Hood Frame Set - Black	1	} TD
8	MB20216K	Buffer Set - Sidescreen to Hood - 2 Buffers	1	
9	T????XX	Full Tonneau Cover - Double Duck - Tan	1	} TF
9	T????AA	Full Tonneau Cover - Double Duck - Black	1	
9	T????XX	Full Tonneau Cover - Heavy Duty Vinyl - Tan	1	} TD
9	T????AA	Full Tonneau Cover - Heavy Duty Vinyl - Black	1	
9	T????XX	Full Tonneau Cover - Double Duck - Tan	1	} TF
9	T????AA	Full Tonneau Cover - Double Duck - Black	1	
9	T????XX	Full Tonneau Cover - Heavy Duty Vinyl - Tan	1	} TD
9	T????AA	Full Tonneau Cover - Heavy Duty Vinyl - Black	1	
10	T????XX	Half Tonneau Cover - Double Duck - Tan	1	} TF
10	T????AA	Half Tonneau Cover - Double Duck - Black	1	
10	T????XX	Half Tonneau Cover - Heavy Duty Vinyl - Tan	1	} TD
10	T????AA	Half Tonneau Cover - Heavy Duty Vinyl - Black	1	
10	T????XX	Half Tonneau Cover - Double Duck - Tan	1	} TF
10	T????AA	Half Tonneau Cover - Double Duck - Black	1	
10	T????XX	Half Tonneau Cover - Heavy Duty Vinyl - Tan	1	} TD
10	T????AA	Half Tonneau Cover - Heavy Duty Vinyl - Black	1	
11	MB21993	Rail - Tonneau Cover	1	} TF
12	N271473	Rail - Tonneau Cover	2	
13	Y002	Durable Dot Set - Female - 9 Pairs	A/R	} Machine screw threaded
14	7H9866S	Durable Dot - Female - 1 Pair	A/R	
15	Y003	Durable Dot Set - Male - 10 pieces	A/R	} Self tapping
16	ADB4811	Durable Dot - Male	A/R	
17	Y001	Durable Dot Fixing Tool	1	} Self tapping
18	Y009	Socket Ass'ys - 'Lift The Dot' - Set of 4	A/R	
19	LFS100S	Socket Assembly - 'Lift The Dot'	A/R	} Machine screw threaded
20	Y007	Studs - 'Lift The Dot' - Set of 8 With Nuts	A/R	
21	Y007A	Stud - 'Lift The Dot' - With 2BA Nut	A/R	} Self tapping
22	Y005	Studs - 'Lift The Dot' - Set of 5	A/R	
23	552670	Stud - 'Lift The Dot'	A/R	} Self tapping
24	2K4936	Washer - Leather	A/R	
25	A0??	Tan Paint - Hood Frame - Aerosol	A/R	

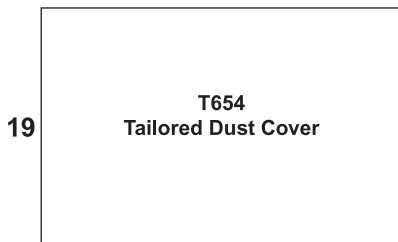
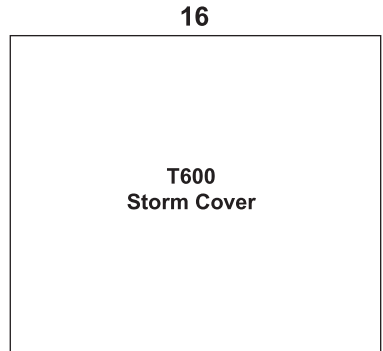
Keep your hood and tonneau cover like new with a hood care kit, comprising ultraproofer, shampoo, cleaner, colour reviver, protector and window polish.

26	A100A	Hood Care Kit - Renovo - Black	1	
27	A104	Vinyl Ultraproof Protector - Renovo	A/R	500ml
28	A103	Vinyl Cleaner - Renovo	A/R	500ml
29	A109	Fabric Shampoo - Renovo	A/R	500ml
30	A110	Fabric Colour Reviver - Renovo - Black	A/R	1 litre
31	A116	Hood Window Polish - Renovo	A/R	50ml
32	A115	Hood Window Polish - Renovo	A/R	100ml
33	A105	Fabric Ultraproof Protector - Renovo	A/R	1 litre
34	A102	Hood Waterproof - Clear Silicone	A/R	Not included in hood care kits

**Telephone: 01954 230928 Fax: 01954 231923, Email: sales@mgocspares.co.uk
Buy Online at www.mgocspares.co.uk**



© 2009 MGOC Spares Ltd



Sidescreen covers are manufactured to the highest quality in a choice of 'Double Duck' canvas or heavy duty vinyl, in Tan or Black, to match the hood fitted to your car. New sidescreen frames are also available, enabling entirely new sidescreen assemblies to be built up from scratch. Care should be taken to trial fit new sidescreen frames on the car (every car is slightly different...) before trimming them.

1	V????X	Sidescreen Cover Kit - Duck - Tan 1	} TD to ch. no. 20695 (RHD) and 20373 (LHD). 2 bow hood frame type	
1	V????A	Sidescreen Cover Kit - Duck - Black 1		
1	V????X	Sidescreen Cover Kit - H/D Vinyl - Tan 1		
1	V????A	Sidescreen Cover Kit - H/D Vinyl - Black 1		
2	MB22486K	Sidescreen Frame Kit - Car Set of 4 1		
3	MB22486	Frame - Sidescreen - Front RH 1		
3	MB22485	Frame - Sidescreen - Front LH 1		
4	MB22488	Frame - Sidescreen - Rear RH 1		
4	MB22487	Frame - Sidescreen - Rear LH 1		
5	AAA5167K	Strip Kit - Sidescreens - Car Set of 16 1		
1	V????X	Sidescreen Cover Kit - Duck - Tan 1		
1	V????A	Sidescreen Cover Kit - Duck - Black 1		
1	V????X	Sidescreen Cover Kit - H/D Vinyl - Tan 1		
1	V????A	Sidescreen Cover Kit - H/D Vinyl - Black 1		
2	N271242K	Sidescreen Frame Kit - Car Set of 4 1		} TD from ch. no. 20696 (RHD) and 20374 (LHD). 3 bow hood frame type
3	N271242	Frame - Sidescreen - Front RH 1		
3	N271241	Frame - Sidescreen - Front LH 1		
4	N271244	Frame - Sidescreen - Rear RH 1		
4	N271243	Frame - Sidescreen - Rear LH 1		
5	AAA4573K	Strip Kit - Sidescreens - Car Set of 16 1		
1	V????X	Sidescreen Cover Kit - Duck - Tan 1		
1	V????A	Sidescreen Cover Kit - Duck - Black 1		
1	V????X	Sidescreen Cover Kit - H/D Vinyl - Tan 1		
1	V????A	Sidescreen Cover Kit - H/D Vinyl - Black 1		
2	N271528K	Sidescreen Frame Kit - Car Set of 4 1	} TF. 3 bow hood frame type	
3	N271528	Frame - Sidescreen - Front RH 1		
3	N271527	Frame - Sidescreen - Front LH 1		
4	N271542	Frame - Sidescreen - Rear RH 1		
4	N271541	Frame - Sidescreen - Rear LH 1		
5	AAA4594K	Strip Kit - Sidescreens - Car Set of 16 1		
6	AAA5171K	Screw and Nut Kit - Sidescreen Strips 1		
7	AAA5105	Socket - Sidescreen to Door 2		
8	AAA5154	Stud Plate - Sidescreen Fixing 4		
9	AD608063	Screw - Chrome - Plate to Door and Body 12		
10	MB19331	Nut - Wing - Sidescreen Fixing 4		
11	7H9866S	Durable Dot - Female - 1 Pair A/R		
12	ADB4811	Durable Dot - Male A/R		
13	Y001	Durable Dot Fixing Tool 1		
14	A0???	Tan Paint - Sidescreen Frames - Aerosol A/R		
15	T710 on	Carcoon Storage System 1	Car set	

The Carcoon storage system offers ultimate protection through constant air circulation, up to three complete changes per hour, around and through your MG. It eliminates condensation, keeps your MG aired and dry, is cheap to run and quick and simple to use. A variety of sizes and types are available in a range of Carcoon products that also includes replacement filters with which to service your storage system. Please contact MGOC Spares for details.

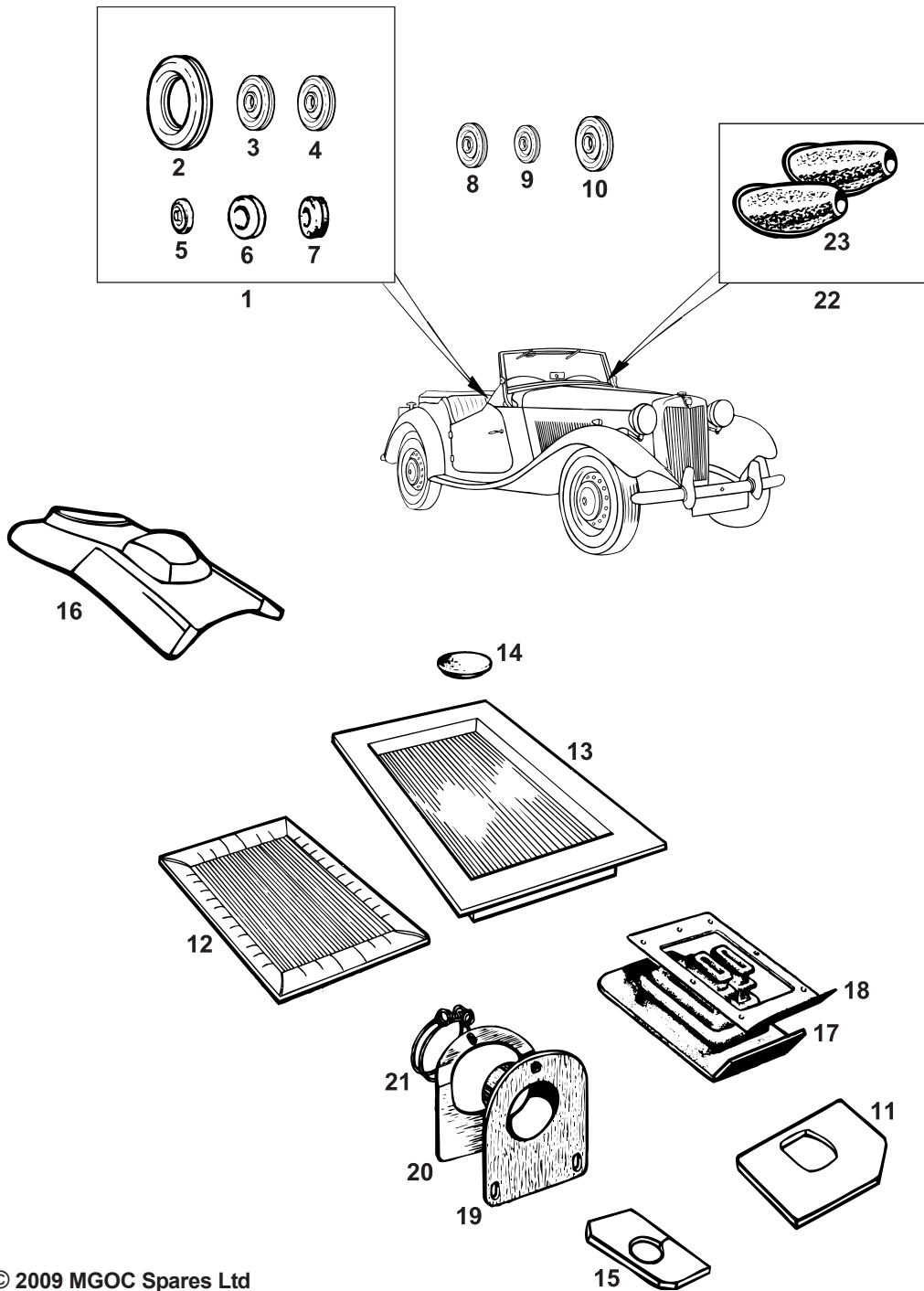
16 T600 Storm Cockpit Cover 1
Far more effective than the traditional tonneau cover, the storm cockpit cover fits in seconds and provides complete waterproofing of the entire cockpit area. Tailored specifically for MG T Types, the cover folds up neatly into its own 18" x 12" storage bag.

17 T627 Tailored Allweather Cover 1
T620C Cable and Lock Set - Tailored Cover 1
Designed for both indoor and outdoor use, the tailored allweather cover provides protection for your T Type in all weather conditions while the Technolon fabric allows the bodywork to breathe. It shields the exterior and interior of the car from damage from dirt, dust, tree droppings, salt air and even industrial pollution and acid rain. It also allows any moisture under the cover to evaporate and helps to keep your car looking 'showroom new'. A cable and lock set to keep all secure is also available.

18 T641 Universal Allweather Cover 1
The universal allweather cover, manufactured from the same material as the tailored item above, affords the same degree of protection for cars other than your MG. It is suitable for cars up to 211" combined length and width (the approximate overall length is 13 feet).

19 T654 Tailored Dust Cover 1
A lightweight indoor dust cover with an elasticated hem, fully tailored to follow the bodywork contours of your MG T Type. The lightweight cotton allows air circulation and prevents dust build-up.

20 T659 Universal Dust Cover 1
Keeping your MG in pristine condition when laid up over the winter is made easy when you have a suitable cover with which to protect it. The universal cover is economically priced, excellent value and fits all MG sportscar models.



© 2009 MGOC Spares Ltd

1 GKS1501X Grommet Set - Bulkhead - 6 Grommets . . . 1
Includes grommets for main loom, rev counter and speedometer cables, oil gauge pipe, choke and starter cables.

2	RFN118	Grommet - Main Loom in Bulkhead 1	}	Included in grommet set
3	N134995	Grommet - Rev Counter Cable 1		
4	AAA703	Grommet - Speedometer Cable 1		
5	AAA643	Grommet - Oil Gauge Pipe in Bulkhead . . . 1		
6	ACG5138	Grommet - Choke Cable in Bulkhead 1		
7	AAA740	Grommet - Starter Cable in Bulkhead 1		
8	600395	Grommet - Temperature Gauge Pipe 1		
9	N091213	Grommet - Wiper Motor Extension Loom . . 1		TD
10	C5574A	Grommet - Wiper Motor Rack 1		TF
11	AAA2207	Pad - Rubber - Floorboard to Pedal Box . . 1		
12	ADA3779	Heel Mat - Driver's Side Floor 1		TD RHD, TF RHD; TD LHD to ch. no. 4236
13	N270649	Footwell - Driver's Side Floor 1	}	TD LHD from ch. no. 4237, TF LHD
14	ACA5300	Plug - Master Cylinder Inspection 1		
15	N127057	Pad - Rubber - Floor to Roll Bar 2		
16	N136711	Sealing Cover - Gearbox Remote Control . . 1		
17	AAA588	Fume Excluder - Pedals - Rubber 1		
18	AAA589	Retainer - Fume Excluder 1		
19	AAA2213	Fume Excluder - Steering Column - Leather 1		
20	N136676	Plate - Fume Excluder 1		
21	HCS913	Clip - Supergrip - Fume Excluder 1		
22	AAA5060K	Bush Set - Rubber - Wheelbox Sealing . . . 1	}	TF
23	AAA5060	Bush - Rubber - Wheelbox Sealing 2		

**Telephone: 01954 230928 Fax: 01954 231923, Email: sales@mgocspares.co.uk
Buy Online at www.mgocspares.co.uk**



ACCESSORIES:

TOURING ACCESSORIES

IDENTIFICATION PLATES

PAINTS & UNDERSEALS

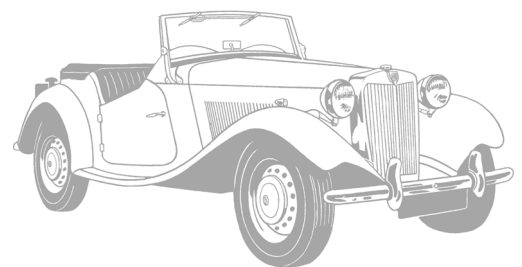
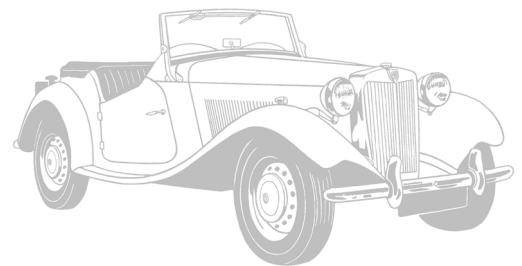
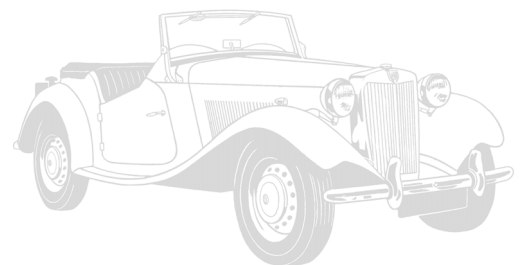
LUBRICANTS & FLUIDS

CAR CARE

SERVICING

TOOLS & TUNING

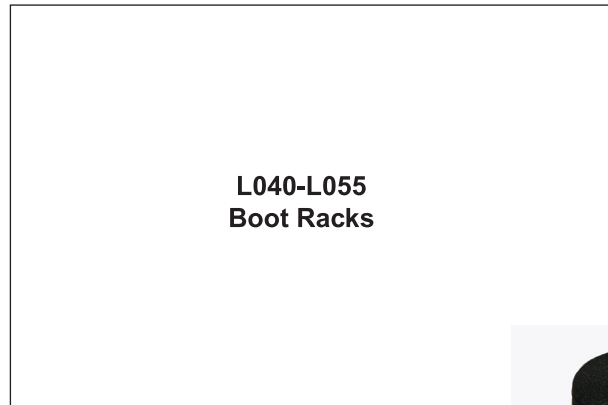
TERMS & CONDITIONS



MGOC Spares & Accessories, Octagon House, Swavesey, Cambridge CB24 4QZ
Tel: 01954 230928 and 01954 231318 Email: sales@mgocspares.co.uk



1



L040-L055
Boot Racks

13



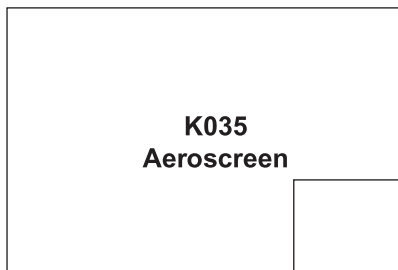
14



15

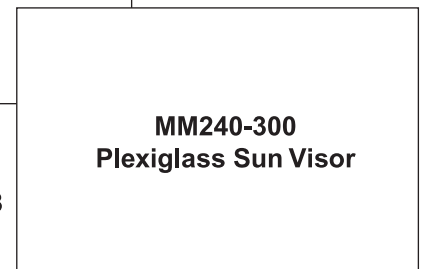


16



K035
Aeroscreen

17



MM240-300
Plexiglass Sun Visor

18

1 A301 Body Protector - Folia Tec A/R
Folia Tec self-adhesive film protects your paintwork from stone chips in low, vulnerable areas.

- 2 K150 Petrol Can - 5 Litre - Polished Stainless . . . 1
- 3 M124 Petrol Can - 5 Litre - Red Plastic 1
- 4 M125 Warning Triangle - E Approved 1
- 5 M151 Fire Extinguisher - Firemaster - 0.95Kg . . . 1
- 6 M152 Fire Extinguisher - Firemaster - 1Kg 1
- 7 M154 Fire Extinguisher - Firemaster - 2Kg 1
- 8 M155 Fire Extinguisher - Alloy Effect - 0.6Kg . . . 1
- 9 M126 Tow Rope - With Hooks 1
- 10 M110 Spare Bulb Kit - Halogen 1 For halogen headlamp equipped cars
- 10 M111 Spare Bulb Kit - P45T 1 For P45T headlamp equipped cars
- 11 M112 Headlamp Beam Deflector Mask Set 1

For continental touring with RHD car fitted with sealed beam or halogen headlamps

- 12 K015 GB Letters - Chrome 1 Letters fix by lugs to bodywork
- 12 K016 GB Letters - Stainless Steel 1 Self adhesive

Of great practical use at home or abroad, some of these touring accessories are madatory in many countries. Make sure you are not caught out!

- 13 L040 Boot Rack - Stainless Steel 1 TD
- 13 L045 Boot Rack - Chrome 1 TD
- 13 L050 Boot Rack - Stainless Steel 1 TF
- 13 L055 Boot Rack - Chrome 1 TF

Produced to the original classic designs for T Types, in a choice of chrome or stainless steel.

- 14 L101 Boot Rack Strap - With Buckle - 2.5m . . A/R
- 15 K017 Chrome Stoneguards - Pair 1

Chromium wire stoneguards to protect your 7" MG headlamps.

- 16 K715 Tax Disc Holder - Alloy - With MG Logo . . . 1
- 16 K716 Tax Disc Holder - Alloy - Without Logo . . . 1
- 17 K035 Aeroscreen - With Fixings A/R

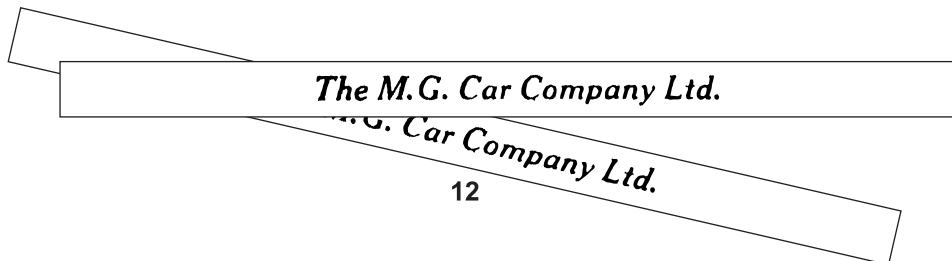
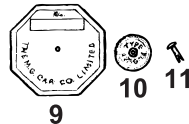
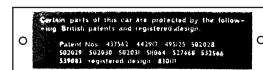
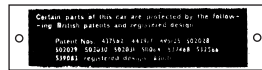
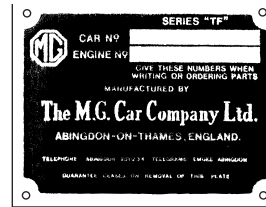
For that die hard, flies-in-your-teeth classic British sportscar experience! Faithful replica of the legendary Brooklands aeroscreen

- 18 MM240-300 Sun Visor - Green Tinted Plexiglass . . . A/R Practical period accessory
- Fitted using chrome brackets to the windscreen frame, without drilling. Supplied individually, complete with brackets

Maintaining Chromework:

The chromium plating on all club products is top quality and complies with BS1224, the industry standard for automotive products. To protect and preserve the chromium finish it is important that you apply Solvol Autochrome (A090) - BEFORE FITTING - and reapply at regular intervals. Wiping surfaces with a soft cloth soaked in Castrol DWF will also give excellent protection against corrosion in winter.

**Telephone: 01954 230928 Fax: 01954 231923, Email: sales@mgocspares.co.uk
Buy Online at www.mgocspares.co.uk**





**MG TD
&
MG TF**



1	BML????	Chassis Number Plate	1	TD
2	BML????	Chassis Number Plate	1	TF
3	BML????	Body Number Plate	1	
4	BML????	Patent Number Plate	1	TD
5	BML????	Patent Number Plate	1	TF
6	BML????	Plate - 'MG Made In England'	1	
7	BML????S	Screw - Identification Plates - Brass	10	
8	BML????N	Nut	10	
9	BML????	Plate - Engine Number - Blank	1	
10	BML????	Button - Engine Type - XPAG	1	TD, TF 1250cc
10	BML????	Button - Engine Type - XPEG	1	TF 1500cc
11	BML????R	Rivet - Number Plate and Button	1	
12	AAA5157K	Threshold Plate Set - 'The MG Car Co Ltd'	1	

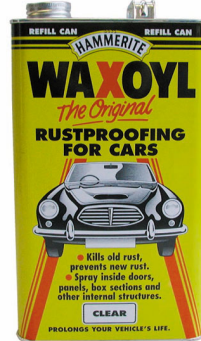
**Telephone: 01954 230928 Fax: 01954 231923, Email: sales@mgocspares.co.uk
Buy Online at www.mgocspares.co.uk**



1



2



3



4

5



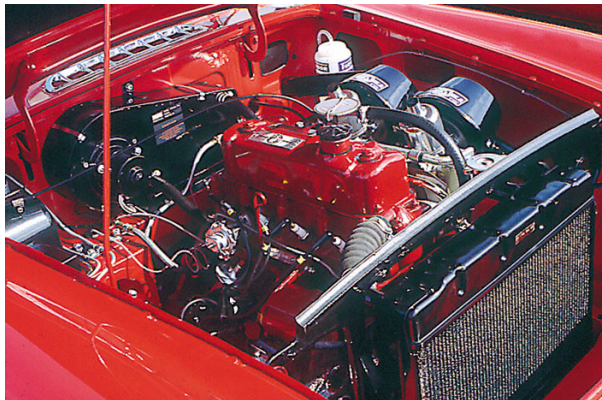
6



7



16



© 2009 MGOC Spares Ltd



8

9

10

11

12

13

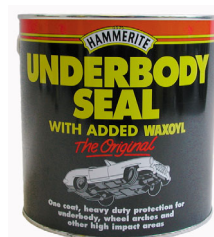
14



15



17



18

1 A001 Waxoyl Members' Pack A/R

The renowned anti-rust treatment, custom-packed for MG owners. The pack includes five litres of Waxoyl, cartridge can, pressure pump, spray gun and rubber grommets. Extra injection hole grommets for the car body are also available individually, if required, as are the applicators. Please contact MGOC Spares for details.

2 A001T Top Up Can - Waxoyl - 2.5 Litre A/R
 3 A002 Top Up Can - Waxoyl - 5 Litre A/R
 4 A004 Waxoyl Aerosol - 200ml A/R
 5 A005 Waxoyl Aerosol - 400ml A/R
 6 A010 Hammerite Paint - Black - 2.5 Litre Can A/R
 6 A011 Hammerite Paint - Silver - 2.5 Litre Can A/R
 6 A013 Hammerite Paint - Blue - 2.5 Litre Can A/R
 6 A014 Hammerite Smoothrite Paint - White - 2.5 Litre Can . . . A/R
 7 A017 Hammerite No.1 - Anti-Rust Primer - 2.5 Litre Can . . . A/R

Smooth primer with anti-rust properties. Suitable for most top coats.

8 A023 Hammerite Smooth Paint Aerosol - Blue - 400ml A/R
 9 A025 Hammerite Smooth Paint Aerosol - Yellow - 400ml . . . A/R
 10 A020 Hammerite Smooth Paint Aerosol - Black - 400ml . . . A/R
 11 A021 Hammerite Smooth Paint Aerosol - Silver - 400ml . . . A/R
 12 A022 Hammerite Smooth Paint Aerosol - Red - 400ml A/R
 13 A024 Hammerite Smooth Paint Aerosol - White - 400ml . . . A/R
 14 A026 Hammerite Smooth Paint Aerosol - Dk Green - 400ml A/R
 15 A028 Chrome Look Paint Aerosol - 300ml A/R
 16 A030 Engine Paint - Synthetic Enamel - Black A/R
 16 A031 Engine Paint - Synthetic Enamel - MG Red A/R
 16 A032 Engine Paint - Synthetic Enamel - BMC Green A/R
 16 A033 Engine Paint - Synthetic Enamel - MGC Green A/R
 17 C051 High Temperature Exhaust Paint - Black A/R
 17 C050 High Temperature Exhaust Paint - Silver A/R
 17 C052 High Temperature Exhaust Paint - Red A/R
 17 C053 High Temperature Exhaust Paint - White A/R
 18 A003 Underbody Seal - 2.5 Litre Can A/R

Thick, rust-resistant barrier for application under floor and to chassis etc.

**Telephone: 01954 230928 Fax: 01954 231923, Email: sales@mgocspares.co.uk
 Buy Online at www.mgocspares.co.uk**



MG TD & MG TF



1



2

3



4



5



6



7



8



9



10



11



12

© 2009 MGOC Spares Ltd



13



17



15



16

14



18



19



20



21



22



26



27



28



38

34

33

37

31

32

35

36



23



24



25



39



57



30



29

40



41

42

43

44

45

46

47



48

49



50

51

52

53

54

55



56

- 1 G770 Castrol Valvemaster Plus A/R
Reduces pinking and knocking or the need to retune the engine when using unleaded fuel (raises octane rating). Treats 250 litres of fuel.
- 2 G601 Castrol Classic XL 30 - 4.5 Litres A/R Monograde engine oil for earlier MGs
3 G611 Castrol Classic XL 30 - 25 Litres A/R Supplied with 1 pint jug and drum tap
XL 20w/50, XL30, XXL40 and GP50 are all available in home workshop 25 litre drums, supplied with quick-flow pouring tap and Castrol pouring jug. Free delivery to all UK Mainland customers when spending over £30.00.
- 4 G605 Castrol Classic R40 SAE40 - 4.5 Litres . A/R High performance castor-based engine oil with distinctive aroma
G657 Castrol Running In Oil - 5 Litres A/R First fill for remanufactured engines
5 G700 on Castrol Classic Pouring Jug A/R Half, one or two pint sizes, or set of three
6 G621 Castrol EP90 Gear Oil - 1 Litre A/R For gearboxes and differentials requiring SAE90
7 1631 Castrol LM Lithium Based Grease - 500g A/R Multi-purpose grease, ideal for wheel bearings etc.
8 1635/7318 Castrol LMX Lithium Based Grease - 400gA/R
High melting point multi-purpose grease, ideal for sustained high temperature work.
- 9 1645 Castrol Moly Grease - 500g A/R Molybdenum grease for heavy load applications, knng pins etc.
10 5900 Castrol Red Rubber Grease - 500g A/R
Prevents brake/clutch and suspension rubber components from swelling or hardening.
- 11 1726/8941 Castrol DWF Multi Purpose - 400ml A/R Superior water dispersant, penetrant and lubricant
12 1794/8941 Castrol Silicone Lubricant - 400ml A/R
General purpose spray designed specifically for plastics and rubber (and curtain tracks!)

In addition, lifestyle accessories each bearing the classic Castrol logo tell others that you use the best lubricants in your MG:

- 13 G750 Race Cap - Castrol A/R 100% cotton with embroidered logo
14 G725 on Lapel Badge - Wakefield Castrol A/R Available in different sizes - please contact MGOC Spares for details
15 G720 Key Fob - Wakefield Castrol A/R Enamelled chrome with leather fob
16 G752 Woven Race Decal - Castrol Classic ... A/R Cloth overall motif in 60s racing theme
17 G732 on T Shirt - Castrol Classic A/R Quality cotton in M, L and XL sizes. Contact MGOC Spares for details
18 STR720 on Mechanic's Overalls - Castrol Classic ... A/R
Made in white polyester and cotton, pre double-shrunk and with the Castrol Classic logo printed on front and rear. Available in sizes 36", 40", 44", 48" and 56".

You can choose from a range of brake/clutch fluids specially selected for road or competition use:

- 19 1774 Castrol - Response - Dot 4 - 1 Litre A/R
19 1774/6610 Castrol - Response - Dot 4 - 500ml A/R } Excellent anti-corrosion and anti-vapour lock characteristics
20 1775 Castrol - Response - Super Dot 4 - 1 Litre A/R } Covers Dot 4 and Dot 5.1 specifications. For high performance vehicles.
21 1767 Castrol - SRF - 1 Litre A/R } For competition use and extreme braking conditions
22 F195 Silicone Brake Fluid - 1 Litre A/R } Non-hygroscopic and non-paint stripping alternative to normal brake fluid
22 F196 Silicone Brake Fluid - 500ml A/R }
- 23 G231 Water Wetter - 335ml Bottle A/R
Lowers engine temperature by up to 15°C. One bottle treats 15 litres of coolant.
- 24 G230 Forlife Radiator Fluid A/R
Protects against corrosion and scale, preserves hoses and gives frost protection down to -42°C. Maintains properties for 10 years.
- 25 1729/8760 Castrol Anti-Freeze - 1 Litre A/R
For all year round use in cast iron or aluminium engines. A 3:1 mix will protect down to -17°C.
- 26 G649 Castrol Brake Cleaner - 400ml Aerosol . A/R
Fast drying and low odour solvent compatible with metal and non-metallic brake parts.
- 27 BCC500 S.U. - Carb Cleaner - Aerosol 500ml ... A/R Removes gums an varnishes. Frees choke butterflies
28 BDR125 S.U. - Damper Oil - 125ml A/R For use in damped S.U. and Zenith carburetters
29 C097 Exhaust Jointing Seal A/R
30 A140 Wellseal Jointing Compound - 100ml Tube A/R
Non-hardening, non-flammable engine building sealant, used by motor manufacturers.

- 31 A120 Blue Hylomar Sealant - 40g A/R
32 A121 Blue Hylomar Sealant - 100g A/R } Non-setting gasket and sealing compound resistant to oils and coolants
33 A125 Hermetite Red Sealant - 50g A/R } The original semi-hardening gasket joining compound
34 A130 Hermetite Instant Gasket - 38g A/R }
35 A131 Hermetite Instant Gasket - 85g A/R } Orange RTV silicone rubber making formed-in-place gaskets
36 A135 Hermetite Green Sealant - 40g A/R } Hard setting gasket compound
37 A150 Bearing Fitting Adhesive - 3ml A/R For retaining bearings, bushes and splines
38 A155 Nutlock Adhesive - 3ml A/R For threadlocking of nuts, bolts and screws

Forte Liquid Maintenance is a range of automotive problem solving treatments for professional or home workshop use, for classic and modern MGs:

- 39 A500 Forte Gas Treatment - 400ml A/R
39 A501 Forte Carb and Injector Cleaner - 400ml A/R
39 A502 Forte Diesel Conditioner - 400ml A/R
39 A505 Forte Diff and Gear Treatment - 125ml . A/R
39 A507 Forte Seal Conditioner - 125ml A/R
39 A510 Forte Motor Flush - 400ml A/R
39 A512 Forte Oil Treatment - 400ml A/R
39 A513 Forte Oil Fortifier - 400ml A/R

39	A514	Forte Top End Treatment - 400ml	A/R
39	A520	Forte Radiator Stop Leak - 500ml	A/R
39	A521	Forte Cooling System Flush - 500ml	A/R
39	A522	Forte Cooling Conditioner - 500ml	A/R
39	A530	Forte Auto Gearbox Treatment - 125ml	A/R
39	A540	Forte Bio Degreaser - 400ml	A/R
39	A550	Forte Power Steering Treatment - 75ml	A/R
39	A560	Forte Air Intake Cleaner - 400ml	A/R
39	A570	Forte Air Conditioning Treatment - 200ml	A/R

Keep your hood and tonneau cover like new with a hood care kit, comprising ultraproofer, shampoo, cleaner, colour reviver, protector and window polish.

40	A100A	Hood Care Kit - Renovo - Black	1	
41	A104	Hood Vinyl Ultraproof Protector - 500ml	A/R	
42	A103	Hood Vinyl Cleaner - 500ml	A/R	
43	A109	Hood Fabric Shampoo - 500ml	A/R	
44	A110	Hood Fabric Colour Reviver - Black - 1 L	A/R	
45	A116	Hood Window Polish - 50ml	A/R	
46	A115	Hood Window Polish - 100ml	A/R	
47	A105	Hood Fabric Ultraproof Protector - 1 Litre	A/R	
48	A102	Hood Waterproofer - Clear Silicone	A/R	Not included in hood care kits

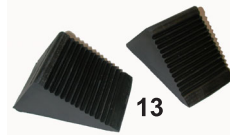
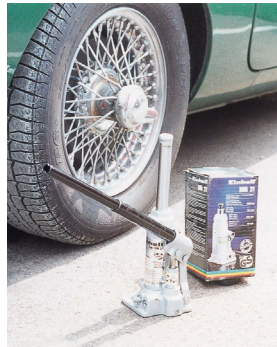
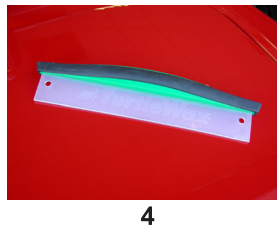
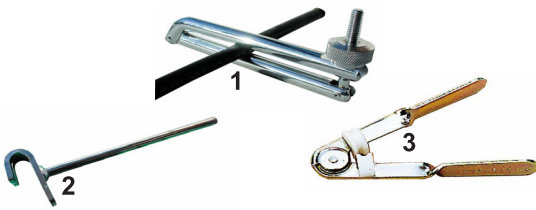
The Turtle Wax Platinum Series range of car care products is highly recommended and is available as individual products or as a valeting kit comprising car wax, car wash, tar, tree sap and insect remover, wheel cleaner (chrome friendly), tyre dressing and cockpit shine, each in 500ml containers. Further Turtle Wax car care products are also available for chrome polishing, leather and other upholstery cleaning and conditioning etc. Please contact MGOC Spares for details.

49	A400	Club Car Valeting Kit	A/R
50	A435	Tyre Dressing - Turtle Wax - 500ml	A/R
51	A450	Cockpit Shine - Turtle Wax - 500ml	A/R
52	A460	Tar, Tree Sap and Insect Remover - 500ml	A/R
53	A405	Car Wax - Turtle Wax Platinum - 500ml	A/R
54	A445	Wheel Cleaner - Turtle Wax - 500ml	A/R
55	A425	Car Wash - Turtle Wax Platinum - 500ml	A/R
56	A095	Nano 8 Alloy Wax - 500ml	A/R

Cleans, polishes and protects alloy, chrome and highly polished wheels, all in one

57	A090	Solvol Autochrome Metal Polish - 100g	A/R	The classic chrome cleaner. Also restores and polishes
----	------	---	-----	--

**Telephone: 01954 230928 Fax: 01954 231923, Email: sales@mgocspares.co.uk
Buy Online at www.mgocspares.co.uk**



- | | | | | |
|---|---------|--|--------|---|
| 1 | F199 | Brake Hose Clamp |1 | |
| 2 | T4 | Girling Shoe Horn |1 | Brake shoe lever tool makes easy work of brake shoe replacement |
| 3 | F197 | Pipe Bending Tool - Small |1 | |
| 3 | F198 | Pipe Bending Tool - Large |1 | |
| 4 | A063 | Squeegee - Silicone |1 | |
| The silicone squeegee effortlessly moulds itself to the contours of your car, removes water in one-third the time of a chamois leather, and will not scratch your car's finish. Also great for clearing car windows fast on damp mornings. | | | | |
| 5 | F305 | Car Polisher |1 | |
| This mains-operated orbital motion car polisher has a 24cm polishing head supplied with a cotton bonnet for applying polish and a soft wool bonnet for buffing. This is the effortless way to restore your paintwork to a showroom shine. | | | | |
| 6 | Z015 | Carburettor Tuning Tool Kit - SU |1 | Original style set of exactly the right tools for your carburettors |
| 7 | Z096 | Scissor Jack - 1000Kg capacity |1 | Lift height from 180mm to 350mm |
| 8 | Z090 | Trolley Jack - 2 Ton Capacity |1 | Ideal for home workshop use |
| 9 | Z094 | Axle Stands - Pair - 1500Kg Capacity |1 | Adjustable to maximum height of 370mm |
| 10 | Z091 | Bottle Jack - Hydraulic - 2000Kg Capacity |1 | Lift height from 181mm to 346mm |
| 11 | Z093 | Extending Wheel Nut Wrench |1 | Extends to 530mm for more torque and ease of operation |
| 12 | Z092 | Wheel Nut Wrench - Four Way |1 | |
| 13 | Z097 | Wheel Chocks - Pair |1 | For increased safety when jack is used |
| 14 | Z195 | Tyre Gauge - Angled Fitment |1 | Accurate tyre pressure measurement up to 60 p.s.i. |
| 15 | Z095 | Foot Pump |1 | |
| 16 | Z120 on | Mechanics Mate Wing Cover - Non-Slip A/R |1 | |
| Mechanics Mate covers are made from machine-washable nylon with a non-slip padded backing and featuring an MG logo. Choose from 76 or 120cm long versions - please contact MGOC Spares for details. | | | | |
| 17 | Z222 | Flexi Driver - Jubilee Hose Clip Fastening |1 | Easy way to deal with hard-to-get-to Jubilee clips (worm drive clips) |
| 18 | Z250 | Socket Set - 3/8" Drive - 42 Piece Set |1 | |
| 19 | Z215 | Crimp Terminal Set - 150 Pieces |1 | Includes selection of ring, spade, fork and tube connectors |
| 20 | Z223 | Punch Plier - Revolving 6 Size Punch Head |1 | For piercings for hood fixings and in other fabrics, plastics and rubbers |
| 21 | Z224 | Rivet Gun |1 | For most break-stem and pop rivets in automotive use |
| 22 | Z225 | Grease Gun - 300bar/4350psi pressure |1 | For lubrication of steering joints, handbrake cable etc. |
| 23 | Z226 | Oil Can - Force Feed |1 | |
| 24 | Z200 | MG Tool Roll - Includes 15 Tools |1 | |
| Specially selected for MG use, the canvas 15 compartment tool roll contains the following quality tools: 7" combination pliers, 6 imperial spanners in the most commonly used sizes, spark plug wrench, spark plug brush, Posidrive and slotted screwdrivers, feeler gauge set, tyre gauge, circuit tester and adjustable wrench. | | | | |
| MGOC Spares offer the range of Gunsons tuning products to help tune your MG for peak economy and performance: | | | | |
| 25 | Z013 | Tappet Adjuster - Gunsons 'Clik-Adjust' |1 | Micrometer tappet adjuster for absolutely precise clearance |
| 26 | Z011 | Advance Xenon Timing Light - Gunsons |1 | Stroboscopic light powered by the car battery for perfect dynamic timing |
| 27 | Z010 | Gastester - Gunsons |1 | Analyses exhaust CO level |
| 28 | Z004 | Carbalancer - Gunsons |1 | Helps equalise air flow through multiple carburettors |
| 29 | Z005 | Colortune - Gunsons |1 | Use Colortune to ensure perfect air/fuel mixture |
| | Z005A | Adaptor Kit - 10mm - Colortune |1 | |
| | Z005B | Adaptor Kit - 12mm - Colortune |1 | |
| | Z005E | Adaptor Kit - 18mm - Colortune |1 | |
| 30 | Z009 | Hi-Gauge - Gunsons |1 | For compression testing cylinders |
| 31 | Z001 | Lo-Gauge - Gunsons |1 | |
| This useful vacuum gauge has several scales for checking fuel pumps, multiple carburettors, engine economy etc. | | | | |
| 32 | Z012 | Eezibleed - Gunsons |1 | Automatic hydraulic brake and clutch bleeding kit |

**Telephone: 01954 230928 Fax: 01954 231923, Email: sales@mgocspares.co.uk
Buy Online at www.mgocspares.co.uk**

TERMS & CONDITIONS OF SALE

1. All orders must be paid for prior to despatch unless other arrangements have been made.
2. All products supplied carry the manufacturer's warranty. This does not affect your statutory rights. When notifying a claim for faulty products, the original invoice number must be quoted.
3. All parts offered subject to availability. We reserve the right to alter prices without notice. All part numbers, illustrations and photographs used in our catalogues are intended for reference/identification purposes only, and are not necessarily an exact representation of the goods supplied. Whilst we make every effort to ensure the accuracy of product descriptions in our catalogues, they are based upon information supplied by the manufacturer/distributor at the time of publication.
4. All mail order parts are insured in transit either by ourselves, or our appointed carrier. Claims for shortages or damage must be notified to us within 24 hours of timed receipt of order.
5. We are unable to replace damaged goods if they have been signed for "Received in Good Condition". Do not sign until you have verified the condition of the consignment.
6. Retention of goods for a period of seven days or fitment will be taken as acceptance of the above conditions.
7. All goods supplied remain the property of MGOC (Spares) Ltd, until paid for in full.

WARRANTY

All products are fully warranted against defects in materials and workmanship. Please contact us immediately if any problem occurs within the warranty period. (12 months from the date of invoice) Claims are limited to the cost of the warranted component and do not extend to cover garage labour, delivery or any other consequential costs. No warranty claim will be accepted if failure is caused by misuse, neglect, overheating (engines), incorrect installation, or failure of a related component. Any replacement under warranty will have the benefit of the outstanding balance of the warranty given with original product. With any claim or correspondence, a copy of the purchase invoice must be produced. The warranty is in addition to, and does not detract from your statutory right as a consumer.

OTHER RETURNS FOR CREDIT OR EXCHANGE

Where we have correctly supplied a part as ordered, but find it is not the one you really needed, you may return it for exchange. If you require credit instead of exchange, there is a returns handling charge (usually 15%) to cover administration and stores costs. This charge is waived if the value of the return is offset against another order. The original invoice must accompany the goods returned and be within 1 month of purchase. Every effort is made to process returns as quickly and efficiently as possible, though in busy periods this could take up to 2 weeks. Please supply as much information as possible when making a return i.e. Membership No, Invoice No, reason for return etc, otherwise a delay may be incurred.

EXCHANGE DEPOSITS

When reconditioned or new products are sold on an exchange basis, an exchange deposit (sometimes called a surcharge) is applied. This is refunded to you when your old unit is received by us and checked to establish its suitability for reconditioning. The system allows you to have exchange replacement parts fitted thereby reducing garage bills for specialist reconditioning, and minimises the time your vehicle is off the road. Exchange Deposits are refunded in full except where returned components are incomplete, cracked or broken, thereby rendering them unserviceable for reconditioning. In such cases we reserve the right to retain all or part of the exchange deposit. When returning your old unit, always label it with your name, address, invoice number, and any exchange label provided for that purpose. Make sure old units are drained of oil, water, brake fluid etc. and packed properly for transport. Owing to the rarity of a certain few MG components, these can only be exchanged on a "one for one" basis. It may be that your component will be required for reconditioning and returned to you upon completion.

Continue ►

MG TD & TF

ENGINE

ENGINE BLOCK
INTERNAL ENGINE
CYLINDER HEAD
WATER PUMP, HOSES & FAN
OIL PUMP & FILTER
OIL COOLER
ENGINE ELECTRICS
ENGINE CONTROLS
ENGINE MOUNTINGS

FUEL

CARBURETTORS
AIR FILTERS
INLET MANIFOLDS
ENGINE BREATHING
FUEL TANKS
FUEL PUMPS
FUEL LINE & HOSES

COOLING

RADIATORS
COOLING HOSES

EXHAUST

SYSTEMS
MANIFOLDS
FITTING KITS
BANDAGE
PASTE
PAINT

TRANSMISSION

EXTERNAL GEARBOX
GEARBOX MOUNTINGS
INTERNAL GEARBOX

DRIVE TRAIN

CLUTCH
CLUTCH MECHANISM
PROPSHAFT
REAR AXLE

SUSPENSION

FRONT SPRINGS & WISHBONES
FRONT SHOCK ABSORBERS
STUB AXLES
REAR SPRINGS
REAR SHOCK ABSORBERS

STEERING

- STEERING WHEELS
- STEERING COLUMN
- STEERING RACK

BRAKES

- FRONT DRUMS & SHOES
- REAR DRUMS & SHOES
- BRAKE TOOLS
- HANDBRAKE
- BRAKE PEDAL
- MASTER CYLINDER
- BRAKE PIPES & HOSES

WHEELS

- WHEELS & TYRES
- WHEEL NUTS
- SPINNERS
- JACK & TOOL KIT

LAMPS

- HEADLAMPS
- FRONT & SIDE LAMPS
- FOG & DRIVING LAMPS
- REAR LAMPS
- NUMBER PLATE LAMPS
- REAR REFLECTORS

WIPERS

- WIPER ARMS & BLADES
- WIPER MOTORS

ELECTRICS

- SPEEDOMETER
- REV COUNTER
- SPEEDOMETER CABLES
- AUXILIARY GAUGES
- SWITCHES
- HORNS
- CONTROL BOXES & FUSES
- LOOMS
- BATTERIES
- BATTERY CABLES

EXTERNAL BODY

- RADIATOR GRILLES
- BONNET FITTINGS & BADGES
- BODY FITTINGS
- DOOR FITTINGS & LOCKS

ACCESSORY BADGES
BUMPERS
NUMBER PLATE BACKINGS
MIRRORS
WINDSCREEN

INTERNAL BODY

DASHBOARDS
INSTRUMENT PANEL
INTERIOR TRIM
SEATS & SEAT COVERS
CARPET SETS

WEATHER EQUIPMENT

HOODS & HOOD FRAMES
TONNEAU COVERS
HOOD CARE
SIDE SCREENS
CAR COVERS
BODY SEALING

ACCESSORIES

TOURING ACCESSORIES
IDENTIFICATION PLATES
PAINTS & UNDERSEALS
LUBRICANTS & FLUIDS
CAR CARE
SERVICING
TOOLS & TUNING